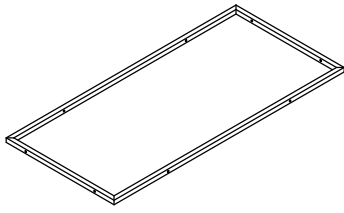
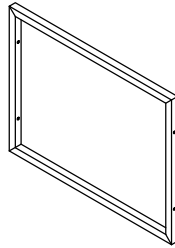


ASSEMBLY INSTRUCTION

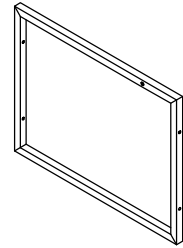
A/1PC



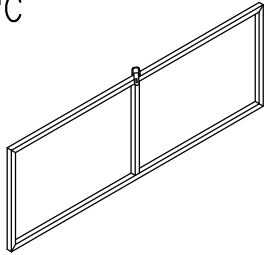
B/1PC



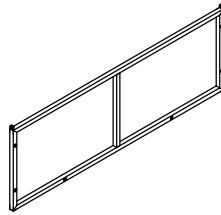
C/1PC



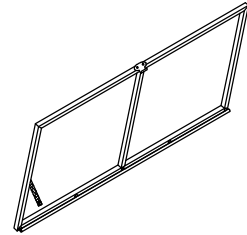
D/1PC



E/1PC



F/1PC



G/3PCS



M6*15

H/16PCS



M6*35

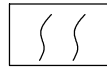
J/18PCS



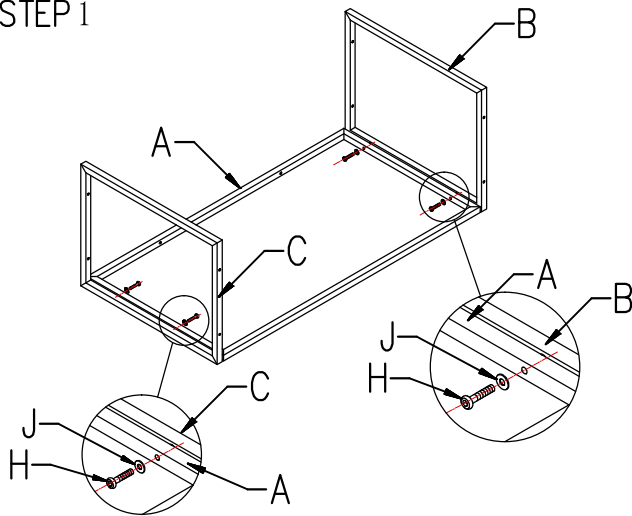
AA/1PC



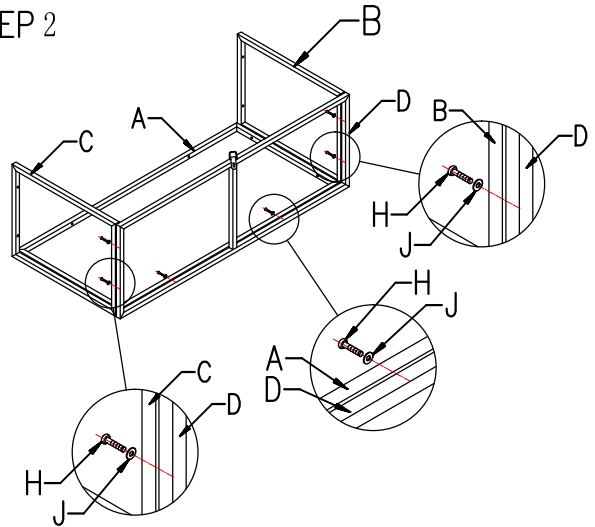
BB/1PC



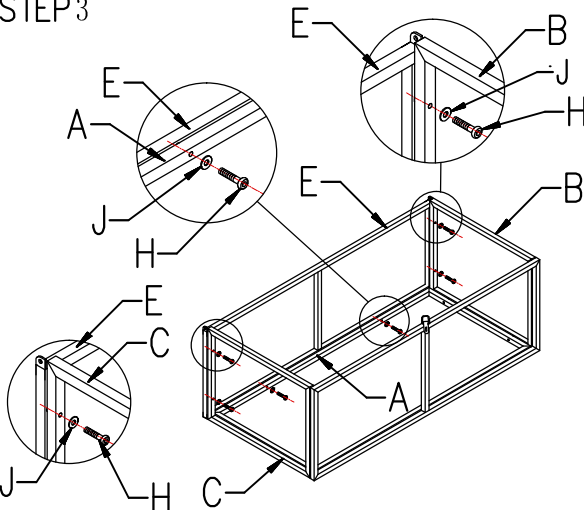
STEP 1



STEP 2



STEP 3



STEP 4

