

# FXA

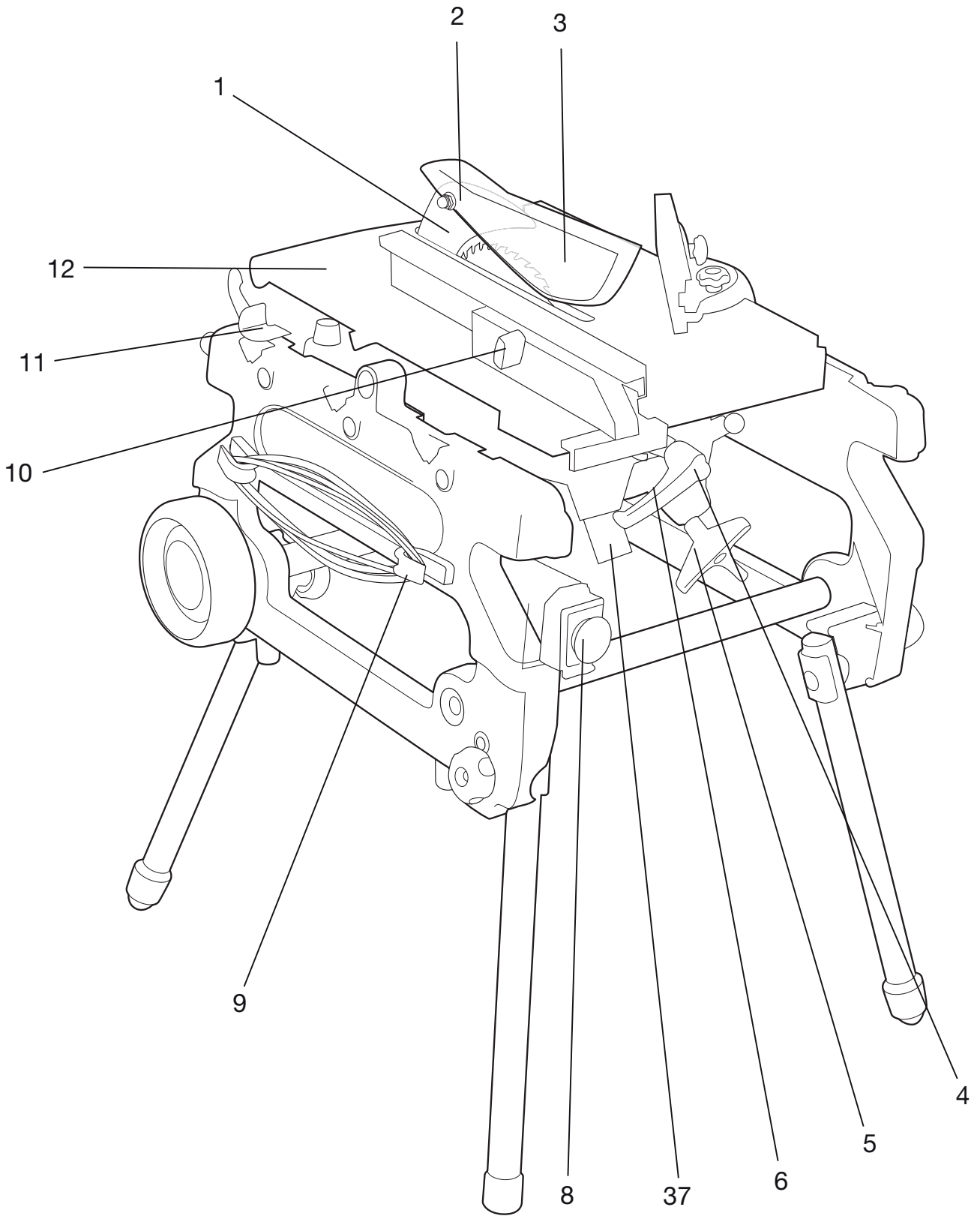


## FXA92502

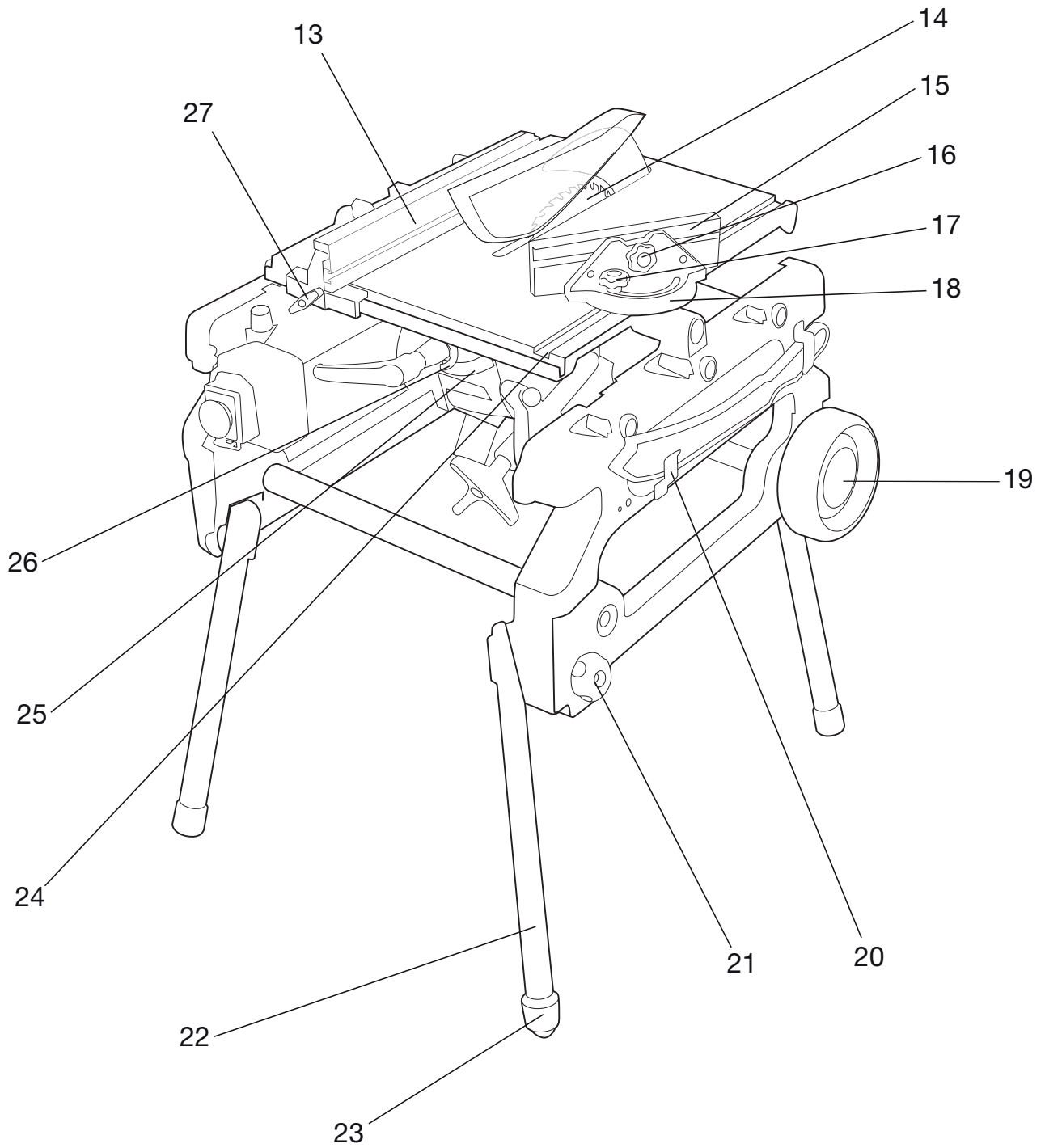
<b>Instruction manual (Original instructions)</b>	<b>GB</b>	pg 9-19
<b>Käyttöohje (Alkuperäisten ohjeiden käänös)</b>	<b>FI</b>	pg 20-30
<b>Bruksanvisning (Översättning av originalinstruktionerna)</b>	<b>SE</b>	pg 31-41
<b>Bruksanvisning (Oversettelse av de opprinnelige instruksjonene)</b>	<b>NO</b>	pg 42-52
<b>Kasutusjuhend (Tõlgitud originaal juhendist)</b>	<b>EE</b>	pg 53-64
<b>Instrukcijas (Tulkojums no oriģinālvalodas)</b>	<b>LV</b>	pg 65-74
<b>Instaliavimo instrukcijos (Vertimas originali instrukcija)</b>	<b>LT</b>	pg 75-86

---

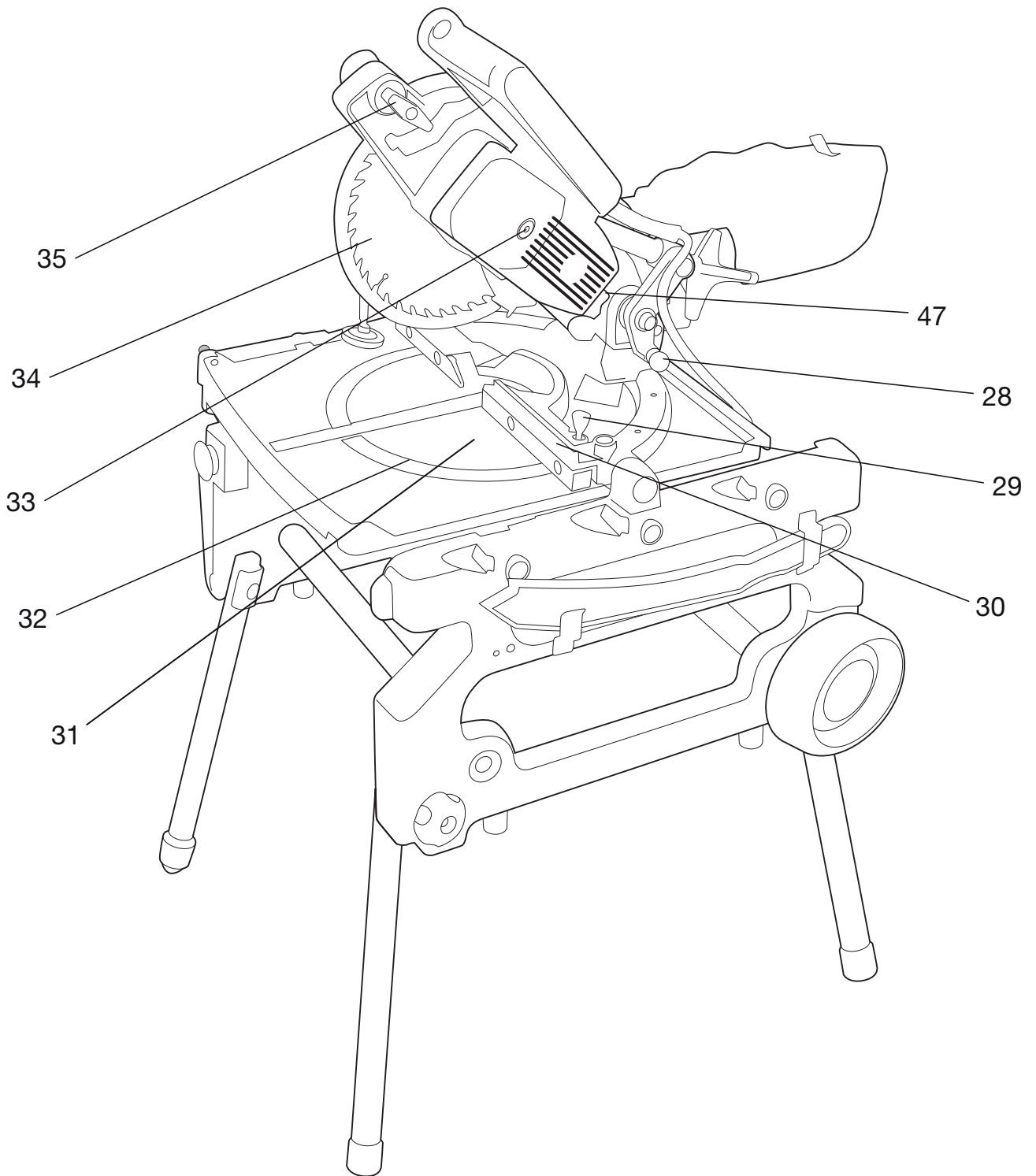
(1)



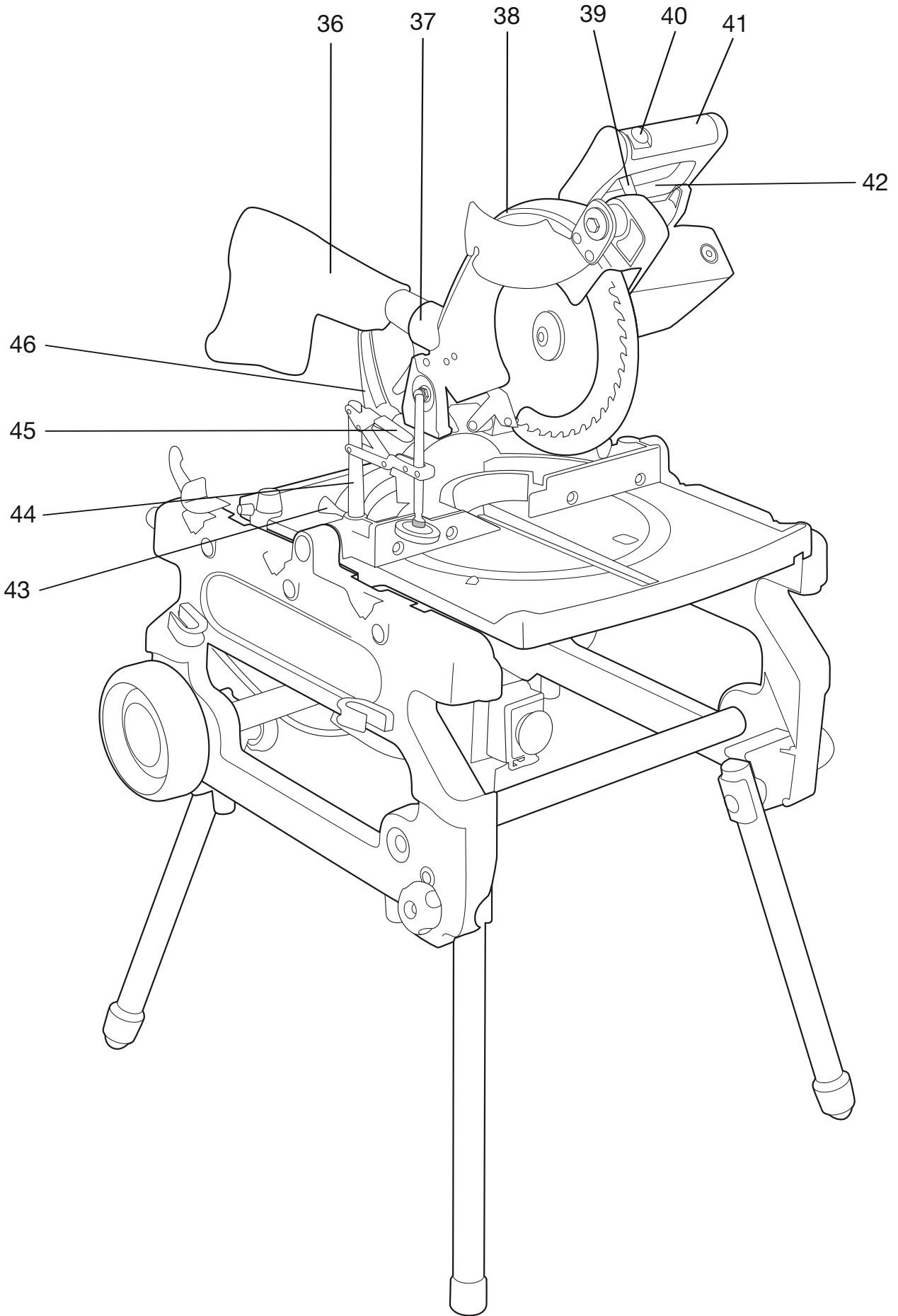
(1A)

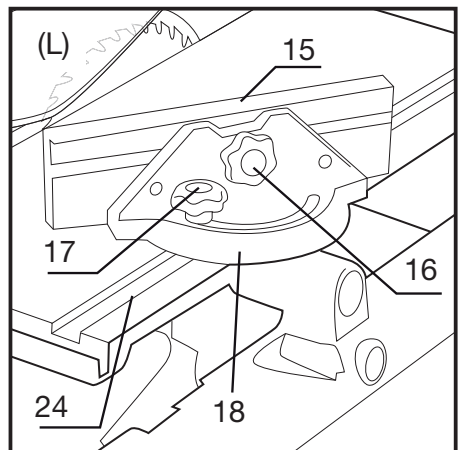
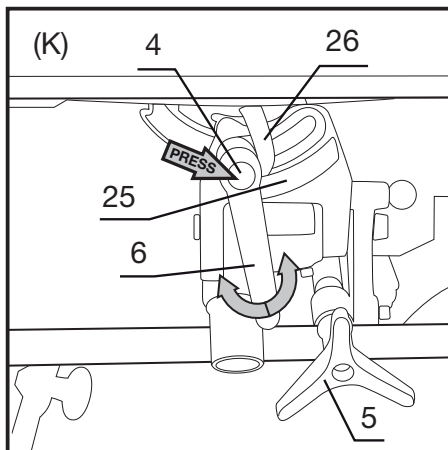
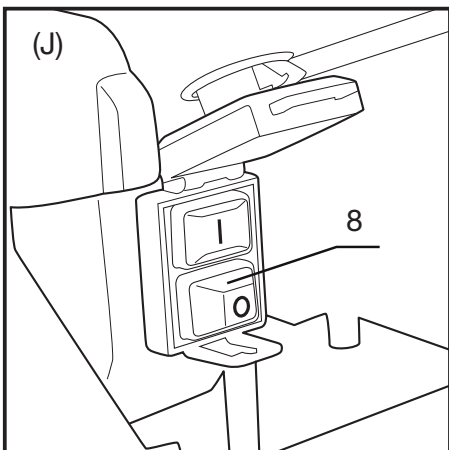
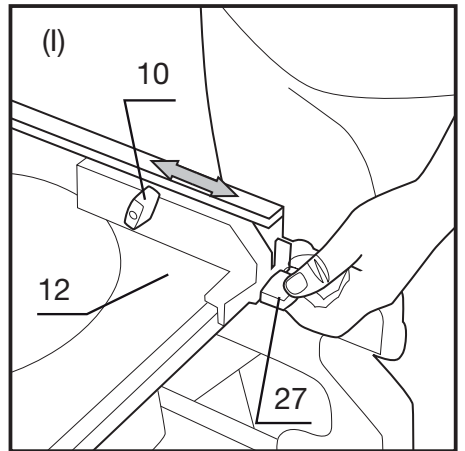
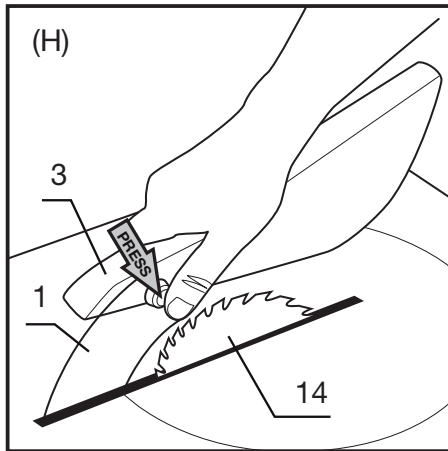
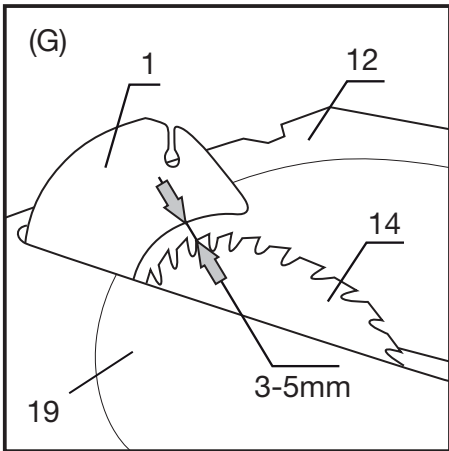
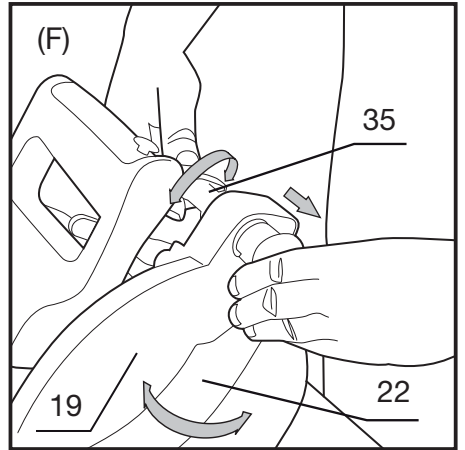
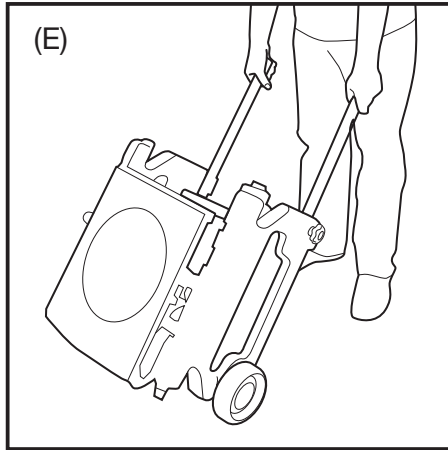
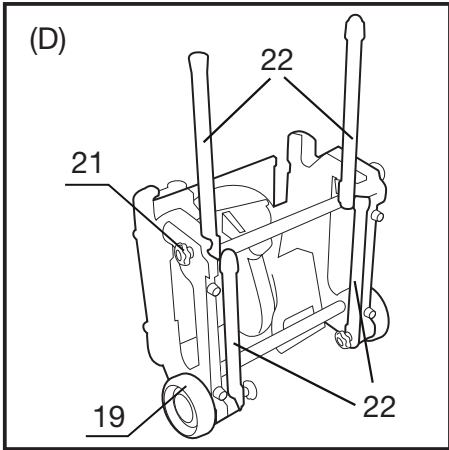
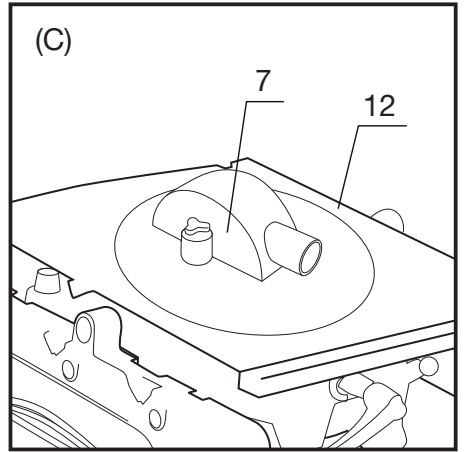
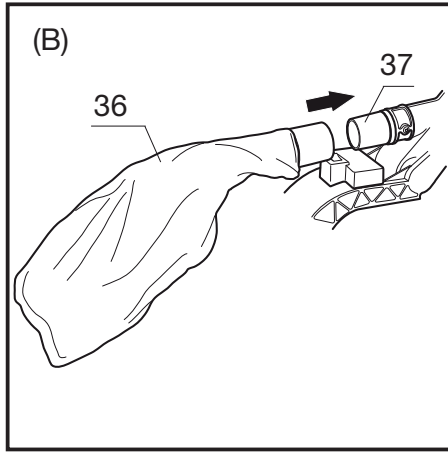
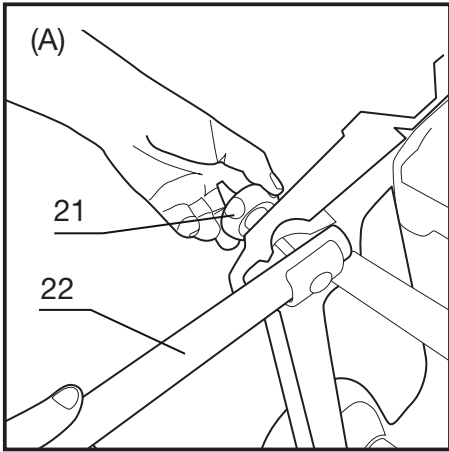


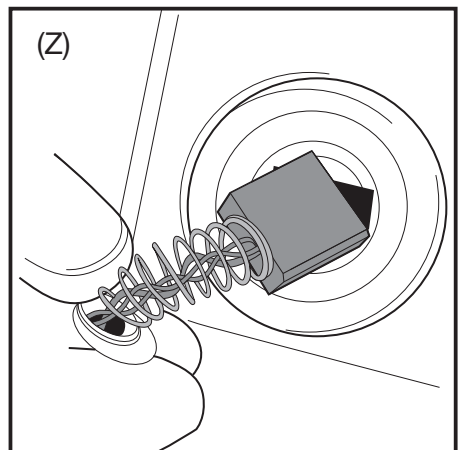
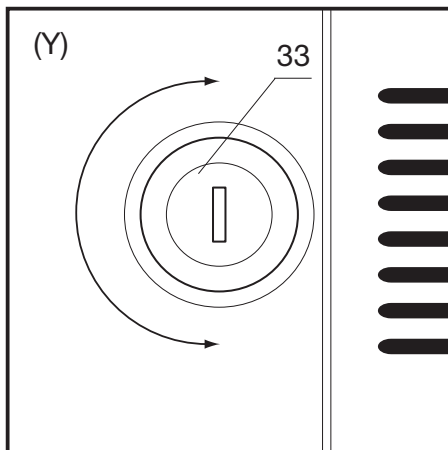
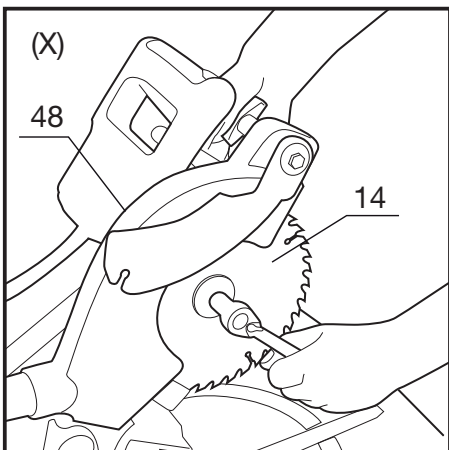
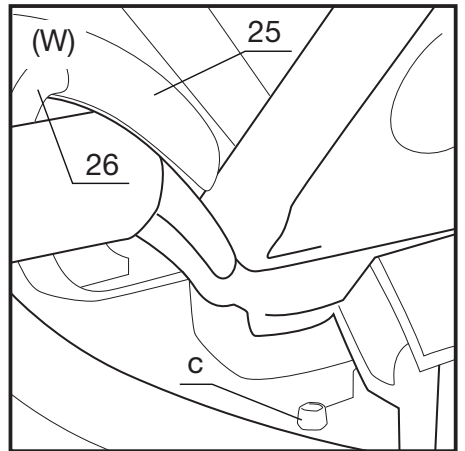
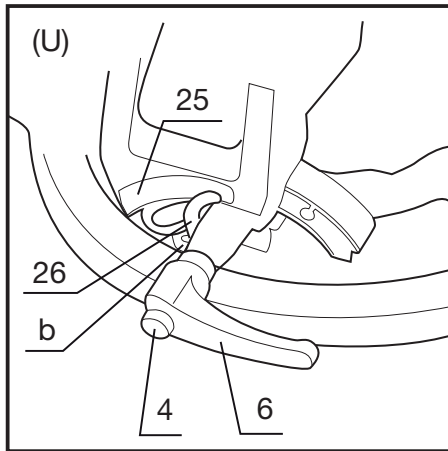
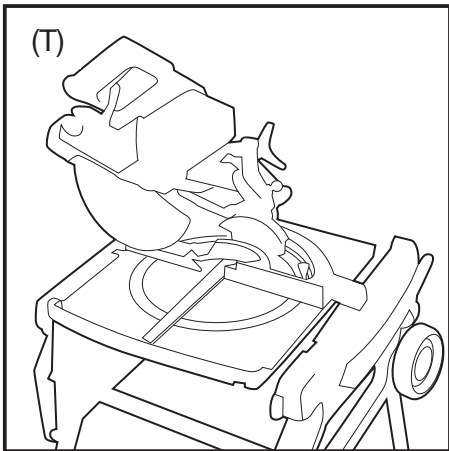
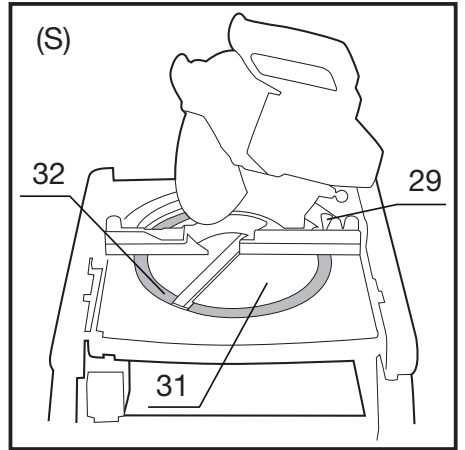
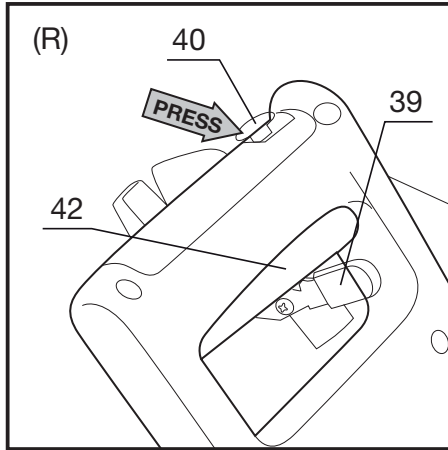
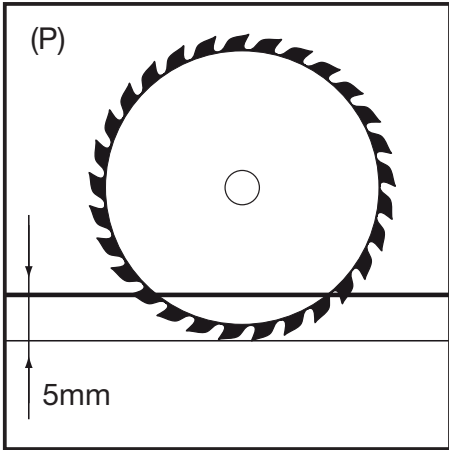
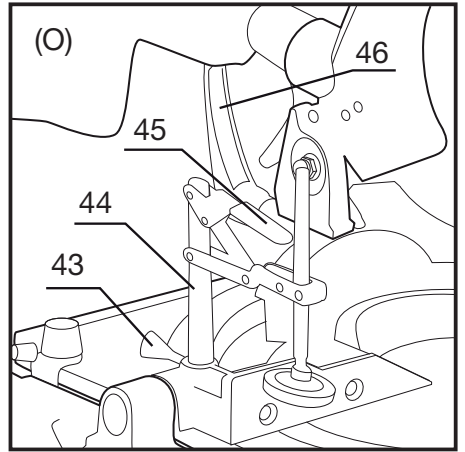
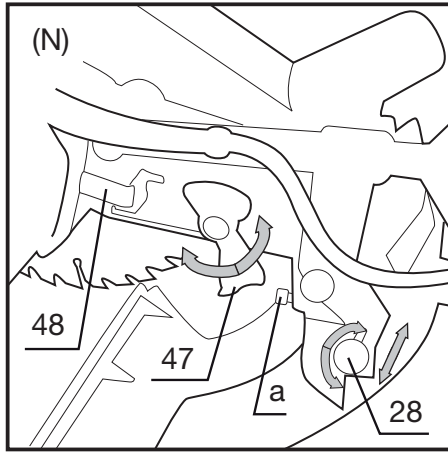
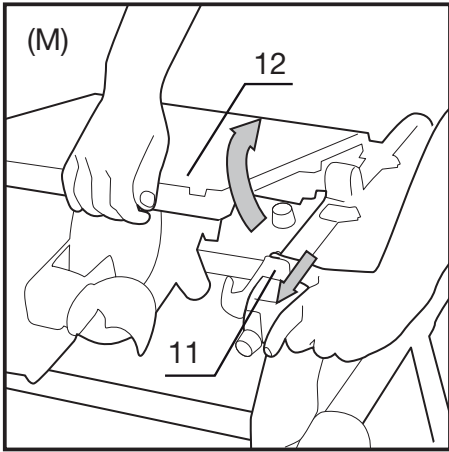
(1B)



(1C)







<b>IMPORTANT!</b>	Read all safety warnings, instructions, illustrations and specifications provided with this power tool.
<b>TÄRKEÄÄ!</b>	Lue tarkkaavaisesti kaikki tämän työkalun kanssa toimitetut varoitukset, ohjeet ja spesifikaatiot, ja katso lisäksi kuvat.
<b>VIKTIGT!</b>	Läs uppmärksamt alla varningar, instruktioner och specifikationer som bifogas med detta verktyg och studera bilderna.
<b>VIKTIG!</b>	Les nøye gjennom alle advarslene, instruksene og spesifikasjonene som følger med verktøyet, og se på tegningene.
<b>TÄHTIS!</b>	Lugege läbi kõik elektrilise tööriista kohta esitatud ohuhoiatused ning tutvuge tööriista jooniste ja tehniliste andmetega.
<b>SVARĪGI!</b>	Izlasiet visus drošības brīdinājumus, instrukcijas, specifikācijas un apskatiet attēlus šī elektroinstrumenta dokumentācijā.
<b>SVARBU!</b>	Perskaitykite visus saugos įspėjimus, visas instrukcijas, paveikslėlius ir techninius reikalavimus, pateikiamus su šiuo elektriniu įrankiu.



## INTRODUCTION

Thankyou for purchasing this product which has passed through our extensive quality assurance process. Every care has been taken to ensure that it reaches you in perfect condition.

## SAFETY FIRST

Before attempting to operate this power tool the following basic safety precautions should always be taken to reduce the risk of fire, electric shock and personal injury. It is important to read the instruction manual to understand the application, limitations and potential hazards associated with this tool.

## CERTIFICATE OF GUARANTEE

This product is guaranteed for a period of 2 Years, with effect from the date of purchase and applies only to the original purchaser. This guarantee only applies to defects arising from, defective materials and or faulty workmanship that become evident during the guarantee period only and does not include consumable items. The manufacturer will repair or replace the product at their discretion subject to the following. That the product has been used in accordance with the guide lines as detailed in the product manual and that it has not been subjected to misuse, abuse or used for a purpose for which it was not intended. That it has not been taken apart or tampered with in any way whatsoever or has been serviced by unauthorised persons or has been used for hire purposes. Transit damage is excluded from this guarantee, for such damage the transport company is responsible. Claims made under this guarantee must be made in the first instance, directly to the retailer within the guarantee period. Only under exceptional circumstances should the product be returned to the manufacturer. In these case it shall be the consumer's responsibility to return the product at their cost ensuring that the product is adequately packed to prevent transit damage and must be accompanied with a brief description of the fault and a copy of the receipt or other proof of purchase. The manufacturer shall not be liable for any special, exemplary, direct, indirect, incidental, or consequential loss or damage under this guarantee. This guarantee is in addition to and does not affect any rights, which the consumer may have by virtue of the Sale of Goods Act 1973 as amended 1975 and 1999.

**The power tool is intended for domestic use only. The power tool is not suitable and is not intended for commercial or professional use.**

**The warranty does not cover defects and damage to power tools resulting from use for purposes other than domestic use, in particular as a result of pushing through and abuse.**

"Warranty is voided in case the tool is damaged due to one of the conditions below:

1. Misuse of product or negligence of proper maintenance of product,
2. Commercial, professional or rental use of product,
3. Repair done by an unauthorized service company.
4. Damages caused by external objects or substances."

## STATUTORY RIGHTS

This guarantee is in addition to and in no way affects your statutory rights.

## PRODUCT DISPOSAL

When this product reaches the end of it's life or is disposed of for any other reason, it must not be disposed of in household waste. In order to preserve natural resources, and to minimise adverse environmental impact, please recycle or dispose of this product in an environmentally friendly way. It should be taken to your local waste recycling centre or other authorised collection and disposal facility.

If in doubt consult your local waste authority for information regarding available recycling and / or disposal options.

## GENERAL SAFETY RULES

**WARNING!** Read all instructions Failure to follow all instructions listed below may result in electric shock, fire and/or serious injury. The term "power tool" in all of the warnings listed below refers to your mains operated (corded) power tool or battery operated (cordless) power tool.

## SAVE THESE INSTRUCTIONS

### 1) WORK AREA

- a) **Keep work area clean and well lit.** Cluttered and dark areas invite accidents.
- b) **Do not operate power tools in explosive atmospheres, such as in the presence of flammable liquids, gases or dust.** Power tools create sparks which may ignite the dust or fumes.
- c) **Keep children and bystanders away while operating a power tool.** Distractions can cause you to lose control.

### 2) ELECTRICAL SAFETY

- a) **Power tool plugs must match the outlet. Never modify the plug in any way. Do not use any adapter plugs with earthed (grounded) power tools.** Unmodified plugs and matching outlets will reduce risk of electric shock.
- b) **Avoid body contact with earthed or grounded surfaces such as pipes, radiators, ranges and refrigerators.**  
There is an increased risk of electric shock if your body is earthed or grounded.
- c) **Do not expose power tools to rain or wet conditions.** Water entering a power tool will increase the risk of electric shock.
- d) **Do not abuse the cord. Never use the cord for carrying, pulling or unplugging the power tool. Keep cord away from heat, oil, sharp edges or moving parts.** Damaged or entangled cords increase the risk of electric shock.
- e) **When operating a power tool outdoors, use an extension cord suitable for outdoor use.** Use of a cord suitable for outdoor use reduces the risk of electric shock.

### 3) PERSONAL SAFETY

- a) **Stay alert, watch what you are doing and use common sense when operating a power tool. Do not use a power tool while you are tired or under the influence of drugs, alcohol or medication.** A moment of inattention while operating power tools may result in serious personal injury.
- b) **Use safety equipment. Always wear eye protection.** Safety equipment such as dust mask, non-skid safety shoes, hard hat, or hearing protection used for appropriate conditions will reduce personal injuries.
- c) **Avoid accidental starting. Ensure the switch is in the off position before plugging in.** Carrying power tools with your finger on the switch or plugging in power tools that have the switch on invites accidents.
- d) **Remove any adjusting key or wrench before turning the power tool on.**  
A wrench or a key left attached to a rotating part of the power tool may result in personal injury.
- e) **Do not overreach. Keep proper footing and balance at all times.** This enables better control of the power tool in unexpected situations.
- f) **Dress properly. Do not wear loose clothing or jewellery. Keep your hair, clothing and gloves away from moving parts.** Loose clothes, jewellery or long hair can be caught in moving parts.
- g) **If devices are provided for the connection of dust extraction and collection facilities, ensure these are connected and properly used.** Use of these devices can reduce dust related hazards.

### 4) POWER TOOL USE AND CARE

- a) **Do not force the power tool. Use the correct power tool for your application.** The correct power tool will do the job better and safer at the rate for which it was designed.
- b) **Do not use the power tool if the switch does not turn it on and off.** Any power tool that cannot be controlled with the switch is dangerous and must be repaired.
- c) **Disconnect the plug from the power source before making any adjustments, changing accessories, or storing power tools.** Such preventive safety measures reduce the risk of starting the power tool accidentally.
- d) **Store idle power tools out of the reach of children and do not allow persons unfamiliar with the power tool or these instructions to operate the power tool.** Power tools are dangerous in the hands of untrained users.
- e) **Maintain power tools. Check for misalignment or binding of moving parts, breakage of parts and any other condition that may affect the power tools operation. If damaged, have the power tool repaired before use.** Many accidents are caused by poorly maintained power tools.

- f) **Keep cutting tools sharp and clean.** Properly maintained cutting tools with sharp cutting edges are less likely to bind and are easier to control.
- g) **Use the power tool, accessories and tool bits etc., in accordance with these instructions and in the manner intended for the particular type of power tool, taking into account the working conditions and the work to be performed.** Use of the power tool for operations different from intended could result in a hazardous situation.

### 5) SERVICE

- a) **Have your power tool serviced by a qualified repair person using only identical replacement parts.** This will ensure that the safety of the power tool is maintained.

### ADDITIONAL SAFETY RULES FOR TOOL

#### For both mitre saw mode and table saw (bench saw) mode:

- 1 Wear eye and hearing protection. Other suitable personal protective equipment should be worn.
- 2 NEVER wear gloves during operation except for replacing saw blades or handling rough material before operation.
- 3 Keep the floor area around the tool level well maintained and free of loose materials e.g. chips and cut-offs.
- 4 Do not operate saw without guards and riving knife in place. Check blade guards for proper closing before each use. Do not operate saw if blade guards do not move freely and close instantly. Never clamp or tie the blade guards into the open position. Any irregular operation of the blade guards should be corrected immediately.
- 5 Clean and be careful not to damage the spindle, flanges (especially the installing surface) and hex bolt before or when installing the blade. Damage to these parts could result in blade breakage. Poor installation may cause vibration/ wobbling or slippage of the blade. Use only flanges specified for this tool.
- 6 Check the blade carefully for cracks or damage before operation. Do not use saw blade which are damaged or deformed.
- 7 Use only saw blades recommended by the manufacturer and which conform to EN847-1, and observe that the riving knife must not be thicker than the width of the cut by the saw blade and not thinner than the body of the blade.
- 8 Always use accessories recommended in this manual. Use of improper accessories such as abrasive cut-off wheels may cause an injury.
- 9 Select the correct saw blade for the material to be cut.
- 10 Do not use saw blades manufactured from high speed steel.

- 11 To reduce the emitted noise, always be sure that the blade is sharp and clean.
- 12 Use correctly sharpened saw blades. Observe the maximum speed marked on the saw blade.
- 13 Do not cut metals such as nails and screws. Inspect for and remove all nails, screws and other foreign matter from the work piece before operation.
- 14 Knock out any loose knots from work piece BEFORE beginning to cut.
- 15 Don't use the tool in the presence of flammable liquids or gases.
- 16 For your safety, remove the chips, small pieces, etc. from the work area and table top before plugging the tool and starting operation.
- 17 The operator is adequately trained in the use, adjustment and operation of the tool.
- 18 Keep hands and make your bystander and yourself position out of path of and not in line with saw blade. Avoid contact with any coasting blade. It can still cause severe injury and never reach around saw blade.
- 19 Be alert at all times, especially during repetitive, monotonous operations. Don't be lulled into a false sense of security. Blades are extremely unforgiving.
- 20 Make sure the shaft lock is released before the switch is turned on.
- 21 Before using the tool on an actual work piece, let it run for a while. Watch for vibration or wobbling that could indicate poor installation or a poorly balanced blade.
- 22 Wait until the blade attains full speed before cutting.
- 23 The tool should not be used for slotting, rabbetting or grooving.
- 24 Refrain from removing any cut-offs or other parts of the work piece from the cutting area whilst the tool is running and the saw head is not in the rest position.
- 25 Stop operation immediately if you notice anything abnormal.
- 26 Turn off tool and wait for saw blade to stop before moving work piece or changing settings.
- 27 Unplug tool before changing blade, servicing or not in use.
- 28 Some dust created from operation contains chemicals known to cause cancer, birth defects or other reproductive harm. Some examples of these chemicals are:
  - lead from lead-based-painted material and,
  - arsenic and chromium from chemically treated lumber.

Your risk from these exposures varies, depending on how often you do this type of work. To reduce your exposure to these chemicals: work in a well-ventilated area and work with approved safety equipment, such as those dust masks that are specially designed to filter out microscopic particles.

- 29 Connect the tool to a dust collecting device when sawing.
- 30 Make sure that the table is securely fixed with the lever after turning it over.

#### **CAUTION**

**Limitations on ambient conditions: < 40°C. Do not use in conditions, when the temperature is below -0°C (celsius). If the powertool is stored in a temperature below -0°C (celsius), make sure that it is warmed up min. 1 hour in room temperature, before use. This prevents possible damages in components and wirings.**

#### **When using in mitre saw mode:**

- 31 Do not use the saw to cut other than wood, aluminium or similar materials.
- 32 Do not perform operation freehand when cutting work piece in an area close to saw blade. The work piece must be secured firmly against the turntable and guide fence during all operations.
- 33 Make sure that the turntable is properly secured so it will not move during operation.
- 34 Make sure that the arm is securely fixed when bevelling. Tighten the lever clockwise to fix the arm.
- 35 Make sure the blade does not contact the turntable in the lowest position and is not contacting the work piece before the switch is turned on.
- 36 Hold the handle firmly. Be aware that the saw moves up or down slightly during start-up and stopping.

#### **When using in the table saw (bench saw) mode:**

- 37 Do not perform any operation freehand. Freehand means using your hands to support or guide the work piece, in lieu of a rip fence.
- 38 Make sure that the turntable is fixed securely.
- 39 Make sure that the arm is securely fixed in the working position. Tighten the lever clockwise to fix the arm.
- 40 Use a push stick or a push block to avoid working with the hands and fingers close to the saw blade.
- 41 Make sure the blade is not contacting the riving knife or work piece before the switch is turned on.

- 42 Always store the push-stick when it is not in use.
- 43 Pay particular attention to instructions for reducing risk of KICKBACK. KICKBACK is a sudden reaction to a pinched, bound or misaligned saw blade. KICKBACK causes the ejection of the work piece from the tool back towards the operator.

KICKBACKS CAN LEAD TO SERIOUS PERSONAL INJURY. Avoid KICKBACKS by keeping the blade sharp, by keeping the rip fence parallel to the blade, by keeping the riving knife and blade guard in place and operating properly, by not releasing the work piece until you

have pushed it all the way past the blade, and by not ripping a work piece that is twisted or warped or does not have a straight edge to guide along the fence.

- 44 Avoid abrupt, fast feeding. Feed as slowly as possible when cutting hard work pieces. Do not bend or twist work piece while feeding. If you stall or jam the blade in the work piece, turn the tool off immediately. Unplug the tool. Then clear the jam.
- 45 Before turning over the tool, always make sure that the stopper pin has securely locked the tool head in the lowest position.

## COMPONENTS & CONTROLS (FIG.1 TO 1C)

### TABLE SAW ITEMS

1. Riving knife
2. Fixing pin for cutting blade shield
3. Cutting blade shield
4. Locking button for cutting blade tilt lever
5. Cutting blade lift/lower knob
6. Locking lever for cutting blade tilt
7. Cutting blade bottom shield
8. Switch
9. Power cord holder
10. Ripping fence fixing screw
11. Work table rotation locking lever
12. Work table
13. Ripping fence
14. Cutting blade
15. Crosscut fence
16. Crosscut fence fixing knob
17. Locking knob of the mitre gauge
18. Mitre gauge
19. Wheel
20. Holder for push stick
21. Leg locking knob
22. Leg
23. Adjustable foot
24. Mitre gauge slot
25. Angle scale for cutting blade tilt
26. Cutting blade tilt indicator
27. Ripping fence fixing knob

### MITRE SAW ITEMS

28. Head locking pin
29. Table rotation locking knob
30. Fence
31. Turntable
32. Angle scale of turntable
33. Carbon brush cover
34. Movable shield
35. Riving knife fixing knob
36. Dust bag
37. Dust extraction outlet
38. Stationary shield
39. Movable shield locking lever
40. Switch lock button
41. Handle grip
42. Switch
43. Vertical clamp locking knob
44. Vertical clamp
45. Vertical clamp locking lever
46. Head position locking lever
47. Limiter
48. Spindle lock lever

\* Differences may appear between the product and drawing.



## UNPACKING

Caution! This packaging contains sharp objects. Take care when unpacking. Remove the machine, together with the accessories supplied, from the packaging. Check carefully to ensure that the machine is in good condition and account for all the accessories listed in this manual. Also make sure that all the accessories are complete. If any parts are found to be missing, the machine and its accessories should be returned together in their original packaging to the retailer.

Do not throw the packaging away, keep it safe throughout the guarantee period, then recycle if possible, otherwise dispose of it by the proper means. Do not let children play with empty plastic bags due to the risk of suffocation.

## ASSEMBLY

Note: Before carrying out any assembly or disassembly of the unit please ensure that the unit is not connected to the electrical supply.

**CAUTION:** Keep the floor area around the tool level well maintained and free of loose materials such as chips and cut-offs.

### FLIP OVER SAW ASSEMBLY (FIG. A)

Tilt the saw slightly to the side. Use the screws and leg locking knobs (21) (included) to attach the legs (22) to the base.

Set up the adjustable feet (23) so the flip over saw stands firmly.

### DUST EXTRACTION (FIG. B)

To install the dust bag (36) slide it firmly onto the dust extraction outlet (37) (when operating in mitre saw mode). To empty the dust bag (36), remove it from the dust extraction outlet (37) and open the zipfastener that allows to access inside the bag. Whenever more efficient dust extraction is required especially for health hazardous carcinogenic dusts, attach hose of suction device directly to the dust extraction outlet (37) (when using in table saw mode) or outlet in the cutting blade bottom shield (7) (when using in mitre saw mode).

Note: Empty the dust bag on a regular basis. To achieve optimal dust extraction empty the bag when it is 2/3 full.

### INSTALLATION OF THE CUTTING BLADE BOTTOM SHIELD (FIG. C)

When in mitre saw mode, the cutting blade bottom shield must be installed to cover lower part of the cutting blade.

Install the cutting blade bottom shield (7) and fasten with screws.

Remove the cutting blade bottom shield (7) before operating in table saw mode.

### TRANSPORTATION (FIG. D & E)

Before moving the tool follow the procedure:

Set up the tool in table saw mode.

Remove the ripping fence (13) and the mitre gauge (14).

Install the cutting blade bottom shield (7).

Tilt the saw slightly to the side.

Loosen the leg locking knobs (21) at the wheels (19), turn the legs (22) inside by 90° (along the saw) and lock in this position with the leg locking knobs (21).

Do the same with the second pair of legs (22) and turn them by 90° outside of the tool (Fig. D).

Turn the saw so it stands on the wheels, hold the legs (22) with your both hands and roll the saw to another location (Fig. E).

Follow the above described procedure in reverse order to reassemble the tool to table saw mode or mitre saw mode.

### INSTALLING THE POWER CORD HOLDERS

Attach the power cord holders (9) using the screws provided. The position of the power cord holders can be seen in Fig.1.

### INSTALLING THE PUSH STICK HOLDERS

Attach the push stick holders (20) using the screws provided. The position of the power cord holders can be seen in Fig.1A.

### OPERATION & SETTINGS

Ensure the saw is disconnected from power supply before making any adjustments. To ensure safe, precise and efficient saw operation, proceed with all adjustment procedures as a whole.

After finishing all the setting and adjustment procedures ensure that all adjustment keys are collected. Check that all joining elements are properly fitted.

When making adjustments ensure that all external parts work properly and conform with all conditions necessary for proper operation. Any worn out or damaged part must be replaced by qualified personnel before starting to use the saw.

### CUTTING RECOMMENDATIONS

It is recommended to make a test cut after each adjustment to make sure the new settings are correct and to check dimensions.

After switching the saw on, wait until cutting blade reaches its top maximum speed while running idle before making a cut.

Secure long objects from falling after cutting (e.g. with a roller support).

Be very careful when starting a cut!

When cutting wood that has already been used, ensure it is free from unwanted objects, such as nails, screws etc.

Wait until cutting blade comes to a complete stop before removing cut off pieces.

Always hold main part of the processed material.  
Never hold the part that is being cut off.

## TABLE SAW MODE

### SETTING THE RIVING KNIFE (FIG. F)

Set the work table (12) to mitre saw position.

Put the blade into 0° cross-cut position.

Set the mitre saw to the highest position by releasing the head locking pin (28) from the locking hole. Turn the head locking pin 90° so it rests in the open position.

Loosen the riving knife fixing knob (35) and turn the riving knife (1) to position where it covers the cutting blade (14), so the sleeve protrusions match the guiding grooves. You must retract the blade guard completely for the riving knife (1) to fit properly in place. To retract the blade guard press the movable shield locking lever (39). Be careful when retracting the blade guard as the blade is sharp and can cause injury.

Fasten the riving knife fixing knob (35) to fix in place.

Pull down the sawhead to its lowest position and turn the cutting blade lift/lower knob (5) until the head locking pin (28) can engage in the locking hole.

Pull the work table rotation locking lever (11) and turn the work table (12) to position of table saw mode.

Note: Set the riving knife (1) so the distance between the cutting blade (4) and the riving knife is between 3-5 mm (riving knife should be positioned exactly in line with the cutting blade), Fig. G. Check position of the riving knife after each replacement of cutting blade.

### INSTALLING THE CUTTING BLADE SHIELD (FIG. H)

Push in the button of the fixing pin for cutting blade shield (2) and put the cutting blade shield (3) onto the riving knife (1).

You can remove the cutting blade shield by following above procedure in reverse sequence.

Note: Attach the cutting blade shield so it lifts as the material is fed towards the cutting blade and freely falls after the cutting is finished.

### INSTALLING THE RIPPING FENCE (FIG. I)

The ripping fence can be installed on the work table on either side of the cutting blade shield.

Slide the fixing of the ripping fence (13) into guide slot in the work table (12).

Set up the ripping fence (13) in required position (use the scale) and secure with the ripping fence fixing knob (27).

It is recommended to make a test cut, measure and if necessary readjust the ripping fence.

To prevent seizing of processed material you can loosen the ripping fence fixing screw (10) and move the ripping fence (13) lengthwise (Fig. I).

Note: Reposition the ripping fence fixing when installing the ripping fence on the opposite side of the work table.

### SWITCHING ON AND OFF (FIG. J)

The mains voltage must match the voltage on the rating plate of the saw.

Switch on the saw only when the processed material is away from the cutting blade.

Switching On – press the button I of the switch (8).

Switching Off – press the button O of the switch (8).

### CUTTING DEPTH ADJUSTMENT

Turn the cutting blade lift/lower knob (5) counter-clockwise or clockwise to increase or decrease cutting depth.

Note: The saw should be adjusted so the highest point of the cutting blade is just above the surface of the material being cut.

### BEVEL CUTTING (FIG. K)

Always use the ripping fence when making a bevel cut.

Loosen the locking lever for cutting blade tilt (6). (For easy use you can press the locking button for cutting blade tilt lever (4) and change position of the locking lever for cutting blade tilt (6).)

Set the cutting blade (14) to maximum cutting depth.

Change position of the cutting blade (14) to obtain the required angle shown by the cutting blade tilt indicator (26) on the angle scale for cutting blade tilt (25).

Tighten the locking lever for cutting blade tilt (6).

Set the ripping fence (13) to required cutting width.

Switch on the saw and make a cut.

### MITRE CUTTING WITH THE MITRE GAUGE (FIG. L)

You can install mitre gauge in one of two guide slots located on both sides of the work table.

Remove the ripping fence (13) from the work table top (12).

Place the mitre gauge (18) in one of the mitre gauge slots (24).

Use the crosscut fence fixing knob (16) to attach the crosscut fence (15) to the mitre gauge (18), set up the required cutting angle and secure it with the locking knob of the mitre gauge (17) (Fig. L).

When tilting of the cutting blade is required for bevel cutting, set the crosscut fence (15) so it cannot contact the cutting blade (it is possible to move the crosscut fence).

Before switching the saw on, move the mitre gauge (18) towards cutting blade and ensure the crosscut fence (15) is approximately 2 cm away from the cutting blade.

Firmly push processed material against the crosscut fence (15).

To make a cut, switch on the saw and move the mitre gauge with the crosscut fence and processed material towards the cutting blade.

Note: Always move the material being cut far enough to complete the cutting.

When cross-cutting do not use ripping fence as a length limiter for piece of material being cut off, because this piece may jam between the ripping fence and the cutting blade, and cause kick back effect.

### **RIPPING**

Ripping is cutting the material to desired width along its whole length.

Set the ripping fence (13) to the appropriate cutting width.

Switch the saw on and wait until the cutting blade reaches its full rotational speed.

Press the material against the ripping fence (13) and move towards cutting blade to the end of the riving knife (1) (use the push stick when close to the cutting blade).

Leave the cut material on the work table until the cutting blade stops completely.

Note: Make a test cut after each adjustment to make sure the new setting is correct. When making a cut stand to the side of the line of cutting.

### **CUTTING SMALL OBJECTS**

Set the ripping fence (13) to the appropriate cutting width.

Feed the material with both hands. When getting close to the cutting blade always use the push stick (included) to move the material or use an additional piece of wood to push the material being cut against the ripping fence (13).

Always push the cut material to the end of the riving knife (1).

Note: When cutting short and narrow objects, use the push stick from the beginning.

### **MITRE SAW MODE**

If the tool has not been used or has been used in table saw mode, use the cutting blade lift/lower knob to bring the cutting blade to the lowest position.

### **INSTALLATION (FIG. M)**

Remove the cutting blade shield (3).

Bring the cutting blade (14) to the lowest position with the cutting blade lift/lower knob (5).

Remove the ripping fence (13) and the mitre gauge (18).

Install the cutting blade bottom shield (7).

Pull away the work table rotation locking lever (11) and turn the work table (12) by 180° until you can clearly hear the work table rotation locking lever (11) snap into place (Fig. M).

Loosen the riving knife fixing knob (35) and turn the riving knife (1) to a position where the cutting blade (14) is uncovered, so the sleeve protrusions match the guiding grooves.

Fasten the riving knife fixing knob (35) to fix in place.

### **USING THE SAW ARM (FIG. N)**

There are two positions of the saw arm, upper and lower. To release the head from the locked lower position, do the following:

Press the saw arm lightly and hold.

Pull the head locking pin (28) away, so its safety bolt slides out of the locking hole.

Turn the head locking pin (28) by 90° and lock in position (Fig. N).

Hold the saw arm as it lifts to its upper position.

You can lock the saw arm in lower position by following unlock procedure in reverse order after releasing the movable shield locking lever (39).

### **INSTALLING THE VERTICAL CLAMP (FIG. O)**

The vertical clamp can be installed at either side of the work table and is fully adjustable to size of the object to be cut.

Install the vertical clamp (44) into one of the holes in the work table.

Tighten the vertical clamp locking knob (43).

Turn the threaded rod to match the vertical clamp (44) with the processed material.

Secure by pressing the vertical clamp locking lever (45) (Fig. O).

Note: Always fix the processed material in place to guarantee optimal work safety. Do not cut objects too small to fix in place.

### **ADJUSTING THE CUTTING DEPTH (FIG. N & P)**

Before starting to work it is necessary to check maximum cutting depth, to make sure the cutting blade will not touch the flip over saw base.

Set the turntable (31) and the saw arm to 0° position.

Change the position of the limiter (47) so it can rest on the adjustment screw (a) (Fig. N).

Lower the saw arm and hold it in this position, pressed against the stopping fender.

Turn the cutting blade (14) by hand to make sure it is free to move.

Proper adjustment of the full cutting depth should allow the cutting blade (14) to penetrate 5mm below the upper surface of the turntable (31) (Fig. P).

In case the setting is wrong, turn the adjustment screw (a) (Fig. N) clockwise or counter-clockwise until cutting blade penetration depth is correct.

### **SWITCHING ON AND OFF (FIG. R)**

The mains voltage must match the voltage on the rating plate of the saw.

Switch on the saw only when the cutting blade is away from the material that is to be cut.

The mitre saw has a switch lock button (40) that protects against accidental starting.

### **SWITCHING ON**

Press the switch lock button (40).

Press and hold the switch button (42) (Fig. R).

### **SWITCHING OFF**

Release pressure on the switch button (42).

Note: In the mitre saw mode the switch (8) is deactivated.

### **CUTTING OFF NARROW PIECES OF MATERIAL**

Cutting off is used mostly for narrow pieces of material. Prior to starting ensure that the table rotation locking knob (29) and the locking lever for cutting blade tilt (6) are firmly tightened.

Fix the material to the worktable, consider its size.

Set the desired cutting angle.

Unlock the saw arm and the cutting blade shield.

Press the switch button (8) (wait until cutting blade reaches its top rotational speed).

Hold the handle grip (41) and bring it down slowly. Make a cut by applying moderate pressure.

Switch off the saw and wait until the cutting blade to stop completely.

Slowly lift the saw arm.

**Danger!** Insufficient tightening of the table rotation locking knob may cause unexpected movement of the cutting blade to the upper surface of the material. It puts the operator in danger of being hit with piece of material.

### **SETTING THE WORK TABLE FOR MITRE CUTTING (FIG. S)**

The turntable (31) allows the cutting of material at any angle within range of 45° left or right from the perpendicular position.

Pull and turn the head locking pin (28) and allow the saw arm to lift slowly to upper position.

Loosen the table rotation locking knob (29).

Set the turntable (31) at the desired angle accordingly to the angle scale of the turntable (32) (Fig. S).

Lock by tightening the table rotation locking knob (29).

There are many grooves in the turntable (31) that are used to easily pick frequently used angles. Those are cutting angles that are used most often (0°, 15°, 22.5°, 30°, 45° left or right). Any angle can be set precisely with the use of the angle scale of the turntable (32) scaled every degree. Even though the scale is accurate enough for most tasks, it is recommended to double check the cutting angle with a protractor or other device for angle measurement.

Note: When using the standard angle quick setup, the pawl should clearly sound snapping into the groove.

### **SETTING SAW ARM (HEAD) FOR BEVEL CUTTING (FIG. T & FIG. U)**

The saw arm can be tilted at any angle within the range 0° to 45° for bevel cutting (Fig. T).

Pull the head locking pin (28) that releases the saw arm and allow the saw arm to lift slowly to the upper position.

Loosen the locking lever for cutting blade tilt (6).

Tilt the saw arm left to the desired angle that you can read on the angle scale for cutting blade tilt (25) (Fig. U).

Tighten the locking lever for cutting blade tilt (6).

Note: If you need to set both angles (in both planes, horizontal and vertical) for compound cutting, always set the bevel angle first.

### **CHECKING AND ADJUSTMENT OF PERPENDICULAR POSITION OF CUTTING BLADE AND WORK TABLE (FIG. U & FIG. W)**

To guarantee precise cuts, check the basic setup parameters of the saw periodically and readjust if necessary.

Loosen the locking lever for cutting blade tilt (6).

Set the head in the extreme right position (perpendicular to the turntable) and tighten the locking lever for cutting blade tilt (6) (Fig. U).

Loosen the table rotation locking knob (29).

Set the turntable (31) in 0° position and tighten the table rotation locking knob (29).

Press the movable shield locking lever (39) and lower the saw head to the extreme down position.

Use the tool to check the perpendicularity of the cutting blade and the turntable (31).

Note: When making measurements make sure that measurement device does not touch any cutting blade tooth, otherwise the measurement may be inaccurate.



If the measurement angle is different than 90°, the following adjustment is necessary:

Tilt the saw head to the left.

Turn the adjustment screw (b) (Fig. U) clockwise or counter-clockwise to increase or decrease cutting blade tilt angle.

After the perpendicular position of cutting blade and the work table has been set, allow the head to return to its upper position.

Carry out a similar adjustment for the 45° head bevel angle, using the adjustment screw (c) (Fig. W) located on the opposite side of the saw arm.

## **MAINTENANCE**

Note: Before carrying out any maintenance of the unit please ensure that the unit is not connected to the electrical supply.

## **CLEANING**

When the work is finished, thoroughly remove all pieces of material, scobs and dust from the work table and the area around the cutting blade and its shield.

Clean the saw with a brush or stream of compressed air.

Never use water or other chemical liquids for cleaning the saw.

Clean ventilation holes regularly to prevent the motor overheating.

Store the saw in a dry place, beyond the reach of children.

To maintain product SAFETY and RELIABILITY, repairs, any other maintenance or adjustment should be performed by Authorized Service Centers, always using replacement parts.

Regularly check that all bolts and fixing screws are tightened. They may loosen after some time of operation.

## **CUTTING BLADE REPLACEMENT (FIG. X)**

Replace the cutting blade when the tool is set up in mitre saw mode.

Pull the head locking pin (28) to unlock the saw arm.

Allow smooth return of the saw arm to the upper position.

Press and hold the movable shield locking lever (39).

Take the movable shield (34) up to access the cutting blade (14) fixing screw.

Press and hold the spindle lock lever (48) (turning the cutting blade may be necessary to lock the spindle).

Use the included hexkey to unscrew the cutting blade fixing screw (14) . Turn clockwise (Fig. X).

Release the spindle lock lever (48) and remove the screw that fixes the cutting blade and outer collar.

Clean all parts to be installed prior to installation.

Install the cutting blade onto the inner collar.

Place the new cutting blade so the blade teeth and arrow on the blade match the direction of the arrow on the stationary shield (38).

Put the outer collar on, press and hold the spindle locking lever and tighten the cutting blade fixing screw counter-clockwise.

Release the movable shield (34) to its default position (the shield must fully cover the cutting blade).

Ensure the movable shield (34) is in correct position and moves freely when lifting or lowering the saw arm.

Note: Be careful to keep appropriate direction of the cutting blade rotation (see arrow on the cutting blade and stationary shield). After the cutting blade replacement make sure the blade is free to move by turning it with your hand.

## **CARBON BRUSH REPLACEMENT (FIG. Y & FIG. Z)**

Immediately replace worn out (shorter than 5 mm), burnt or cracked motor carbon brushes. Always replace both carbon brushes at a time.

Replace carbon brushes when the tool is set up in mitre saw mode.

Unscrew the carbon brush covers (33) (Fig. Y).

Remove used carbon brushes.

Remove any carbon dust with a stream of compressed air.

Insert the new carbon brushes (brushes should easily fit into the brush-holders) (Fig. Z).

Screw on the carbon brush covers (33).

Note: After the carbon brushes are replaced, start the saw with no load and wait until the carbon brushes fit to the motor commutator. It is recommended to entrust the replacement of carbon brushes only to a qualified person. Only original parts should be used.

## TECHNICAL DATA

Blade diameter	254 mm
Rated Input	1800 W
Hole diameter	30 mm
No load Speed	4200 min <sup>-1</sup>
Net weight	32 Kg
Safety class	II
Sound pressure level	91,9 dB (A)
Sound power level	104,9 dB (A)
Vibration:	1.729 m/s <sup>2</sup> , K=1.5 m/s <sup>2</sup>

### Max cuts as mitre saw

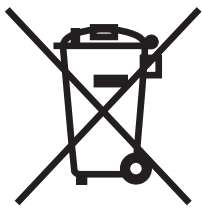
90° x 90°	65 x 155 mm
90° x 45°	65 x 105 mm
45° x 90°	40 x 155 mm
45° x 45°	40 x 105 mm

### Max cuts as table saw

90°	70 mm
45°	50 mm

## ENVIRONMENTAL PROTECTION

Information for (private householders) for the environmentally responsible disposal of Waste Electrical and Electronic Equipment (WEEE)



This symbol on products and or accompanying documents indicates that used and end of life electrical and electronic equipment should not be disposed of in household waste. For the proper disposal, treatment, recovery and recycling, please take these products to designated collection points, where they will be accepted on a free of charge basis. Alternatively, in some countries you may be able to return your products to your retailer upon the purchase of an equivalent new product. Disposing of this product correctly will help to save valuable resources and prevent any potential adverse effects on human health and the environment which could otherwise arise from inappropriate waste disposal and handling. Please contact your local

authority for further details of your nearest designated collection point. Penalties may be applicable for incorrect disposal of this waste in accordance with national legislation.

### FOR BUSINESS USERS IN THE EUROPEAN UNION.

If you wish to discard electrical and electronic equipment, please contact your dealer or supplier for further information.

### Information on Disposal in other Countries outside the European Union.

This Symbol is only valid in the European Union.

If you wish to dispose of this product, please contact your local authorities or dealer and ask for the correct method of disposal.

## Symbols

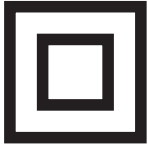
The rating plate on your tool may show symbols. These represent important information about the product or instructions on its use.



Wear hearing protection.

Wear eye protection.

Wear respiratory protection.



Double insulated for additional protection.



Conforms to relevant safety standards.



Read the instruction manual.



Do NOT touch the moving blade



Do NOT approach the machine with loose clothing



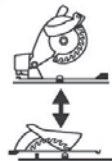
For your safety, remove chips, small pieces, etc. from the table top before operation.



Position hands properly when carrying.



Unplug the tool before turning it over around the axis



Waste electrical products should not be disposed of with household waste. Please recycle where facilities exist. Check with your Local Authority or retailer for recycling advice.



Product conforms to RoHS requirements



Do NOT remove safety guards and devices with the machine operating



Do NOT clean, lubricate or repair moving parts



Danger splinter casting

## SÄHKÖISET TIEDOT

### TÄRKEÄÄ

Tämä tuote on varustettu sinetöidyllä sähköpistokkeella, joka sopii työkalulle ja käyttömaassa käytetylle virralle ja vastaa kansainvälisiä standardeja.

Laite tulee kytkeä arvokilvessä ilmoitettuun jännitteeseen. Jos pistoke tai sähköjohto on vaurioitunut, ne tulee vaihtaa täysin samanlaiseen sarjaan.

Noudata aina käyttömaassa voimassa olevia sähköverkkoon kytkemistä koskevia lakeja.

Ota tarvittaessa aina yhteys ammattitaitoiseen sähköasentajaan.

### JOHDANTO

Kiitos, että ostit tämän tuotteen, joka on käynyt läpi laajan laadunvarmistuskäsittelymme. Tuotetta on käsitelty erittäin varovaisesti, jotta varmistettaisiin sen saapuminen sinulle täydellisessä kunnossa.

### TURVALLISUUS ENSIN

Ennen kuin yrität käyttää tätä työkalua, seuraavat turvallisuuden perusvarotoimenpiteet tulee aina tehdä tulipalon, sähköiskun ja henkilövammojen vaaran vähentämiseksi. On tärkeää lukea tämä käyttöopas, jotta ymmärtäisit tämän työkalun käytön, rajoitukset ja siihen liittyvät mahdolliset vaarat.

### TAKUUTODISTUS

Tällä tuotteella on takuu 2 vuoden ajan, voimassa ostopäivämäärästä lähtien ja sitä sovelletaan vain alkuperäiseen ostajaan. Tätä takuuta sovelletaan ainoastaan vikoihin, jotka johtuvat viallisista materiaaleista ja virheellisestä työstä, ja tulevat ilmeisiksi takuujakson aikana, eikä takuu koske kuluvia hyödykkeitä. Valmistaja korjaa tai vaihtaa tuotteen harkintansa mukaan seuraavien ehtojen mukaan. Tuotetta on käytetty käyttöoppaassa annettujen ohjeiden mukaisesti ja sitä ei ole altistettu väärinkäytölle, huonolle kohtelulle tai käytetty tarkoitukseen, johon sitä ei ole suunniteltu. Että sitä ei ole purettu tai siihen ei ole kajottu millään tavoin tai valtuuttamattomat henkilöt eivät ole huoltaneet sitä tai sitä ei ole käytetty vuokraustarkoituksiin. Kuljetusvauriot eivät kuulu tähän takuuseen, kuljetusyritys on vastuussa tällaisesta vauriosta. Tämän takuun nojalla tehdyt vaatimukset tulee tehdä ensitilassa, suoraan vähittäismyyjälle takuujakson aikana. Tuote palautetaan valmistajalle vain poikkeuksellisissa olosuhteissa. Näissä tapauksissa tuotteen palauttaminen on kuluttajan vastuulla hänen kustannuksellaan, varmistaen, että tuote on riittävästi pakattu kuljetusvaurioiden estämiseksi ja sen mukana tulee laittaa lyhyt kuvaus viasta ja kuitin tai muun ostotodistuksen kopio. Valmistaja ei ole vastuuvollinen mistään tietystä, esimerkiksi suorasta, epäsuorasta, oheis- tai seuraamuksellista menetyksestä tai vauriosta tämän takuun nojalla. Tämä takuu on kuluttajan oikeuksien lisäksi ja se ei vaikuta oikeuksiin, joita kuluttajalla voi olla Sale of Goods Actin 1973, korjattu 1975 ja 1999, nojalla.

**Sähkötyökalu on tarkoitettu ainoastaan kotikäyttöön. Sähkötyökalu ei sovellu kaupalliseen tai ammatilliseen käyttöön eikä sitä ole tarkoitettu niihin.**

**Takuu ei kata sähkötyökalujen vikoja ja vaurioita, jotka ovat seurausta muusta kuin kotikäytöstä, erityisesti kun ne ovat seurausta pakottamisesta tai väärinkäytöstä.**

"Takuu raukeaa, jos työkalu on vaurioitunut jostakin seuraavista syistä.

1. Tuotteen väärä käyttö tai sen asianmukaisen huollon laiminlyönti
2. Tuotteen kaupallinen tai ammatillinen käyttö tai vuokraus
3. Korjauksen on tehnyt muu kuin valtuutettu huoltoyritys
4. Ulkoisten esineiden tai aineiden aiheuttamat vauriot.

### LAKISÄÄTEISET OIKEUDET

Tämä takuu on lakisääteisten oikeuksien lisäksi ja se ei millään tavoin vaikuta niihin.

### YLEISET TURVALLISUUSSÄÄNNÖT

#### VAROITUS! Lue kaikki ohjeet

Alla olevien ohjeiden noudattamatta jättäminen voi aiheuttaa sähköiskun, tulipalon ja/tai vakavan vamman. Käsite "sähkötyökalu" kaikissa alla luetelluissa varoituksissa viittaa sähkövirtakäyttöiseen (johdotettuun) sähkötyökaluun tai akkukäyttöiseen (johdotomaan) sähkötyökaluun.

### PIDÄ NÄMÄ OHJEET TALLELLA

#### 1) TYÖALUE

- a) Pidä työalue puhtaana ja hyvin valaistuna. Roskaiset tai pimeät alueet lisäävät onnettomuusriskiä.
- b) Älä käytä sähkötyökaluja ympäristöissä, joissa on räjähdysvaara, kuten helposti syttyvien nesteiden, kaasujen tai pölyn läsnä ollessa. Sähkötyökalut synnyttävät kipinöitä, jotka voivat sytyttää pölyn tai höyryt tuleen.
- c) Pidä lapset ja sivulliset poissa sähkötyökalua käytettäessä. Häiriötekijät voivat haitata keskittymistä.

#### 2) SÄHKÖTURVALLISUUS

- a) Sähkötyökalun pistokkeiden tulee vastata pistorasiaa. Älä koskaan muuta pistoketta millään tavalla. Älä käytä sovittipistokkeita maadoitettujen sähkötyökalujen kanssa. Muuttamattomat pistokkeet ja yhteensopivat pistorasiat vähentävät sähköiskun vaaraa.
- b) Vältä vartalokosketusta maadoitettuihin pintoihin kuten putkiin, lämmittimiin, liesiin tai jääkaappeihin. Sähköiskun vaara kasvaa, jos vartalosi on maadoitettu.

- c) Suojaa sähkötyökalut sateelta ja kosteudelta. Sähkötyökalun sisään päässyt vesi lisää sähköiskun vaaraa.
- d) Älä käytä johtoa väärin. Älä koskaan käytä johtoa sähkötyökalun kantamiseen, vetämiseen tai irrottamiseen pistorasiasta.

Pidä johto kaukana lämmöstä, öljystä, terävistä reunoista ja liikkuvista osista. Vaurioituneet tai sotkeutuneet johdot lisäävät sähköiskun vaaraa.

- e) Kun sähkötyökalua käytetään ulkotiloissa, käytä jatkojohtoa, joka soveltuu ulkokäyttöön. Ulkokäyttöön sopivan johdon käyttö vähentää sähköiskun vaaraa.

### 3) HENKILÖTURVALLISUUS

- a) Pysy valppaana, katso mitä teet ja käytä tervettä järkeä käyttäessäsi sähkötyökalua. Älä käytä sähkötyökalua ollessasi väsynyt tai huumeiden, alkoholin tai lääkkeiden vaikutuksen alaisena. Hetkellinen epähuomio sähkötyökalua käytettäessä voi johtaa vakaviin henkilövammoihin.
- b) Käytä suojavarustusta. Käytä aina suojalaseja. Turvavarustus kuten hengityssuojain, liukumattomat turvajalkineet, suojakypärä tai kuulosuojain käytettynä asianmukaisissa olosuhteissa vähentää henkilövammoja.
- c) Vältä vahinkokäynnistyksiä. Varmista, että kytkin on off-asennossa (sammutettuna) ennen virran kytkemistä. Sähkötyökalun kantaminen sormi kytkimellä tai virran kytkeminen päälle sähkötyökaluihin, joiden kytkin on päällä, voi aiheuttaa onnettomuuksia.
- d) Poista säätöavaimet tai jakoavaimet ennen sähkötyökalun käynnistämistä. Jako- tai muu avain, joka on jätetty kiinni sähkötyökalun pyörivään osaan voi aiheuttaa henkilövamman.
- e) Älä kurkottele. Pidä asianmukainen jalansija ja tasapaino kaiken aikaa. Tämä mahdollistaa sähkötyökalun paremman hallinnanodottamattomissa tilanteissa.
- f) Pukeudu asianmukaisesti. Älä pidä löysiä vaatteita tai koruja. Pidä hiuksesi, vaatteesi ja käsineesi poissa liikkuvista osista. Löysät vaatteet, korut tai pitkä tukka voivat jäädä kiinni liikkuviin osiin.
- g) Jos pölynpoistoon tai keräyslaitteisiin kytkettäviä laitteita on toimitettu, varmista, että ne on kytketty ja niitä käytetään asianmukaisesti. Näiden laitteiden käyttö voi vähentää pölyyn liittyviä vaaroja.

### 4) SÄHKÖTYÖKALUN KÄYTTÖ JA HUOLTO

- a) Älä käytä voimaa sähkötyökaluun. Käytä käyttötarkoitukseesi soveltuvaa sähkötyökalua. Asianmukainen sähkötyökalu toimii paremmin ja turvallisemmin teholla, jolla se on suunniteltu.
- b) Älä käytä sähkötyökalua, jos kytkin ei käännä sitä päälle ja pois päältä. Sähkötyökalu, jota ei voida kontrolloida kytkimestä on vaarallinen, ja se tulee korjata.

- c) Irrota pistoke virtalähteestä ennen kuin muutat säätöjä, vaihdat lisävarusteita tai varastoit sähkötyökalun. Tällaiset ehkäisevät turvatoimet vähentävät sähkötyökalun vahinkokäynnistyksen vaaraa.

- d) Säilytä seisovat sähkötyökalut poissa lasten ulottuvilta, äläkä anna henkilöiden, jotka eivät tunne sähkötyökalua tai näitä ohjeita, käyttää sähkötyökalua. Sähkötyökalut ovat vaarallisia kouluttamattomien käyttäjien käsissä.

- e) Pidä sähkötyökalut kunnossa. Tarkasta liikkuvien osien kohdistusvirheet tai kiinnitykset, osien murtumat ja muut seikat, jotka voivat vaikuttaa sähkötyökalujen käyttöön. Jos sähkötyökalu on vaurioitunut, korjauta se ennen käyttöä. Monet onnettomuudet aiheutuvat huonosti kunnossapidetyistä sähkötyökaluista.

- f) Pidä leikkaustyökalut terävinä ja puhtaina. Asianmukaisesti kunnossapidetyt leikkaustyökalut, joissa on terävät leikkausreunat, eivät juutu helposti ja niiden käsittely on helpompaa.

- g) Käytä sähkötyökalua, lisävarusteita ja työkalupaloja tms. näiden ohjeiden mukaisesti ja tavalla, johon kyseessä oleva sähkötyökalu on tarkoitettu, ottaen huomioon työolosuhteet ja suoritettava työ. Sähkötyökalun käyttö toimintoihin, joihin sitä ei ole tarkoitettu, voi johtaa vaaralliseen tilanteeseen.

### 5) HUOLTO

- a) Jätä sähkötyökalun huolto pätevälle korjaajalle, joka käyttää ainoastaan täsmälleen samanlaisia varaosia. Näin varmistetaan, että sähkötyökalun turvallisuus säilyy.

### TYÖKALUN LISÄTURVALLISUUSOHJEET

#### **Sekä jiirisahan että pöytäsiirikkelin toimintoa käytettäessä:**

1. Pidä suojalaseja ja kuulonsuojaimia. Pidä myös asianmukaisia suojavaatteita.
2. Sahaä käytettäessä EI SAA pitää suojakäsineitä, paitsi jos kyseessä on sahanterän vaihto tai karkean materiaalin käsittely ennen sahan käynnistystä.
3. Sahatilan lattiaa on pidettävä puhtaana ja vapaana leikkuujätteistä eli lastuista jne.
4. Ei saa käyttää laitetta ilman suojuksia ja halkaisuveitsiä kiinnitettynä paikoilleen. Aina ennen laitteen käyttöä tarkista sahanterän suojusten kiinnityksen oikeellisuus. Sahan käyttö on kielletty, jos sahanterän suojuukset eivät liiku vapaasti tai mene välittömästi kiinni. Sahanterän suojuksia ei saa puristaa tai sitoa auki. Sahanterän suojusten väärä toiminta on korjattava välittömästi.
5. Ennen sahanterän kiinnittämistä tai sen aikana, on puhdistettava ja vältettävä seuraavien osien vaurioittamista: tappi, kaulukset (erityisesti kiinnityspinta) sekä kuusioruuvi.



- Yllä mainittujen osien vaurioituminen voi aiheuttaa sahanterän katkeamisen. Sahanterän väärä asennus voi aiheuttaa sen värinää, sivuiskeytymistä tai liukumista. Käytetään ainoastaan tälle työkalulle tarkoitettuja kauluksia.
6. Ennen käyttöä tarkista sahanterä huolellisesti mahdollisten halkeamien ja muiden vikojen kannalta. Ei saa käyttää vaurioituneita tai epäsopivia sahanteriä.
  7. Käytä ainoastaan valmistajan suositamia sahanteriä, jotka täyttävät EN 847-1 standardin määräyksiä sekä sellaista halkaisuveitsiä, joka ei ole sahanterän leikkausleveyttä paksumpi tai sitä ohuempi.
  8. On käytettävä ainoastaan tässä käyttöohjeessa suositeltavia lisävarusteita. Muiden lisävarusteiden kuten leikkauslaikkojen käyttö voi aiheuttaa loukkaantumisvaaran.
  9. Käsiteltäville materiaaleille on valittava sopiva sahanterä.
  10. Ei saa käyttää pikateräksestä tehtyjä sahanteriä.
  11. Sahan melutason vähentämiseksi on käytettävä terävää ja puhdasta sahanterää.
  12. Käytä asianmukaisesti teroitettuja sahanteriä. Noudata sahanterään merkittyä suurinta pyörimisnopeutta.
  13. Älä leikkaa sellaisia metallielementtejä kuin nauvoja ja ruuveja. Ennen leikkausta tarkista käsiteltävä kappale ja poista siitä kaikki naulat, ruuvit ja muut jätteet.
  14. ENNEN leikkauksen aloittamista poista käsiteltävästä kappaleesta kaikki löysät oksat.
  15. Saha ei saa käyttää tulenarkojen nesteiden tai kaasujen läheisyydessä.
  16. Henkilöturvallisuuden vuoksi ennen sahan kytkemistä sähköverkkoon ja työhön ryhtymistä, poistetaan työalueelta ja -pöydältä kaikki lastut, pientavarat jne.
  17. Käyttäjän on oltava koulutettu sahan käyttöön, säätöön ja huoltoon.
  18. Pidä kädet aina pois sahan leikkausradasta - laitteen käyttäjän sekä muiden henkilöiden on oltava pois sahan leikkausradasta ja -suunnasta. Vältä vapaasti pyörivän sahanterän koskettamista, sillä siitä aiheutuu suuri loukkaantumisvaara. Ei saa kurottaa käsiä sahanterän alueelle.
  19. Aina on noudatettava varovaisuutta erityisesti suoritettaessa toistuvia, yksitoikkoisia toimenpiteitä. Ei saa unohtaa varovaisuutta. Sahanterät ovat hyvin vaaralliset.
  20. Ennen sahan käynnistystä virtakytkimestä tarkista, onko akselin lukko auki.
  21. Ennen käsiteltävän kappaleen leikkausta anna sahan pyöriä vapaasti hetken aikaa. Saha on tutkittava värinän ja iskeytymisen kannalta, sillä nämä viat saattavat aiheutua sahanterän väärästä vakauttamisesta.
  22. Ennen leikkauksen aloittamista odota kunnes sahanterä saavuttaa täyden pyörimisnopeutensa.
  23. Saha ei saa käyttää urien tekemiseen tai kovertamiseen.
  24. Sahan ollessa käynnissä ja sahayksikön ollessa muussa paitsi kiinni-asennossa, ei saa poistaa mitään lastuja tai muita käsiteltävän kappaleen osia.
  25. Mikäli laitteessa huomataan mikä tahansa vika, on työ keskeyttävä välittömästi.
  26. Ennen käsiteltävän kappaleen irrottamista tai asetusten muuttamista sammuta saha ja odota kunnes sahanterä pysähtyy kokonaan.
  27. Ennen sahanterän vaihtoa, huoltoa tai laitteen seisottamista, se kytketään irti sähköverkosta.
  28. Jotkut kappaleen käsittelyssä muodostuvat pölyt sisältävät syöpää aiheuttavia, sikiölle vaarallisia sekä muita haitallisia aineita. Kyseessä ovat esimerkiksi seuraavat kemialliset aineet:
    - lyijypohjaisella maalilla maalatuista materiaaleista tuleva lyijy
    - kemiallisesti käsitellystä puusta tuleva arseeni ja kromi
 Yllä mainittujen kemikaalien aiheuttama vaara aiheutuu usein tapahtuvasta vastaavien materiaalien käsittelyn toistumisesta. Kemiallisten aineiden vaikutuksen pienentämiseksi käytä sahaa hyvin tuuletetussa tilassa sekä pidä sellaisia henkilösuojaimia kuin pienten hiukkasten suodattimella varustettua pölynaamaria.
  29. Leikkausajaksi kytke saha pölynerottimeen.
  30. Tarkista pöydän asianmukainen lukitus vivun avulla.
- VAROITUS**  
**Ympäristöolosuhteiden rajoitukset: < 40 °C. Älä käytä olosuhteissa, joissa lämpötila on alle -0°C (celsius). Jos sähkötyökalua säilytetään alle -0°C:n (celsius) lämpötilassa, lämmitä sitä vähintään 1 tunti huonelämpötilassa ennen käyttöä. Tämä estää osien ja johdotusten mahdollisen vaurioitumisen.**
- Jiirisahan toiminnon käyttö:**
31. Saha ei saa käyttää muiden aineiden kuin puun, alumiinin tms. materiaaliin leikkaamiseen.
  32. Pidettäessä käsiteltävää kappaletta lähellä sahanterää pelkin käsin ei saa suorittaa samaan aikaan muita toimenpiteitä. Kaikkia toimenpiteitä suoritettaessa käsiteltävän kappaleen on oltava tukevasti kiinnitetty kääntöpöytänsä ja johteeseen.
  33. Tarkista kääntöpöydän kiinnityksen oikeellisuus, joten vältetään sen liikkumista työn aikana.
  34. Viisteleikkauksen kohdalla tarkista ulokkeen kiinnityksen tukevuus. Ulokkeen lukitsemiseksi käännä vipu oikealle.



## JIIRISAHAN OSAT

28. Pään lukitustappi
29. Pöydän pyörimisen lukitusnuppi
30. Ohjain
31. Kääntöpöytä
32. Kääntöpöydän kulma-asteikko
33. Hiiliharjan kansi
34. Liikkuva suojus
35. Halkaisuveitsen kiinnitysruuvi
36. Pölypussi
37. Pölynpoistoliitäntä
38. Kiinteä suojus
39. Liikkuvan suojuksen lukitusvipu
40. Kytkimen lukituspainike
41. Tartuntakahva
42. Kytkin
43. Pystypuristimen lukitusnuppi
44. Pystypuristin
45. Pystypuristimen lukitusvipu
46. Pään asennon lukitusvipu
47. Rajoitin
48. Karan lukitusvipu

\* Tuote ja piirroset voivat poiketa toisistaan.

## PAKKAUKSESTA PURKU

Huomio! Tämä pakkaus sisältää teräviä osia. Ole varovainen pakkausta purkaessasi. Poista kone ja sen mukana tulleet varusteet pakkauksesta. Tarkista huolellisesti, että kone on hyvässä kunnossa ja kaikki tässä käyttöoppaassa luetellut varusteet ovat mukana. Varmista myös, että kaikki varusteet ovat täydellisiä. Jos joitakin osia puuttuu, kone ja sen varusteet on palautettava jälleenmyyjälle alkuperäisessä pakkauksessa.

Älä heitä pakkausta pois, säilytä se koko takuu-aika, kierrätä sen jälkeen, mikäli mahdollista, tai hävitä muulla asiallisella tavalla. Älä anna lasten leikkiä tyhjiillä muovipusseilla tukehtumisvaaran takia.

## KOKOAMINEN

Huomautus: Ennen laitteen kokoamista tai purkamista on varmistettava, että laite ei ole liitetty sähköverkkoon.

HUOMIO: Pidä koneen ympärillä oleva lattiapinta hyvin puhdistettuna ja poista kaikki irtomateriaali, kuten lastut ja jäännöspalat.

## KÄÄNTÖPÖYTÄSAHAN KOKOAMINEN (KUVA A)

Kallista sahaa hieman sivulle. Kiinnitä jalat (22) alustaan käyttämällä ruuveja ja jalkojen lukitusnuppeja (21) (vakiovaruste).

Aseta säädettävät jalat (23) siten, että kääntöpöytäsaaha seisoo vakaasti.

## PÖLYNPOISTO (KUVA B)

Asenna pölypussi (36) pölynpoistoliitäntään (37) päälle (kun laite on jiirisahatilassa). Tyhjennä pölypussi (36) irrottamalla se pölynpoistoliitäntästä (37) ja avaamalla vetoketju, joka avaa pussin. Aina kun tarvitaan tehokkaampaa pölynpoistoa, etenkin terveydelle vaarallisten karsinogeenisten pölyjen ollessa kyseessä, kiinnitä imulaitteen letku suoraan pölynpoistoliitäntään (37) (pöytäsaahatilassa) tai leikkuuterän alasuojuksen (7) liitäntään (jiirisahatilassa).

Huomaa: Tyhjennä pölypussi säännöllisesti. Saat optimaalisen pölynpoiston, kun tyhjennät pussin sen täyttöasteen ollessa 2/3.

## LEIKKUUTERÄN ALASUOJUKSEN ASENTAMINEN (KUVA C)

Leikkuuterän alasuojus on asennettava jiirisahatilassa suojaamaan leikkuuterän alaosa.

Asenna leikkuuterän alasuojus (7) ja kiinnitä ruuveilla.

Poista leikkuuterän alasuojus (7) ennen käyttöä pöytäsaahatilassa.

## KULJETTAMINEN (KUVA D ja E)

Ennen työkalun liikuttamista toimi seuraavasti:

Aseta työkalu pöytäsaahatilaan.

Poista halkaisuohjain (13) ja jiirisahaustaasteikko (14).

Asenna leikkuuterän alasuojus (7).

Kallista sahaa hieman sivulle.

Löysää jalkojen lukitusnupit (21) pyöriässä (19), käännä jalat (22) sisään päin 90° (sahan kanssa) ja lukitse tämä asento jalkojen lukitusnuppeilla (21).

Tee sama toiselle jalkaparille (22) ja käännä niitä ulospäin 90° (kuva D).

Käännä saha siten, että se seisoo pyöriensä päällä. Pidä jalvoja (22) molemmilla käsillä ja työnnä saha toiseen sijaintiin (kuva E).

Noudata edellä esitettyjä ohjeita päinvastaisessa järjestyksessä, jos haluat koota työkalun uudelleen pöytäsaahatilaan tai jiirisahatilaan.

## VIRTAJOHDON PIDIKKEIDEN ASENTAMINEN

Kiinnitä virtajohdon pidikkeet (9) käyttämällä mukana tulleita ruuveja. Virtajohdon pidikkeiden paikat näkyvät kuvassa 1.

## TYÖNTÖPUIKON PIDIKKEIDEN ASENTAMINEN

Kiinnitä työntöpuikon pidikkeet (20) käyttämällä mukana tulleita ruuveja. Virtajohdon pidikkeiden paikat näkyvät kuvassa 1A.



## TOIMINTA JA ASETUKSET

Varmista ennen säätöjen tekemistä, että saha on irrotettuna verkkovirrasta. Turvallisen, tarkan ja tehokkaan sahausken varmistamiseksi tee kaikki säädöt kokonaan.

Varmista, että kaikki säätöavaimet on poistettu asetusten ja säätöjen tekemisen jälkeen. Tarkista, että kaikki liitoselementit ovat kunnolla kiinnitetyt.

Kun teet säätöjä, varmista, että kaikki ulkoiset osat toimivat kunnolla ja vastaavat oikean toiminnan ehtoja. Kaikki kuluneet tai vaurioituneet osat täytyy vaihdattaa ammattitaitoisella henkilöstöllä ennen sahan käyttämistä.

## SAHAUSSUOSITUKSIA

Suosittellemme tekemään koesahauksen jokaisen säädön jälkeen, jotta varmistetaan uusien asetusten oikeellisuus ja voidaan tarkistaa mitat.

Käynnistä saha ja odota kunnes sahanterä on saavuttanut täyden nopeuden tyhjäkäynnillä ennen kuin aloitat sahausken.

Tue pitkät kappaleet putoamiselta katkaisun jälkeen (esim. rullatuella).

Ole erittäin varovainen sahausken aloittamisessa!

Kun sahaat käytössä ollutta puuta, varmista, ettei siinä ole mitään epätoivottua, kuten naulat, ruuvit jne.

Odota kunnes leikkuuterä on kokonaan pysähtynyt ennen kuin poistat sahatut kappaleet!

Pidä aina kiinni työstettävän materiaalin pääkappaleesta. Älä koskaan pidä kiinni sahattavasta kappaleesta.

## PÖYTÄSAHATILA

### HALKAISUVEITSEN ASETTAMINEN (KUVA F)

Aseta työpöytä (12) jiirisaha-asentoon.

Aseta terä poikkileikkauksasentoon 0°.

Aseta jiirisaha korkeimpaan asentoon vapauttamalla pään lukitustappi (28) lukkoreiästä. Käännä pään lukitustappia 90°, jotta se on avoimessa asennossa.

Löysää halkaisuveitsen kiinnitysnuppia (35) ja käännä halkaisuveitsi (1) asentoon, jossa se peittää leikkuuterän (14) ja holkin ulokkeet kohdistuvat ohjainuriin. Sinun täytyy vetää terän suojus pois, jotta halkaisuveitsi (1) asettuu kunnolla paikoilleen. Saat terän suojuksen vedettyä pois painamalla liikkuvan suojuksen lukitusvipua (39). Ole varovainen suojuksen vetämisessä, koska terä on terävä ja voi aiheuttaa henkilövahingon.

Kiinnitä liikkuvan suojuksen lukitusvipu (35).

Vedä sahanpää alimpaan asentoon ja käännä leikkuuterän nosto-/laskunuppia (5), kunnes pään lukitustappi (28) asettuu lukkoreikään.

Vedä työpöydän pyörimisen lukitusvipua (11) ja käännä työpöytä (12) pöytäsahatilan asentoon.

Huomaa: Aseta halkaisuveitsi (1) siten, että etäisyys leikkuuterän (4) ja halkaisuveitsen välillä on

3–5 mm (halkaisuveitsi tulee asettaa tarkasti samaan linjaan leikkuuterän kanssa), kuva G. Tarkista halkaisuveitsen asento jokaisen leikkuuterän vaihdon jälkeen.

### LEIKKUUTERÄN SUOJUKSEN ASENTAMINEN (KUVA H)

Työnnä leikkuuterän suojuksen (2) kiinnitystapin painike sisään ja aseta leikkuuterän suojus (3) halkaisuveitseen (1).

Voit poistaa leikkuuterän suojuksen tekemällä toimenpiteen päinvastaisessa järjestyksessä.

Huomaa: Kiinnitä leikkuuterän suojus siten, että se nousee, kun materiaalia syötetään kohti leikkuuterää ja laskee vapaasti, kun sahaus on tehty.

### HALKAISUOHJAIMEN ASENTAMINEN (KUVA I)

Halkaisuohjain voidaan asentaa työpöytäan leikkuuterän suojuksen kummalle puolelle tahansa.

Liu'uta halkaisuohjaimen (13) kiinnitys ohjaimen paikkaan työpöydässä (12).

Aseta halkaisuohjain (13) tarvittavaan asentoon (käytä asteikkoja) ja kiinnitä halkaisuohjaimen kiinnitysnuppilla (27).

Suosittellemme tekemään koesahauksen, mittaukset ja säätämään halkaisuohjainta, mikäli tarpeen.

Voit estää käsiteltävän materiaalin juuttumisen löysäämällä halkaisuohjaimen kiinnitysruuvia (10) ja siirtämällä halkaisuohjainta (13) pituussuunnassa (kuva I).

Huomaa: Aseta halkaisuohjaimen kiinnitys uudelleen, kun asennat halkaisuohjaimen vastakkaiselle puolelle työpöytää.

### VIRRAN KYTKEMINEN PÄÄLLE JA POIS PÄÄLTÄ (KUVA J)

Verkköjännitteen tulee vastata sahan arvokilvessä näkyvää jännitettä.

Kytke saha päälle vain, kun käsiteltävä materiaali on etäällä leikkuuterästä.

Kytke päälle – paina kytkimen painiketta I (8).

Kytke pois päältä – paina kytkimen painiketta O (8).

### SAHAUKSEN SYVYYDEN SÄÄTÄMINEN

Käännä leikkuuterän nosto-/laskunuppia (5) vastapäivään tai myötäpäivään sahaussyvyyden lisäämiseksi tai vähentämiseksi.

Huomaa: Saha tulee säätää siten, että leikkuuterän korkein kohta on sahattavan materiaalin pinnan yläpuolella.

## **VIISTOAMINEN (KUVA K)**

Käytä viistoleikkauksessa aina halkaisuohjainta.

Löysää leikkuuterän kallistuksen lukitusvipu (6). (Voit helpottaa käyttöä painamalla leikkuuterän kallistusvivun lukituspainiketta (4) ja muuttamalla leikkuuterän kallistuksen lukitusvivun (6) asentoa.)

Aseta leikkuuterä (14) sahausmaksimi syvyyteen.

Muuta leikkuuterän (14) asentoa, jotta saat tarvittavan kulman, jonka leikkuuterän kallistuksen ilmaisin (26) näyttää leikkuuterän kallistuksen kulma-asteikolla (25).

Kiristä leikkuuterän kallistuksen lukitusvipu (6).

Aseta halkaisuohjain (13) tarvittavaan sahauslevyyteen.

Kytke saha päälle ja suorita sahaus.

## **JIIRISAHAUS JIIRISAHAUSASTEIKON AVULLA (KUVA L)**

Voit asentaa jiirisahausteikon yhteen tai kahteen ohjainpaikkaan työpöydän kummallakin puolella.

Poista halkaisuohjain (13) työpöydän päältä (12).

Aseta jiirisahausteikko (18) johonkin jiirisahausteikon paikoista (24).

Käytä katkaisuohtaimen kiinnitysruuvia (16) ja kiinnitä katkaisuohtain (15) jiirisahausteikkoon (18). Aseta tarvittava leikkuukulma ja kiinnitä se jiirisahausteikon lukitusruuvilla (17) (kuva L).

Kun viistoaminen vaatii leikkuuterän kallistamista, aseta katkaisuohtain (15) siten, että se ei pääse kosketuksiin leikkuuterän kanssa (katkaisuohtainta voidaan siirtää).

Ennen sahan kytkemistä päälle siirrä jiirisahausteikko (18) kohti leikkuuterää ja varmista, että katkaisuohtain (15) on noin 2 cm:n etäisyydellä leikkuuterästä.

Työnnä käsiteltävä materiaali katkaisuohtainta (15) vasten.

Tee sahaus kytkemällä saha päälle ja siirtämällä jiirisahausteikko, katkaisuohtain ja käsiteltävä materiaali kohti leikkuuterää.

Huomaa: Siirrä sahattavaa materiaalia tarpeeksi, jotta sahaus voidaan tehdä kokonaan.

Jos katkaisu tehdään ilman halkaisuohjainta sahattavan kappaleen pituuden rajoittimena, tämä kappale voi juuttua halkaisuohjaimen ja leikkuuterän väliin ja aiheuttaa takapotkun.

## **HALKAISU**

Halkaisussa materiaali sahataan haluttuun leveyteen koko pituudelta.

Aseta halkaisuohjain (13) tarvittavaan sahauslevyyteen.

Kytke saha päälle ja odota kunnes leikkuuterä saavuttaa täyden pyörimisnopeuden.

Paina materiaali halkaisuohjainta (13) vasten ja siirrä kohti leikkuuterää halkaisuveitsen (1) loppuun asti (käytä työntöpuikkoa lähellä leikkuuterää).

Jätä sahattu materiaali työpöydälle, kunnes leikkuuterä pysähtyy kokonaan.

Huomaa: Tee koesahaus jokaisen säädön jälkeen, jotta varmistat uuden asetuksen oikeellisuuden. Kun katkaiset materiaalia, seiso leikkauslinjan sivulla.

## **PIENTEN KAPPALEIDEN KATKAISU**

Aseta halkaisuohjain (13) tarvittavaan sahauslevyyteen.

Syötä materiaali molemmin käsin. Kun olet lähellä leikkuuterää, käytä aina työntöpuikkoa (vakiovaruste) materiaalin siirtämiseen tai ylimääräistä puukappaletta, jolla työnnät katkaistavan materiaalin halkaisuohjainta (13) vasten.

Työnnä katkaistava materiaali aina halkaisuveitsen (1) loppuun asti.

Huomaa: Jos katkaiset lyhyitä ja kapeita kappaleita, käytä työntöpuikkoa heti alusta alkaen.

## **JIIRISAHATILA**

Jos työkalua ei ole käytetty tai sitä on käytetty pöytäsahtilassa, käytä leikkuuterän nosto-/laskunuppia ja laske leikkuuterä alimpaan asentoon.

## **ASENTAMINEN (KUVA M)**

Poista leikkuuterän suojus (3).

Vie leikkuuterä (14) alimpaan asentoon leikkuuterän nosto-/laskunupilla (5).

Poista halkaisuohjain (13) ja jiirisahausteikko (18).

Asenna leikkuuterän alasuojus (7).

Vedä työpöydän pyörimisen lukitusvipua (11) ja käännä työpöytää (12) 180°, kunnes kuulet selvästi työpöydän pyörimisen lukitusvivun (11) napsahtavan paikoilleen (kuva M).

Löysää halkaisuveitsen kiinnitysruuvia (35) ja käännä halkaisuveitsi (1) asentoon, jossa leikkuuterä (14) on paljaana ja holkin ulokkeet kohdistuvat ohjainuriin.

Kiinnitä liikkuvan suojuksen lukitusvipu (35).

## **ASENTAMINEN (KUVA M)**

Poista leikkuuterän suojus (3).

Vie leikkuuterä (14) alimpaan asentoon leikkuuterän nosto-/laskunupilla (5).

Poista halkaisuohjain (13) ja jiirisahausteikko (18).

Asenna leikkuuterän alasuojus (7).

Vedä työpöydän pyörimisen lukitusvipua (11) ja käännä työpöytää (12) 180°, kunnes kuulet selvästi työpöydän pyörimisen lukitusvivun (11) napsahavan paikoilleen (kuva M).

Löysää halkaisuveitsen kiinnitysnuppia (35) ja käännä halkaisuveitsi (1) asentoon, jossa leikkuuterä (14) on paljaana ja holkin ulokkeet kohdistuvat ohjainuriin.

Kiinnitä liikkuvan suojuksen lukitusvipu (35).

### **SAHANVARREN KÄYTTÄMINEN (KUVA N)**

Sahanvarrella on kaksi asentoa, ylempi ja alempi. Vapauta pää lukitusta asennosta seuraavalla tavalla:

Paina sahanvarrtta kevyesti ja pidä painettuna.

Vedä pään lukitustappia (28) siten, että turvapultti liukuu pois lukokoreiästä.

Käännä pään lukitustappia (28) 90° ja lukitse tähän asentoon (kuva N).

Nosta sahanvarsi ylimpään asentoon.

Voit lukita sahanvarren alimpaan asentoon tekemällä aukaisumenettelyn päinvastaisessa järjestyksessä sen jälkeen, kun olet vapauttanut liikkuvan suojuksen lukitusvivun (39).

### **PYSTYURISTIMEN ASENTAMINEN (KUVA O)**

Pystypuristin voidaan asentaa työpöydän kummalle tahansa puolelle. Se on täysin säädettävissä sahattavan kappaleen koon mukaan.

Asenna pystypuristin (44) johonkin työpöydän reikään.

Kiristä pystypuristimen lukitusnuppi (43).

Käännä kierretanko sopimaan pystypuristimeen (44) käsitellyn materiaalin kanssa.

Kiinnitä painamalla pystypuristimen lukitusvipua (45) (kuva O).

Huomaa: Kiinnitä käsiteltävä materiaali aina optimaalisen työturvallisuuden takaamiseksi. Älä sahaa niin pieniä kappaleita, ettei niitä voi kiinnittää.

### **SAHAUSSYVYYDEN ASETTAMINEN (KUVA N JA P)**

Ennen työskentelyn aloittamista on varmistettava maksimi sahausvyvyys, jotta leikkuuterä ei pääse koskettamaan kääntöpöytäsahan alustaa.

Aseta kääntöpöytä (31) ja sahanvarsi asentoon 0°.

Muuta rajoittimen (47) asentoa siten, että se on säätöruuvia (a) vasten (kuva N).

Laske sahanvarsi ja pidä se tässä asennossa painettuna pysäytysvastetta vastaan.

Käännä leikkuuterää (14) käsin, ja varmista, että se liikkuu vapaasti.

Sahaussyvyyden kunnollinen säätö sallii leikkuuterän (14) tunkeutua 5 mm kääntöpöydän (31) yläpinnan alapuolelle (kuva P).

Mikäli asetus on väärä, käännä säätöruuvia (a) (kuva N) myötäpäivään tai vastapäivään, kunnes leikkuuterän tunkeutumissyvyys on oikea.

### **VIRRRAN KYTKEMINEN PÄÄLLE JA POIS PÄÄLTÄ (KUVA R)**

Verkköjännitteen tulee vastata sahan arvokilvessä näkyvää jännitettä.

Kytke saha päälle vain, kun leikkuuterä on etäällä sahattavasta materiaalista.

Jiirisahassa on kytkimen lukkopainike (40), joka suojaa tahattomalta käynnistykseltä.

### **KYTKEMINEN PÄÄLLE**

Paina kytkimen lukkopainiketta (40).

Paina ja pidä kytkinpainiketta (42) painettuna (kuva R).

### **KYTKEMINEN POIS PÄÄLTÄ**

Vapauta kytkinpainikkeen (42) paine.

Huomaa: Jiirisahatilassa kytkin (8) on passiivinen.

### **KAPEIDEN MATERIAALIKAPPALEIDEN KATKAISU**

Katkaisua käytetään useimmiten kapeisiin materiaalikappaleisiin. Ennen aloittamista, varmista, että työpöydän pyörimisen lukitusnuppi (29) ja leikkuuterän kallistuksen lukitusvipu (6) ovat kiristettyinä.

Kiinnitä materiaali työpöytään, huomioi sen koko.

Aseta tarvittava katkaisukulma.

Vapauta sahanvarsi ja leikkuuterän suojuksen.

Paina kytkinpainiketta (8) (odota kunnes leikkuuterä saavuttaa täyden pyörimisnopeuden).

Pidä tartuntakahvasta (41) ja laske se hitaasti alas. Tee katkaisu kohtuullista painamista käyttäen.

Kytke saha pois päältä ja odota, kunnes leikkuuterä on kokonaan pysähtynyt.

Nosta sahanvarsi hitaasti.

Vaara! Pöydän pyörimisen lukitusnupin riittämätön kiristys saattaa aiheuttaa leikkuuterän tahattoman liikkumisen materiaalin yläpinnalle. Tämä aiheuttaa vaaran, koska materiaalikappale voi iskeä käyttäjää.

### **TYÖPÖYDÄN ASETTAMINEN JIIRISAHAUSTA VARTEN (KUVA S)**

Kääntöpöytä (31) mahdollistaa materiaalin sahaamisen missä tahansa kulmassa alueella 45° oikealle tai vasemmalle kohtisuorasta asennosta.

Vedä ja käännä pään lukitustappia (28) ja anna sahanvarren nousta hitaasti yläasentoon.

Löysää pöydän pyörimisen lukitusnuppi (29).

Aseta kääntöpöytä (31) haluamaasi kulmaan kääntöpöydän kulma-asteikon (32) mukaan (kuva S).

Lukitse pöydän pyörimisen lukitusnuppi (29) kiristämällä.

Kääntöpöydässä (31) on monia uria, joita käytetään usein käytettyjen kulmien löytämiseen. Useimmiten käytettyjä kulmia (0°, 15°, 22,5°, 30°, 45° vasemmalle tai oikealle). Jokainen kulma voidaan asettaa tarkasti käyttämällä kääntöpöydän (32) kulma-asteikkoa. Vaikka asteikko on riittävän tarkka useimpiin töihin, suosittelemme tarkistamaan katkaisukulman kulmamittarilla tai muulla laitteella.

Huomaa: Kun käytät standardia kulman pika-asetusta, pidikkeen napsauttaminen uraan pitäisi kuulua selvästi.

### **SAHANVARREN (PÄÄN) ASETTAMINEN VIISTOAMISEEN (KUVA T JA KUVA U)**

Sahanvarsi voidaan viistoamisessa kallistaa mihin tahansa kulmaan välillä 0°–45° (kuva T).

Vedä sahanvarren vapauttavaa pään lukitustappia (28) ja anna sahanvarren nousta hitaasti yläasentoon.

Löysää leikkuuterän kallistuksen lukitusvipu (6).

Kallista sahanvarsi vasemmalle haluttuun kulmaan, joka näkyy leikkuuterän kallistuksen (25) kulma-asteikosta (kuva U).

Kiristä leikkuuterän kallistuksen lukitusvipu (6).

Huomaa: Jos sinun täytyy asettaa molemmat kulmat (vaaka ja pysty) yhdistelmäsaahauksessa, aseta viistekulma aina ensin.

### **LEIKKUUTERÄN JA TYÖPÖYDÄN KOHTISUORAN ASENNON TARKASTAMINEN JA SÄÄTÄMINEN (KUVA U JA KUVA W)**

Tarkkojen tulosten saavuttamiseksi sahan parametrien perusmääritykset tulee tarkistaa säännöllisesti ja säätää tarpeen mukaan.

Löysää leikkuuterän kallistuksen lukitusvipu (6).

Aseta pöytä äärimmäiseen asentoon oikealle (kohtisuoraan kääntöpöytää kohti) ja kiristä leikkuuterän kallistuksen (6) lukitusvipu (kuva U).

Löysää pöydän pyörimisen lukitusnappi (29).

Aseta kääntöpöytä (31) asentoon 0° ja kiristä pöydän pyörimisen lukitusnappi (29).

Paina liikkuvan suojuksen lukitusvipua (39) ja laske sahanpää äärimmäiseen ala-asentoon.

Käytä työkalua leikkuuterän ja kääntöpöydän (31) suoruuden tarkistamisessa.

Huomaa: Varmista mittauksia tehdessäsi, ettei mittauslaite kosketa leikkuuterän hampaita. Muutoin mittaukset voivat olla epätarkkoja.

Jos mittauskulma on jokin muu kuin 90°, seuraava säätö on välttämätön:

Kallista sahanpää vasemmalle.

Käännä säätöruuvia (b) (kuva U) myötäpäivään tai vastapäivään leikkuuterän kallistuskulman lisäämiseksi tai vähentämiseksi.

Kun leikkuuterän ja työpöydän kohtisuoruus on asetettu, anna pään palata yläasentoon.

Tee samanlainen säätö pään 45° viistekulmalle käyttäen säätöruuvia (c) (kuva W), joka sijaitsee sahanvarren vastakkaisessa sivussa.

### **KUNNOSSAPITO**

Huomaa: Ennen kunnossapitotoimenpiteiden tekemistä laitteelle on varmistettava, että laite ei ole liitettynä sähköverkkoon.

### **PUHDISTUS**

Kun työ on valmis, poista huolellisesti kaikki materiaali jäämät, sahanpuru ja pöly työpöydältä ja leikkuuterän ja sen suojuksen alueelta.

Puhdista saha harjalla tai puhalla paineilmalla.

Älä koskaan käytä sahan puhdistamiseen vettä tai kemiallisia nesteitä.

Puhdista tuuletusaukot säännöllisesti, jotta moottori ei ylikuumene.

Säilytä saha kuivassa paikassa ja poissa lasten ulottuvilta.

Tuotteen TURVALLISUUDEN ja TOIMINTAVARMUUDEN säilymiseksi korjaukset, kaikki muu huolto ja säädöt tulee teettää valtuutetussa huoltoliikkeessä ja niissä saa käyttää vain vaihto-osia.

Tarkista säännöllisesti, että kaikki pultit ja kiinnitysruuvit on kiristetty. Ne saattavat löystyä tietyn käyttöajan jälkeen.

### **LEIKKUUTERÄN VAIHTAMINEN (KUVA X)**

Vaihda leikkuuterä, kun työkalu on jiirisahatilassa.

Vedä pään lukitustappia (28) sahanvarren vapauttamiseksi.

Anna sahanvarren palata hitaasti yläasentoon.

Paina ja pidä liikkuvan suojuksen lukitusvipua (39).

Nosta liikkuva suojus (34) ylös, jotta saat leikkuuterän (14) kiinnitysruuvit näkyviin.

Paina ja pidä karan lukitusvipua (48) (karan lukitseminen saattaa vaatia leikkuuterän kääntämisen).

Käytä vakiovarusteena tulevaa kuusioavainta ja kierrä leikkuuterän kiinnitysruuvi (14) auki. Käännä myötäpäivään (kuva X).

Vapauta karan lukitusvipu (48) ja poista ruuvi, joka kiinnittää leikkuuterän ja ulkolaipan.

Puhdista kaikki osat ennen asennusta.

Asenna leikkuuterä sisälaippaan.

Aseta uusi leikkuuterä siten, että terän hampaat ja terässä oleva nuoli täsmäävät kiinteässä suojuksessa (38) olevan nuolen suunnan kanssa.

Aseta ulkolaippa päälle, paina ja pidä karan lukitusvipua ja kiristä leikkuuterä kiinnitysruuville vastapäivään.

Vapauta liikkuva suojus (34) oletusasentoon (suojuksen täytyy peittää leikkuuterä kokonaan).

Varmista, että liikkuva suojus (34) on oikeassa asennossa ja liikkuu vapaasti, kun sahanvartta nostetaan tai lasketaan.

Huomaa: Pidä leikkuuterän kierron suunta aina oikeana (katso leikkuuterän ja kiinteän suojuksen nuolia). Varmista leikkuuterän vaihtamisen jälkeen, että terä liikkuu vapaasti kääntämällä sitä käsin.

### HIILIHARJAN VAIHTAMINEN (KUVA Y JA KUVA Z)

Vaihda välittömästi kuluneet (alle 5 mm pituiset), palaneet tai murtuneet moottorin hiiliharjat. Vaihda aina molemmat hiiliharjat samanaikaisesti.

Vaihda hiiliharjat, kun työkalu on jiirisahatilassa.

Kierrä hiiliharjojen kannet (33) auki (kuva Y).

Poista käytetyt hiiliharjat.

Poista kaikki hiilipöly paineilmasuihkulla.

Aseta uudet hiiliharjat (harjojen pitäisi sopia helposti harjojen pidikkeisiin) (kuva Z).

Kierrä hiiliharjojen kannet (33) kiinni.

Huomaa: Kun hiiliharjat on vaihdettu, käynnistä saha ilman kuormaa ja odota, kunnes hiiliharjat sopivat moottorin kollektoriin. Suosittelemme jättämään hiiliharjojen vaihtamisen ammattihenkilöiden työkseen.

Vain alkuperäisiä osia saa käyttää.

### TEKNISET TIEDOT

Sahanterän halkaisija	254 mm
Nimellisteho	1.800 W
Aukon halkaisija	30 mm
Vapaa pyörimisnopeus	4.200 min <sup>-1</sup>
Nettopaino	32 Kg
Turvallisuusluokka	II
Akustinen paine	91,9 dB (A)
Akustinen	104,9 dB (A)
Värähtely:	1,729 m/s <sup>2</sup> , K=1,5 m/s <sup>2</sup>

### Jiirisahan suurimmat leikkausarvot

90° x 90°	65 x 155 mm
90° x 45°	65 x 105 mm
45° x 90°	40 x 155 mm
45° x 45°	40 x 105 mm

### Suurimmat pöytäsiirkkelin leikkausarvot

90°	70 mm
45°	50 mm

## YMPÄRISTÖNSUOJELU

Tietoja (yksityisten kotitalouksien) käytetyn sähkö- ja elektroniikkalaitteiston (Waste Electrical and Electronic Equipment, WEEE) ympäristöllisesti vastuullisesta hävittämisestä.



Tämä symboli tuotteissa ja tai sen mukana tulevissa asiakirjoissa osoittaa, että käytettyjä ja loppuun kuluneita sähkö- ja elektroniikkalaitteita ei saa hävittää kotitalousjätteen mukana. Asianmukaista hävitystä, käsittelyä, uudelleenkäyttöä ja kierrätystä varten vie nämä tuotteet nimettyihin keräyspisteisiin, joihin ne hyväksytään ilmaiseksi. Vaihtoehtoisesti joissain maissa voit palauttaa ne vähittäismyyjällesi ostaessasi uutta vastaavaa tuotetta. Kun hävität tämän tuotteen asianmukaisesti, autat säilyttämään arvokkaita luonnonvaroja ja estämään sellaisia mahdollisia haitallisia vaikutuksia ihmisterveydelle ja ympäristölle, joita voisi muutoin ilmetä virheellisestä jätteenhävittämisestä ja -käsittelystä. Ota yhteyttä paikalliseen viranomaiseen saadaksesi lisätietoja lähimmästä nimetystä keräyspisteestä. Tämän jätteen virheellisestä hävittämisestä voidaan määrätä rangaistuksia kansallisen lainsäädännön mukaisesti.

### YRITYSKÄYTTÄJILLE EUROOPAN UNIONISSA.

Jos haluat heittää pois sähkö- tai elektroniikkalaitteistoa, ota yhteyttä jälleenmyyjäsi tai tavarantoimittajaasi saadaksesi lisätietoja.

### Tietoja hävittämisestä muissa maissa Euroopan unionin ulkopuolella.

Tämä symboli on voimassa vain Euroopan unionissa.

Jos haluat hävittää tämän tuotteen, ota yhteyttä paikallisiin viranomaisiin tai jälleenmyyjäsi ja kysy neuvoa asianmukaisesta hävitysmenetelmästä.



## Symbolit

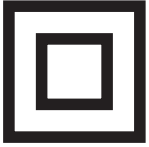
Työkalusi arvokilvessä voi olla symboleita. Ne näyttävät tärkeitä tietoja tuotteesta tai ohjeita sen käyttöön.



Käytä kuulosuojainta.

Käytä suojalaseja.

Käytä hengityssuojainta.



Kaksoiseristetty lisäsuojaa varten.



Yhdenmukainen asiaankuuluvien turvastandardien kanssa.



Lue käyttöopas.



ÄLÄ koske liikkuvaan terään



ÄLÄ mene koneen lähelle löysissä vaatteissa



Käytettyjä sähkötuotteita ei saa hävittää kotitalousjätteen mukana. Kierrätä mikäli mahdollisuudet siihen on olemassa. Tarkasta paikalliselta viranomaiselta tai vähittäismyyjältä kierrätysohjeet.



Tuote on yhdenmukainen RoHS-vaatimusten kanssa.



ÄLÄ poista suojuksia ja turvalaitteita koneen ollessa toiminnassa



ÄLÄ puhdista, voitele tai korjaa liikkuvia osia



Vaara, lentäviä lastuja

## ELEKTRISKA DATA

### VIKTIGT

Denna produkt är utrustad med en helgjuten kontakt som är kompatibel med redskapet och inspänningen i ditt hemland och uppfyller alla internationella normer.

Apparaten ska anslutas till en nätspänning som överensstämmer med den som anges på märkplåten. Om kontakten eller strömkabeln är skadade ska de bytas ut mot en enhet som är identisk med den originala.

Följ alltid föreskrifterna som gäller för elektriska nätanslutningar i ditt hemland.

Vid tveksamhet, vänd dig till en kvalificerad elektriker.

### INLEDNING

Tack för att du köper denna produkt som har genomgått vår omfattande kvalitetssäkringsprocess. Stor noggrannhet har lagts på att säkerställa att den levereras i felfritt skick.

### SÄKERHETEN FRAMFÖR ALLT

Innan du börjar använda denna elektriska maskin bör följande säkerhetsåtgärder genomföras för att minska risken för bränder, elchocker och personskada. Det är viktigt att du läser bruksanvisningen för att förstå hur maskinen fungerar, dess begränsningar och vilka faror som kan förekomma med den.

### GARANTICERTIFIKAT

Denna produkt har en garanti på 2 år med början på köpdagen och gäller enbart den första köparen. Garantin täcker endast fel som uppstår på grund av defekta material och/eller tillverkningsfel som uppdragas under garantiperioden, och täcker inte förbrukningsmaterial. Tillverkaren åtar sig att reparera eller ersätta produkten enligt gottfinnande på följande premisser: Att produkten använts i enlighet med rekommendationerna i bruksanvisningen samt att den inte har missbrukats, hanterats med ovetenskap eller använts för opassande ändamål, att den inte har plockats isär eller manipulerats på något sätt eller har reparerats av obehörig personal eller har hyrts ut. Transportskador täcks inte av garantin då dessa är transportföretagets ansvar. Garantifordringar måste göras omgående och till återförsäljaren under garantiperioden. Endast under mycket speciella omständigheter kan det bli aktuellt att returnera produkten till tillverkaren. I dessa fall ansvarar kunden för returkostnaden och att produkten förpackas med tillräckligt skydd mot transportskador. Returen måste innehålla en kort beskrivning av produktfelet samt en kopia på kvittot eller annat köpbevis. Tillverkaren ansvarar inte för några speciella, direkta, indirekta, oavsiktliga eller efterföljande förluster eller skador under denna garanti. Denna garanti är ett tillägg till, och påverkar inte på något sätt, konsumentens rättigheter i och med konsumentköplagen.

**Elverktyget är endast avsett för hushållsbruk.**

**Elverktyget är inte lämpligt och inte avsett för kommersiell eller yrkesmässig användning.**

**Garantin täcker inte defekter och skador på elverktyg som härrör från andra användningsområden än hushållsbruk, i synnerhet till följd av genomdrivning och missbruk.**

"Garantin upphävs om verktyget skadas på grund av ett av följande förhållanden:

1. Missbruk av produkten eller försummelse av korrekt underhåll av produkten,

2. Produkten används kommersiellt, yrkesmässigt eller hyrts ut,
3. Reparation utförd av ett obehörigt serviceföretag.
4. Skador orsakade av externa objekt eller ämnen."

### LAGSTADGADE RÄTTIGHETER

Denna garanti är ett tillägg till, och påverkar på inget sätt, dina lagstadgade rättigheter.

### BORTSKAFFANDE AV PRODUKTEN

När produkten når slutet av sin livstid eller bortskaffas av någon annan anledning ska den inte slängas i hushållssoporna. För att bevara naturresurserna och minimera miljöpåverkan ber vi dig att göra dig av med produkten på ett miljövänligt sätt. Den ska återvinnas på en återvinningsstation eller annan behörig insamlings- och sophanteringscentral.

Om du är osäker på hur produkten ska sorteras kan du kontakta den lokala sophanteringsstationen rörande återvinning och bortskaffande.

### ALLMÄNNA SÄKERHETSREGLER

**VARNING!** Läs alla instruktioner.

Om instruktionerna nedan inte följs kan det resultera i elchocker, bränder och/eller allvarliga skador. Termen "elverktyg" i varningslistan nedan syftar på ett eldrivet (med sladd) elverktyg eller ett batteridrivet (utan sladd) elverktyg.

### SPARA SÄKERHETSINSTRUKTIONERNA

#### 1) ARBETSUTRYMMET

- a) Håll arbetsutrymmet rent och väl upplyst. Röriga och mörka utrymmen kan orsaka olyckor.
- b) Använd inte elverktyg i explosiva miljöer som i närheten av lättantändliga vätskor, gaser eller damm. Elverktygen skapar gnistor som kan antända damm eller ångor.
- c) Håll barn och åskådare på avstånd medan elverktyget är i drift. Om du distraheras kan du tappa kontrollen.

#### 2) ELSÄKERHET

- a) Kontakten på elverktyget måste passa uttaget. Ändra aldrig på kontakten. Använd aldrig adapterkontakter med jordade elverktyg. Omodifierade kontakter och matchande uttag minskar risken för elchocker.
- b) Undvik kroppskontakt med jordade ytor som rör, element, spisar och kylskåp. Risken för elchocker ökar om kroppen är jordad.

- c) Utsätt inte elverktyg för regn eller väta. Vatten inuti elverktyget ökar risken för elchocker.
- d) Skada inte sladden. Använd aldrig sladden för att lyfta, dra eller koppla ur elverktyget. Håll sladden borta från värme, olja, vassa kanter och rörliga delar. Skadad eller trasslig sladd ökar risken för elchocker.
- e) Vid utomhusbruk ska du använda en förlängningsladd som är avsedd för bruk utomhus. Användning av sådan sladd minskar risken för elchocker.

### 3) PERSONSÄKERHET

- a) Var uppmärksam och titta på det du gör, och använd elverktyget förnuftigt. Undvik att använda elverktyget om du är trött eller påverkad av droger, alkohol eller medicin. Ett ögonblicks avbruten uppmärksamhet kan leda till allvarliga personskador.
- b) Använd säkerhetsutrustning. Bär alltid skyddsglasögon. Skyddsutrustning som munskydd, halkfria skor, hjälm och hörselskydd som anpassats efter omständigheterna minskar risken för personskador.
- c) Undvik att elverktyget startas oavsiktligt. Se till att strömbrytaren är inställd på "off" innan du sätter i kontakten. Att bära elverktyget med fingret på strömbrytaren eller stoppa i kontakten medan strömbrytaren är på ökar också skaderisken.
- d) Avlägsna skiftnycklar och inställningsverktyg innan du sätter på elverktyget. En skiftnyckel eller annat verktyg i kontakt med en roterande del av elverktyget kan resultera i personskada.
- e) Sträck dig inte efter något. Stå alltid stadigt och balanserat. Detta underlättar kontrollen av elverktyget i oförutsedda situationer.
- f) Bär ändamålsenliga kläder. Undvik att bära löst sittande kläder och smycken. Håll hår, kläder och handskar borta från rörliga delar. Löst sittande kläder, smycken och långt hår kan fastna i rörliga delar.
- g) Om det finns uttag för dammsugare och uppsugningsanordningar ska du se till att dessa är anslutna och fungerar korrekt. Att använda sådana anordningar kan minska risken för dammrelaterad fara.

### 4) ANVÄNDNING OCH SKÖTSEL AV ELVERKTYG

- a) Använd inte elverktyget med våld. Använd rätt elverktyg för det du ska utföra. Val av rätt elverktyg innebär att jobbet genomförs smidigare och säkrare.
- b) Använd inte elverktyget om strömbrytaren inte kan slå av eller sätta på det. Om ett elverktyg inte kan kontrolleras med strömbrytaren är det att betrakta som farligt och verktyget måste repareras.
- c) Dra ut kontakten från uttaget innan du justerar elverktyget, byter anordningar eller placerar elverktyget på förvaringsstället. Sådana

förebyggande säkerhetsåtgärder minskar risken att elverktyget startar oavsiktligt.

- d) Förvara elverktyg utom räckhåll för barn och låt inte personer som inte är vana vid elverktyget eller som inte läst instruktionerna använda elverktyget. Elverktyg är farliga i händerna på ovana användare.
- e) Skötsel av elverktyg. Leta efter förskjutningar, kontakt mellan olika rörliga delar, trasiga delar och andra skador som kan påverka elverktygets prestation. Vid skador ska du se till att elverktyget repareras. Många skador beror på dåligt skötta elverktyg.
- f) Se till att skärverktygen är vassa och rena. Korrekt skötta skärverktyg med vassa blad är mindre benägna att fastna och lättare att kontrollera.
- g) Använd elverktyget, tillbehör och verktygsdelar i enlighet med dessa instruktioner och på sådant vis som avsetts för det aktuella verktyget, och beakta omständigheterna i arbetsmiljön och för det jobb som ska genomföras. Att använda elverktyget för andra ändamål än det verktyget är avsett för kan resultera i farliga situationer.

### 5) SERVICE

- a) Se till att elverktyget servas av en kvalificerad reparatör som använder identiska reservdelar. Detta garanterar att säkerheten hos elverktyget bibehålls.

### EXTRA SÄKERHETSKRAV ANGÅER DE VERKTYGET

#### För en såg använd också som vinkelsåg och skivsåg:

1. Man ska ha skyddsglasögon och öronskydd. Man ska också ha skyddskläder.
2. Under användningen SKA MAN INTE ha handskar, med undantag för skärskivans utbyte och användning av skrovliga material före såganvändning.
3. Golv runt såg ska vara rent utan något skräp dvs utan spån och materialrester.
4. Såg får inte användas utan några skydd och fastsatt klyvkil. Före varje användning ska skärskivans skydd vara kontrollerad- om den är rätt stängd. Såg får inte användas om skärskivans skydd inte kommer att förflytta sig fritt och man får inte stänga dem direkt. Skärskivans skydd ska man inte trycka eller knyta i ett öppet läge. Man ska korrigerar direkt varje oriktighet av skärskivans skydd.
5. Före och under skärskivans fästning ska man rensa den och ta hänsyn till för att inte skada bult och fläns (särskilt installeringsytor) och en skruv med sexkantig huvud. Skador av ovannämnda delar kan förorsaka brott av skärskiva. En oriktig fästning av skärskiva kan också förorsaka svängningar/axeldrag eller slirning. Man ska använda flänsar bara anpassade till detta verktyg.



6. Före användning, ska skärskiva kontrolleras – om den inte har några sprickor eller skador. Skadade eller deformerade skivor får inte användas.
7. Man ska använda bara skärskivor rekommenderade av tillverkaren som uppfyller alla EN847-1 normer och klyvkil som inte är tjockare än skärskivans skärningsbredd och inte tyngre än skärskiva.
8. Man ska använda bara extra utrustning som är rekommenderad i denna anvisning. Användning av oriktig utrustning som skärningsringar, kan förorsaka skador.
9. Varje skuret material kräver en lämplig skärskiva.
10. Man ska inte använda sågskär gjorda av snabbgående stål.
11. För att minska oväsen under sågens arbete, ska man använda en vass och ren skärskiva.
12. Man ska använda riktigt vassade skärskivor. Man ska följa maximala hastigheter angivna på sågens skiva.
13. Man ska inte skära metalelement som spikar och skruvar. Före skärning ska det skurna element kontrolleras och alla eventuella spikar, skruvar osv ska avlägsnas.
14. FÖRE skärning ska man avlägsnas alla kvistar.
15. Såg ska inte användas vid närvaro av lättanvändliga vätskor eller gaser.
16. Med hänsyn till personlig säkerhet, före inkoppling till inmatningsnät och före skärning, från bordet och arbetsområde ska man avlägsna alla spån, små delar, osv.
17. Operatör ska ha en träning inom sågens användning, reglering och betjäning.
18. Man ska hålla händerna borta från sågens arbetsspår – en operatör och andra personer ska vara utom sågens arbetsspår och inte i skärskivans linje. Man ska vara försiktigt för att inte beröra fritt snurrande skärskiva, därför att den kan förorsaka allvarliga skador. Man ska inte gripa i närheten av skärskiva.
19. Hela tiden ska man vara försiktigt, särskilt under upprepade och monotona operationer. Man ska inte glömma sin varsamhet. Skärskivor är oförsonliga.
20. Före sågens inkoppling med hjälp av strömbrytare, ska man kontrollera om rullens blockad är befriad.
21. Före sågens användning till en riktig skärning, ska sågen arbeta fritt för en stund. Man ska lägga märke till sågens svängningar och slag som kan påpeka en dålig vägning av skärskiva.
22. Före skärning ska man vänta tills skärskiva når dess maximal hastighet.
23. Såg får inte användas till mejsling, spant och räfflor.
24. Under sågens arbete, när dess spets inte finns i viloläge, från skärningsställe får man inte avlägsna några rester och andra delar av ett skuret material.
25. Vid någon oriktighet ska arbetet avbrytas omedelbart.
26. Före inställningars ändring eller före avlägsnande av något element, ska såg avkopplas och man ska vänta tills sågen stannar.
27. Före skivans utbyte, servicearbeten och när sågen inte används, ska man koppla den av inmatningsnät.
28. En del damm som uppstår under skärning innehåller kemiska medel som kan förorsaka tumörer, fosterskador och andra likadana skador. Sådana medel är:
  - Bly som kommer från material målade med en färg baserad på bly
  - Arsenik och krom från trä som blivit kemiskt behandlat
 Faran som kommer från sådana kemiska medel beror på arbetens frekvens med sådana material. För att minska påverkan av kemiska medel, ska man skära i välventilerade rum och bära skyddsband – som mask mot damm som filtrerar bort små partiklar.
29. Under skärning ska sågen inkopplas till en anordning som samlar damm.
30. Man ska kontrollera om efter uppochner vändning att bordet starkt fäst till golvet.

#### **VARNING**

**Begränsningar för omgivningsförhållanden: < 40°C. Använd inte i förhållanden där temperaturen är under 0°C. Om det motordrivna verktyget förvaras i en temperatur under 0°C, se till att den värms upp i rumstemperatur under minst en timme före användning. Detta förhindrar eventuella skador på komponenter och kablar.**

#### **Såg använd som vinkelsåg.**

31. Sågen ska inte användas till skärning av andra material än trä, aluminium och liknande.
32. Under skärning av en behandlat element nära skärskiva ska man inte utföra några operationer med händer. Under alla operationer ska det skurna element vara fäst till vändskiva och kullager.
33. Vändskiva ska kontrolleras med hänsyn till riktig fästning, så att den inte kommer att förskjutas.
34. För att skära snett, ska armen kontrolleras med hänsyn till en fast fästning. För att fasta armen, ska drivkraft riktas till höger.
35. Före sågens inkoppling med hjälp av strömbrytare., ska man kontrollera om skärskiva i den lägste positionen inte har någon kontakt med vändskiva och med bearbetat element.

36. Skaften ska hållas fast. Man ska komma ihåg att sågen förskjuts lite upp eller ner under igångsättning och fränkoppling.

**Såg använd som bordsåg.**

37. Inte någon operation ska utföras manuellt. En handgjord operation betyder att stödja eller leda ett skuret element istället för sågens kullager.
38. Man ska kontrollera om vändskiva är fastmonterad.
39. Man ska kontrollera om armen är fast fäst i sitt arbetsläge. För att fästa armen, ska drivkraft riktas till höger.
40. För att undvika manuell arbete eller arbete med fingrar i skärskivans närhet, ska man använda knuffanordning eller knuffblock.
41. Före sågens igångsättning, ska man kontrollera om sågens skiva inte har någon kontakt med klyvkiel eller med bearbetat element.
42. En icke använt element ska man förvara.
43. Man ska ta särskilt hänsyn till anvisningar angående "UTKASTNING". "UTKASTNING" är en plötslig reaktion på en tryckt, blockerad och ojämn skärskiva. "UTKASTNING" gör att ett skuret element kan bli utkastat mot en person som betjänar såg.
- "UTKASTNING" KAN FÖRORSAKA ALLVARLIGA PERSONSKADOR. För att undvika detta, ska man skivan vara vass, kullager ska hållas pararell mot skärskiva, klyvkiel och skydd av skärskiva ska vara monterade för att allt fungerade riktigt. Det skurna element ska inte vara frigjort innan det blir utom räckvidd av skärskiva. Man ska inte skära ett skadat, felaktigt eller vridet element på längden eller om det inte har en rak rand som ligger i kullager.
44. Man ska undvika snabba, plötsliga rörelser. Under skärning av hårda element ska man flytta elementet långsamt. Under förflyttning ska man inte vika eller vrida det skurna element. Om skivan blir blockerad på ett skuret element, ska sågen stoppas omedelbart. Efteråt ska den fränkopplas från inmatningsnät och blockad ska vara avlägsnad.
45. Före sågens uppochner vändning ska man kontrollera om begränsningsbult har säkert blockerat sågens spets i det lägsta läget.

**KOMPONENTER OCH KONTROLLER  
(BILD 1 TILL 1C)**

**BORDSSÅG DELAR**

1.	Klyvkniv
2.	Fäststift till skärbladets skydd
3.	Skydd för skärblad
4.	Låsknapp för skärbladets tiltspak
5.	Reglage för höjning/sänkning av skärblad
6.	Låsspak för skärbladets tiltning
7.	Nedre skydd för skärblad
8.	Brytare
9.	Hållare för strömkabel
10.	Fästskruv för skyddsstyrning
11.	Låsspak för rotation av arbetsbord
12.	Arbetsbord
13.	Skyddsstyrning
14.	Skärblad
15.	Kapningsstyrning
16.	Fixeringsreglage för kapningsstyrning
17.	Låsreglage för geringslikaren
18.	Geringslikaren
19.	Hjul
20.	Hållare för skjutstock
21.	Låsreglage för ben
22.	Ben
23.	Justerbar fot
24.	Plats för geringslikaren
25.	Vinkelskala för tiltning av skärblad
26.	Tiltningsindikator för skärblad
27.	Fixeringsreglage för skyddsstyrning

## GERINGSSÅG DELAR

28. Låsstift för huvud
29. Låsreglage för bordsrotation
30. Styrning
31. Vridbord
32. Vinkelskala för vridbord
33. Kolborstlock
34. Flyttbart skydd
35. Fixeringsreglage för klyvkniv
36. Dampåse
37. Dammutblås
38. Stationärt skydd
39. Låsspak för flyttbart skydd
40. Låsknapp för brytare
41. Handtag
42. Brytare
43. Låsreglage för vertikal klämma
44. Vertikal klämma
45. Låsspak för vertikal klämma
46. Låsspak för huvudläge
47. Begränsare
48. Låsspak för axel

\* Skillnader kan förekomma mellan produkt och ritningar.

## UPPACKNING

Varning! Denna förpackning innehåller vassa föremål. Var försiktig vid uppackning. Ta ut maskinen, tillsammans med medföljande tillbehör, från förpackningen. Kontrollera noggrant att maskinen är i ett gott skick och att alla tillbehör som anges i denna bruksanvisning medföljer. Se även till att alla tillbehör är fullständiga. Om någon del saknas, returnera maskinen och dess tillbehör i sin originalförpackning till återförsäljaren.

Kasta inte förpackningen, förvara den på en säker plats under garantiperioden och återvinn den sedan. Låt inte barn leka med tomma plastpåsar på grund av risken för kvävning.

## MONTERING

Obs! Innan du utför någon montering eller demontering av enheten, säkerställ att enheten inte är ansluten till eluttaget.

**WARNING:** Håll golvytan runt verktyget väl underhållen och fritt från löst material som t.ex. träflis och avkapade delar.

## MONTERING AV KAP OCH GERSÅG (BILD A)

Luta sågen något åt sidan. Använd skruvarna och låsreglagen för ben (21) (medföljer) för att montera benen (22) till basen.

Ställ in de justerbara fötterna (23) så att kap och gersågen står stadigt.

## DAMMUTSUG (BILD B)

För att montera dampåsen (36), skjut in den ordentligt i dammutblåset (37) (vid användning i läget geringssåg). För att tömma dampåsen (36), ta ut den från dammutblåset (37) och öppna blixtlåset för att tömma påsens insida. När en mer effektiv dammutsugning krävs, i synnerhet för hälsofarligt cancerogent damm, montera suganordningens slag direkt till dammutsuget (37) (vid användning i läget bordssåg) eller utloppet i skärbladets nedre skydd (7) (vid användning i läget geringssåg).

Obs! Töm dampåsen regelbundet. För optimal dammutsugning, töm när den är 2/3 full.

## MONTERING AV SKÄRBLADETS NEDRE SKYDD (BILD C)

I läget geringssåg måste skärbladets nedre skydd monteras för att täcka den nedre delen av skärbladet.

Montera fast skärbladets nedre skydd (7) och fäst det med skruvarna.

Ta bort skärbladets nedre skydd (7) innan läget bordssåg används.

## TRANSPORTERING (BILD D OCH E)

Innan verktyget flyttas, utför följande procedur:

Ställ in verktyget i läget bordssåg.

Ta bort skyddsstyrning (13) och geringslikare (14).

Montera skärbladets nedre skydd (7).

Luta sågen något åt sidan.

Lossa på benens låsreglage (21) vid hjulen (19), vrid benen (22) på insidan i 90 ° (längs med sågen) och lås fast dem i detta läge med benens låsreglage (21).

Gör samma förfarande med det andra benparet (22) och vrid dem 90 ° på utsidan av verktyget (Bild D).

Vänd på sågen så att den står på hjulen, ta tag i benen (22) med bägge händerna och rulla sågen till önskad plats (Bild E).

Följ ovanstående procedur i omvänd ordning för att försätta sågen i läget bordssåg eller geringssåg igen.

## MONTERA HÅLLARE FÖR STRÖMKABELN

Montera hållaren för strömkabeln (9) med medföljande skruvar. Positionen för strömkabelns hållare visas i Bild 1.

## MONTERA HÅLLARE FÖR SKJUTSTOCK

Montera hållare för skjutstock (20) med medföljande skruvar. Positionen för strömkabelns hållare visas i Bild 1A.

## **DRIFT OCH INSTÄLLNINGAR**

Säkerställ att sågen är bortkopplad från strömförsörjningen innan du utför några justeringar. För att garantera säker, exakt och effektiv sågdrift, gå vidare med alla justeringsprocesser som en helhet.

När alla inställningar och justeringar är slutförda, se till att alla justeringsnycklar har samlats in. Kontrollera att alla sammanfogade delar är korrekt monterade.

När du utför justeringar, säkerställ att alla externa delar fungerar korrekt och uppfyller alla förhållanden som krävs för korrekt användning. Slitna eller skadade delar måste bytas ut av kvalificerad personal innan sågen används.

## **REKOMMENDATIONER FÖR KAPNING**

Det rekommenderas att göra en testkapning efter varje justering för att säkerställa att de nya inställningarna och måtten för kapning är korrekta.

När sågen har startats, vänta tills skärbladet uppnått sin högsta fart innan en kapning utförs.

Se till att långa objekt inte faller ner efter kapning (t.ex. med ett rullstöd).

Var mycket försiktig när du börjar kapa!

Vid kapning av trä som redan använts, se till att det inte förekommer några oönskade föremål som t.ex. spikar, skruvar osv.

Vänta tills skärbladet stannat helt innan avkapade bitar tas bort.

Håll alltid i huvuddelen av det bearbetade materialet. Håll aldrig i delen som kapas av.

## **BORDSSÅG-LÄGE**

### **STÄLLA IN KLYVKNIVEN (BILD F)**

Ställ in arbetsbordet (12) till läget geringssåg.

Placera skärbladet i 0 ° kapningsläge.

Ställ in geringssågen i högsta läget genom att frigöra låsstiftet för huvud (28) från låshålet. Vrid låsstiftet för huvudet 90 ° så att det stannar i öppet läge.

Lossa på fixeringsreglaget för klyvkniven (35) och vrid klyvkniven (1) till läget där den täcker skärbladet (14), så att hylsans utskjutningar matchar styrspåren. Du måste dra tillbaka klingskyddet helt för att klyvkniven (1) ska passa ordentligt på plats. För att dra tillbaka klingskyddet, tryck på låsspaken för det flyttbara skyddet (39). Var försiktig när du drar tillbaka klingskyddet eftersom klingan är vass och kan orsaka personskador.

Dra åt fixeringsreglaget för klyvkniven (35) för att fixera den på plats.

Dra ner såghuvudet till det lägsta läget och vrid reglaget för höjning/sänkning av skärblad (5) tills låsstiftet för huvudet (28) aktiveras i låshålet.

Dra i låsspaken för rotation av arbetsbord (11) och vrid arbetsbordet (12) till läget för bordssåg.

Obs! Ställ in klyvkniven (1) så att avståndet mellan skärbladet (4) och klyvkniven är mellan

3-5 mm (klyvkniven bör positioneras så att den är i exakt linje med skärbladet) (bild G). Kontrollera klyvknivens position efter varje utbyte av skärbladet.

### **MONTERA SKÄRBLADETS SKYDD (BILD H)**

Tryck in knappen på fäststiftet till skärbladets skydd (2) och placera skärbladets skydd (3) på klyvkniven (1).

Du kan ta bort skärbladets skydd genom att följa ovanstående förfarande i omvänd ordning.

Obs! Montera skärbladets skydd så att det lyfts upp när materialet matas mot skärbladet och faller ner obehindrat när kapningen är slutförd.

### **MONTERA SKYDDSTYRNING (BILD I)**

Skyddsstyrningen kan monteras på endera sida av skärbladets skydd på arbetsbordet.

Skjut in fixeringen för skyddsstyrningen (13) i arbetsbordets (12) styrspår.

Ställ in skyddsstyrningen (13) i önskat läge (använd skalan) och säkerställ läget med fixeringsreglaget för skyddsstyrning (27).

Det rekommenderas att göra en testkapning, mätning och justera om skyddsstyrningen om nödvändigt.

För att förhindra att bearbetat material fastnar, lossa fästskruven för skyddsstyrningen (10) och flytta skyddsstyrningen (13) på längden (Bild I).

Obs! Positionera om skyddsstyrningens fixering vid montering av skyddsstyrningen på den andra sidan av arbetsbordet.

### **PÅSLAGNING OCH AVSTÄNGNING (BILD J)**

Nätspänningen måste stämma överens med spänningen på sågens märkplåt.

Slå endast på sågen när det bearbetade materialet är borta från skärbladet.

Påslagning – tryck på knappen I på brytaren (8)

Avstängning – tryck på knappen O på brytaren (8)

### **JUSTERING AV SKÄRDJUP**

Vrid reglaget för höjning/sänkning av skärblad (5) mot eller medurs för att höja eller sänka skärdjupet.

Obs! Sågen bör justeras så att sågbladets högsta punkt är just ovanför ytan på det material som ska kapas.

### **VINKELKAPNING (BILD K)**

Använd alltid skyddsstyrningen vid vinkelkapning.

Lossa på låsspaken för skärbladets tiltning (6). (Det kan underlätta att trycka in lås-knappen för skärbladets tiltning (4) och sedan ändra position för låsspaken för skärbladets tiltning (6).

Ställ in skärbladet (14) till högsta skärdjup.



Ändra position för skärbladet (14) för att erhålla önskad vinkel som visas på tiltningsindikatorn för skärbladet (26) och vinkelskalan för tiltning av skärbladet (25).

Dra åt låsspaken för skärbladets tiltning (6).

Ställ in skyddsstyrningen (13) till önskat skärdjup.

Slå på sågen och gör en kapning.

### **GERINGSSÅGSKAPNING MED GERINGSLIKAREN (BILD L)**

Du kan montera geringslikaren i en av två styrspår på bägge sidor av arbetsbordet.

Ta bort skyddsstyrningen (13) från arbetsbordets (12) överdel.

Placera geringslikaren (18) i en av platserna för geringslikaren (24).

Använd fixeringsreglaget för kapningsstyrning (16) för att montera kapningsstyrning (15) till geringslikaren (18). Ställ in önskad skärvinkel och fixera den med låsreglaget för geringslikaren (17) (Bild L).

När tiltning av skärbladet krävs för vinkelkapning, ställ in kapningsstyrningen (15) så att den inte kontaktar skärbladet (det är möjligt att flytta kapningsstyrningen).

Innan sågen slås på, flytta geringslikaren (18) mot skärbladet och se till att kapningsstyrningen (15) är cirka 2 cm från skärbladet.

Tryck bearbetat material ordentligt mot kapningsstyrningen (15).

För att göra en kapning, slå på sågen och flytta geringslikaren med kapningsstyrningen och det bearbetade materialet mot skärbladet.

Obs! Flytta alltid materialet som skapas tillräckligt långt för att slutföra kapningen.

Vid kapningsstyrning, använd inte skyddsstyrningen som längdbegränsare för material som kapas, eftersom denna del kan fastna mellan skyddsstyrningen och skärbladet och orsaka en rekyl.

### **RIPPNING**

Rippning är att kapa material till önskad bredd längs hela dess längd.

Ställ in skyddsstyrningen (13) till lämpligt skärdjup.

Slå på sågen och vänta tills skärbladet uppnått full rotationshastighet.

Tryck materialet mot skyddsstyrningen (13) och flytta det mot skärbladet till slutet på klyvkniven (1) (använd skjutstocken i närheten av skärbladet).

Lämna det kapade materialet på arbetsbordet tills skärbladet stannat helt.

Obs! Utför en testkapning efter varje justering för att säkerställa att den nya inställningen är korrekt. Stå på sidan av skärlinjen när du utför en kapning.

### **KAPA SMÅ FÖREMÅL**

Ställ in skyddsstyrningen (13) till lämpligt skärdjup.

Mata in materialet med båda händerna. Använd alltid skjutstocken (medföljer) när du närmar dig skärbladet för att flytta materialet eller använd en extra träbit för att trycka materialet som ska kapas mot skyddsstyrningen (13).

Tryck alltid det kapade materialet till slutet av klyvkniven (1).

Obs! Använd skjutstycken under hela kapningen av korta och smala föremål.

### **GERINGSSÅG-LÄGET**

Om verktyget inte har använts eller använts i läget bordssåg, använd reglaget för höjning/sänkning av skärbladet för att sänka skärbladet till det lägsta läget.

### **MONTERING (BILD M)**

Ta bort skärbladets nedre skydd (3).

Ställ in skärbladet (14) till det lägsta läget med reglaget för höjning/sänkning av skärbladet (5).

Ta bort skyddsstyrning (13) och geringslikare (18).

Montera skärbladets nedre skydd (7).

Dra ut låsspaken för rotation av arbetsbord (11) och vrid arbetsbordet (12) 180 ° tills det tydligt hörs hur låsspaken för rotation av arbetsbord (11) klickar på plats (Bild M).

Lossa på fixeringsreglage för klyvkniven (35) och vrid klyvkniven (1) till läget där skärbladet (14) blottas, så att hylsans utskjutningar matchar styrspårerna.

Dra åt fixeringsreglaget för klyvkniven (35) för att fixera den på plats.

### **ANVÄNDA SÅGARM (BILD N)**

Sågarmen har två olika lägen: övre och nedre. Gör följande för att frigöra huvudet från det låsta nedre läget:

Tryck in sågarmen lätt och håll kvar den i det läget.

Dra ut låsstiftet för huvudet (28), så säkerhetsbulten glider ut ur låshålet.

Vrid låsstiftet för huvudet (28) i 90 ° och lås på plats (Bild N). Håll i sågarmen medan den lyfts till det övre läget.

Du kan låsa sågarmen i det nedre läget genom att följa upplåsningssprocedurerna i omvänd ordning efter att låsspaken för det flyttbara skyddet (39) frigjorts.

### **MONTERA VERTIKAL KLÄMMA (BILD O)**

Den vertikala klämman kan monteras på endera sida av arbetsbordet är fullt justerbar efter storleken på föremålet som ska kapas.

Montera den vertikala klämman (44) i ett av hålen på arbetsbordet.

Dra åt låsreglaget för den vertikala klämman (43).

Vrid den gängade stången för att matcha den vertikala klämman (44) med det bearbetade materialet

Säkerställ den genom att trycka in den i låsreglaget för den vertikala klämman (45) (Bild O).

Obs! Fixera alltid materialet som ska bearbetas för att säkerställa optimal säkerhet. Kapa inte föremål som är för små för att fixera på plats.

### **JUSTERA SKÄRDJUP (BILD N OCH P)**

Innan du börjar arbeta så måste du kontrollera högsta skärdjup, för att säkerställa att skärbladet inte har kontakt med basen för kap och gersågen.

Ställ in vridbordet (31) och sågarmen i läget 0 °.

Ändra läget för begränsaren (47) så att den vilar mot justeringsskruven (a) (Bild N).

Sänk sågarmen och håll den på plats, tryckt mot stoppdelen.

Vrid skärbladet (14) för hand och se till att det kan röra sig fritt.

En korrekt justering av det fulla skärdjupet bör låta skärbladet (14) sticka in 5 mm under vridbordets (31) övre yta (Bild P).

Om inställningen är felaktig, vrid justeringsskruven (a) (Bild N) med- eller moturs tills skärbladets insticksdjup är korrekt.

### **PÅSLAGNING OCH AVSTÄNGNING (BILD R)**

Nätspänningen måste stämma överens med spänningen på sågens märkplåt.

Slå endast på sågen när skärbladet inte har kontakt med materialet som ska kapas.

Geringssågen har en lås knapp för brytaren (40) som skyddar mot oavsiktlig start.

### **PÅSLAGNING**

Tryck på lås knappen för brytaren (40).

Tryck och håll ner brytarknappen (42) (Bild R).

### **AVSTÄNGNING**

Släpp upp brytarknappen (42).

Obs! I läget geringssåg är brytaren (8) inaktiverad.

### **KAPA SMALA MATERIALDELAR**

Kapning används oftast för smala materialdelar. Innan du startar, säkerställ att låsreglaget för bordsrotation (29) och låsspaken för skärbladets tiltning (6) är ordentligt åtdragna.

Fixera materialet till arbetsbordet, med dess storlek i åtanke.

Ställ in önskad skärvinkel.

Lås upp sågarmen och skärbladets skydd.

Tryck på brytarknappen (8) (vänta tills skärbladet uppnått sin högsta rotationshastighet).

Håll ordentligt i handtaget (41) och sänk långsamt ner verktyget. Starta en kapning genom att applicera ett måttligt tryck.

Stång av sågen och vänta tills skärbladet stannat helt.

Lyft långsamt upp sågarmen.

Fara! Om låsreglaget för bordsrotation inte är ordentligt åtdraget kan det orsaka oväntade rörelser av skärbladet på materialets övre yta. Det försätter operatören i fara för att träffas av en materialdel.

### **STÄLLA IN ARBETSBORDET FÖR GERINGSSÅGSKAPNING (BILD S)**

Vridbordet (31) låter dig kapa material i valfri vinkel inom 45 ° till vänster eller höger från den vinkelräta positionen.

Dra ut och vrid låsstiftet för huvudet (28) och låt sågarmen långsamt lyftas upp till det övre läget.

Lossa på låsreglaget för bordsrotation (29).

Ställ in vridbordet (31) till önskad vinkel i enlighet med vinkelskalan för vridbordet (32) (Bild S).

Lås fast genom att dra åt låsreglaget för bordsrotation (29).

Det finns många skåror på vridbordet (31) för att enkelt välja en vinkel som ofta används. Dessa skärvinklar är de vanligaste (0 °, 15 °, 22,5 °, 30 °, 45 ° till vänster eller höger). Du kan ställa in en valfri vinkel exakt med vinkelskalan för vridbordet (32) som är skalad gradvis. Även fast skalan är tillräckligt exakt för de flesta användningar så rekommenderas det att dubbelkolla skärvinkeln med en gradskiva eller liknande verktyg för vinkelmätning.

Obs! Vid användning av snabbinställning för standardvinkel ska haken aktiveras i skåran med ett tydligt ljud.

### **STÄLLA IN SÅGARM (HUVUD) FÖR VINKELKAPNING (BILD T OCH U)**

Sågarmen kan tiltas i valfri vinkel inom intervallen 0 till 45 ° för vinkelkapning (Bild T).

Dra ut låsstiftet för huvudet (28) som frigör sågarmen och låter den lyftas långsamt till det övre läget.

Lossa på låsspaken för skärbladets tiltning (6).

Tilta sågarmen åt vänster till önskad vinkel som visas på vinkelskalan för tiltning av skärbladet (25) (Bild U).

Dra åt låsspaken för skärbladets tiltning (6).

Obs! Om du måste ställa in båda vinklarna (horisontellt och vertikalt) för sammansatt kapning, ställ alltid in fasvinkeln först.

## **KONTROLLERA OCH JUSTERA DET VINKELRÄTA LÄGET FÖR SÅGBLAD OCH ARBETSBORD (BILD U OCH W).**

För att garantera exakta kapningar, kontrollera regelbundet sågens allmänna inställningsparametrar och justera om dem vid behov.

Lossa på låsspaken för skärbladets tiltning (6).

Ställ in huvudet i det extrema högerläget (vinkelrätt mot vridbordet) och dra åt låsspaken för skärbladets tiltning (bild 6) (Bild U).

Lossa på låsreglaget för bordsrotation (29).

Ställ in vridbordet (31) i läget 0 ° och dra åt låsreglaget för bordsrotation (29).

Tryck in låsspaken för det flyttbara skyddet (39) och sänk såghuvudet till det extrema nedre läget.

Använd verktyget för att kontrollera det vinkelräta läget för skärbladet och vridbordet (31).

Obs! Vid justeringar, se till att mätanordningen inte rör i något av skärbladets tänder, annars kan mätningen bli felaktig.

Om mätningvinkeln inte är 90 ° krävs följande justering:

Tilta såghuvudet till vänster.

Vrid justeringsskruven (b) (Bild U) med- eller moturs för att öka eller minska skärbladets tiltningsvinkel.

När den vinkelräta positionen för skärbladet och arbetsbordet har ställts in, låt huvudet återgå till det övre läget.

Utför en liknande justering för huvudets 45 ° fasvinkel med justeringsskruven (c) (Bild W), hittas på motsatta sidan av sågarmen.

## **UNDERHÅLL**

Obs! Innan du utför något underhåll av enheten, säkerställ att enheten inte är ansluten till eluttaget.

## **RENGÖRING**

När arbetet är klart, ta noggrant bort alla materialdelar och damm från arbetsbordet och området runt skärbladet och dess skydd.

Rengör sågen med en borste eller tryckluft.

Använd aldrig vatten eller någon annan kemikalisk vätska vid rengöring av sågen.

Rengör ventilationshålen regelbundet för att förhindra att motorn överhettas.

Förvara sågen på en torr plats, utom räckhåll för barn.

För att upprätthålla produktens SÄKERHET och DRIFTSÄKERHET bör reparationer, övrigt underhåll och justeringar utföras av ett auktoriserat servicecenter, som alltid använder reservdelar.

Kontrollera regelbundet att alla bultar och fästskruvar är åtdragna. De kan lossna efter en tids användning.

## **BYTA UT SKÄRBLADET (BILD X)**

Byt ut skärbladet när verktyget är inställt i läget geringssåg.

Dra ut låsstiftet för huvudet (28) för att låsa upp sågarmen.

Låt alltid sågarmen återgå försiktigt till det övre läget.

Tryck och håll in låsspaken för det flyttbara skyddet (39).

Dra upp det flyttbara skyddet (34) för att komma åt skärbladets (14) fästskruv.

Tryck och håll in låsspaken för axeln (48) (det kan vara nödvändigt att vrida skärbladet för låsa axeln).

Använd medföljande insexnyckel för att skruva upp skärbladets (14) fästskruv. Vred medurs (bild X).

Släpp upp låsspaken för axeln (48) och ta bort skruven som fixerar skärbladet och den yttre kragen.

Rengör alla delar som ska monteras före monteringen.

Montera skärbladet på den inre kragen.

Placera det nya skärbladet så att sågtänderna och pilen på skärbladet matchar riktningen för pilen på det stationära skyddet (38).

Sätt på den yttre kragen, håll in låsspaken för axeln och dra åt fixeringsskruven för skärbladet i moturs riktning.

Frigör det flyttbara skyddet (34) till sitt standardläge (skyddet måste täcka skärbladet helt).

Säkerställ att det flyttbara skyddet (34) är i korrekt läge och kan röra sig fritt vid lyftning eller sänkning av sågarmen.

Obs! Var noga med att hålla en korrekt riktning för skärbladets rotation (se pilen på skärbladet och det stationära skyddet). Efter att skärbladet har bytts ut, säkerställ att skärbladet rör sig fritt genom att snurra det för hand.

## **BYTE AV KOLBORSTE (BILD Y OCH Z)**

Byt omedelbart ut slitna (kortare än 5 mm), brända eller spruckna motorkolborstar. Byt alltid ut båda kolborstarna samtidigt.

Byt ut kolborstarna när verktyget är inställt i läget geringssåg.

Skruva upp kolborstlocken (33) (Bild Y).

Ta bort de förbrukade kolborstarna.

Ta bort eventuellt koldamn med tryckluft.

Montera de nya kolborstarna (borstarna ska passa in utan problem i borsthållarna) (Bild Z).

Skruva tillbaka kolborstlocken (33).

Obs! Efter att kolborstarna har bytts ut, starta sågen utan belastning och vänta tills kolborstarna anpassats till motorns kommutator. Det rekommenderas att endast överlåta utbyte av kolborstar till en kvalificerad person. Endast originaldelar bör användas.

#### TEKNISKA DATA

Diameter Av en skärskiva	254 mm
Kännetecknad starteffekt	1.800 W
Håldiameter	30 mm
Hastighet i en olastat tillstånd	4.200 min <sup>-1</sup>
Nettovikt	32 Kg
Säkerhetskrav	II
Nivå av en akustiskt tryck	91,9 dB (A)
Nivå av en akustisk effekt	104,9 dB (A)
Vibration:	1,729 m/s <sup>2</sup> , K=1,5 m/s <sup>2</sup>

#### Maximala skärningar som en vinkelsåg

90° x 90°	65 x 155 mm
90° x 45°	65 x 105 mm
45° x 90°	40 x 155 mm
45° x 45°	40 x 105 mm

#### Maximala skärningar som en bordsåg

90°	70 mm
45°	50 mm

#### MILJÖSKYDD

Information (för privathushåll) om miljösäkert bortskaffande av avfall som utgörs av eller innehåller elektriska eller elektroniska produkter (WEEE).



Denna symbol på produkter eller medföljande dokument innebär att använd och konsumerad elektrisk och elektronisk utrustning inte får slängas bland de vanliga hushållssoporna. För korrekt bortskaffande, behandling, återställning och återvinning ska du lämna dessa produkter på särskilt avsedda uppsamlingsplatser där de tas omhand utan kostnad. I vissa länder kan ett alternativ vara att skicka tillbaka produkten till återförsäljaren mot köp av en liknande ny produkt. Korrekt bortskaffande av produkten innebär att viktiga resurser sparas och motverkar farliga konsekvenser för människor och miljön som annars kunnat uppstå på grund av felaktigt bortskaffande och hantering. Kontakta de lokala myndigheterna för mer information om

närmaste uppsamlingsplats. Det kan vara straffbart att bortskaffa produkten på annat sätt än utfäst enligt nationell lag.

#### FÖR FÖRETAGSANVÄNDARE INOM EU.

Om du vill bli av med elektrisk och elektronisk utrustning ska du kontakta din återförsäljare eller leverantör för ytterligare information.

#### Information om bortskaffande i andra länder utanför EU.

Denna symbol gäller endast inom EU.

Om du önskar att bli av med denna produkt ska du kontakta de lokala myndigheterna och fråga efter korrekt bortskaffning.



## Symboler

Märkskylten på verktyget kan ha vissa symboler. Dessa ger viktig information om produkten eller användarinstruktion.



Bär hörselskydd.

Bär skyddsglasögon.

Bär munskydd.



Dubbla lager för extra skydd.



Följ uppsatta säkerhetskrav.



Läs bruksanvisningen.



Rör INTE klingan när den är i rörelse



Gå INTE nära maskinen med löst sittande kläder



Överblivna elektriska produkter får inte slängas i det vanliga hushållsavfallet. Lämna dessa på återvinningsstationer. Hör med de lokala myndigheterna eller återförsäljare om råd rörande återvinning.



Produkten tillverkas i enlighet med RoHS-direktivet.



Tag INTE bort skydd eller delar medan maskinen är i bruk



Rengör, smörj eller reparera INTE delar i rörelse



Risk för flisor

## ELEKTRISKE DATA

### VIKTIG

Dette produktet er utstyrt med et tett elektrisk støpsel som er kompatibelt med verktøyet og strømmen i landet ditt og det tilfredsstillende kravene i de internasjonale standardene.

Dette apparatet må koples til en spenning lik den som er oppført på skiltet. Dersom støpselet eller strømledningen er skadet må de skiftes ut med en komplett enhet lik den originale.

Du må alltid følge lovene i landet ditt angående tilkøpling til strømnettet.

I tvilstilfeller, ta alltid kontakt med en kvalifisert elektriker.

### INNLEDNING

Takk for at du kjøpte dette produktet som har gjennomgått vår omfattende kvalitetssikringsprosess. Alt er gjort for at produktet leveres i perfekt stand.

### SIKKERHETEN FØRST

Før bruk av dette elektroverktøyet bør følgende sikkerhetsmessige forholdsregler tas for å begrense risiko for brann, elektrisk støt og skade på person. Det er viktig å lese brukermanualen for å forstå apparatet, begrensninger og potensielle farer knyttet til dette verktøyet.

### GARANTISERTIFIKAT

Dette produktet har en garanti på 2 år, som trer i kraft fra kjøpsdato og gjelder kun opprinnelig kjøper. Denne garantien gjelder bare skader som følge av defekte materialer og/eller utførelsesfeil som kommer for en dag kun i garantiperioden og inkluderer ikke rekvisita. Fabrikanten vil reparere eller bytte produktet etter sitt skjønn, underlagt følgende. At produktet har blitt brukt i henhold til veiledningen beskrevet i produktmanualen og at det ikke har blitt utsatt for misbruk, mishandling eller blitt brukt til noe det ikke er ment for.

At det ikke har blitt demontert eller klusset med på noen som helst måte eller har blitt reparert av uautorisert personell eller har blitt brukt til profesjonelle formål. Transportskader kommer ikke inn under denne garantien, da transportfirmaet er ansvarlig for slik skade. Krav rettet under denne garantien må i første omgang rettes direkte til forhandleren innenfor garantiperioden. Bare under eksepsjonelle forhold bør produktet returneres til fabrikant. I slike tilfeller er det forbrukers ansvar å returnere produktet for egen kostnad og forsikre seg om at produktet er forsvarlig pakket for å unngå transportskade, og kort feilbeskrivelse samt kopi av kjøpskvittering eller annet kjøpsbevis må vedlegges. Fabrikanten kan ikke holdes ansvarlig for noen spesiell, eksemplarisk, direkte, indirekte tilfeldig, eller følgetap eller skade under denne garantien. Denne garantien er et tillegg og påvirker ikke noen rettigheter der forbrukeren kan ha hjemmel i kjøpsloven av 1973, med endringer 1975 og 1999.

**Elektroverktøyet er kun beregnet til husbruk. Elektroverktøyet passer ikke til og er ikke beregnet for kommersiell eller profesjonell bruk.**

**Garantien dekker ikke mangler og skader av elektroverktøy for bruk og formål utenom husbruk, spesielt som resultat av dytting gjennom og misbruk.**

“Garantien er ugyldig dersom verktøyet er skadet grunnet en av betingelsene nedenfor:

1. Misbruk av produktet eller forsømmelse av ordentlig vedlikehold av produktet,

2. Bruk som er kommersiell, profesjonell eller til utleie,
3. Reparasjon utført av et uautorisert serviceselskap,
4. Skader forårsaket av eksterne gjenstander eller stoffer.”

### LOVPÅLAGTE RETTIGHETER

Denne garantien er et tillegg og påvirker på ingen måte dine lovpålagte rettigheter.

### DEPONERING AV PRODUKTET

Når dette produktet er utbrukt eller av en eller annen grunn kastes, må det ikke kastes i husholdningsavfallet. For å bevare naturressurser og minske negative miljøkonsekvenser, vær vennlig å resirkulere eller avhende produktet på en miljøvennlig måte. Det bør bringes til en lokal avfallsstasjon eller en annen autorisert innsamlingsinstans for håndtering av avfall.

Hvis du er i tvil, rådfør deg med ditt lokale renovasjonsfirma for informasjon vedrørende tilgjengelig resirkulering og/eller muligheter for avhending.

### GENERELLE SIKKERHETSREGLER

**ADVARSEL!** Les alle instruksjonene.

Mangel på å følge alle instruksjonene listet opp nedenfor kan resultere i elektrisk støt, brann og/eller alvorlig skade. Uttrykket ”elektroverktøy” i alle advarslene listet opp nedenfor, refererer til ditt strømdrevne (med kabel) elektroverktøy eller batteridrevne (kabelfrie) elektroverktøy.

### TA VARE PÅ DISSE INSTRUKSENE

#### 1) ARBEIDSOMRÅDE

- a) Hold arbeidsområdet rent og godt belyst. Rotete og mørke steder kan føre til ulykker.
- b) Ikke bruk elektroverktøy i eksplosive miljø, som i nærheten av brennbare væsker, gasser eller støv. Elektroverktøy lager gnister som kan antenne støv eller røyk.
- c) Hold barn og tilskuere på avstand ved bruk av elektroverktøyet. Distraksjoner kan føre til at du mister kontroll.

#### 2) ELEKTRISK SIKKERHET

- a) Elektroverktøyets støpsel må passe til strømuttaket. Modifiser aldri støpselet på noen som helst måte. Ikke bruk adapter med jordede elektroverktøy. Umodifiserte støpsler og samstemmende uttak reduserer risikoen for elektrisk støt.

- b) Unngå kroppskontakt med jordede elementer som rør, radiatorer, komfyrer og kjøleskap. Det er større fare for elektrisk støt hvis kroppen din er jordet.
- c) Ikke utsett elektroverktøy for regn eller fuktige forhold. Vann i elektroverktøyet vil øke faren for elektrisk støt.
- d) Ikke misbruk ledningen. Bruk aldri ledningen til å bære, dra eller koble fra elektroverktøyet. Hold ledningen unna varme, olje, skarpe kanter eller bevegelige deler.
- e) Ved bruk av elektroverktøy utendørs, bruk en skjøteledning beregnet for utendørs bruk. Bruk av ledning beregnet for utendørs bruk reduserer risikoen for elektrisk støt.
- d) Oppbevar inaktive elektroverktøy utenfor barns rekkevidde og ikke tillat personer som ikke har kjennskap til elektroverktøyet eller disse instruksene å bruke elektroverktøyet. Elektroverktøy er farlig i hendene på utrente brukere.
- e) Vedlikehold elektroverktøy. Sjekk for misforhold i bevegelige deler, brudd i deler og andre ting som kan påvirke elektroverktøyet funksjon. Få elektroverktøyet reparert hvis det er ødelagt. Mange ulykker er forårsaket av dårlig vedlikeholdte elektroverktøy.
- f) Hold skjæreverktøy skarpe og rene. Ordentlig vedlikeholdt skjæreverktøy med skarpe kniver har mindre sjanse for å henge seg opp og er lettere å kontrollere.

### 3) PERSONLIG SIKKERHET

- a) Vær årvåken, se hva du gjør og bruk sunn fornuft ved bruk av et elektroverktøy. Ikke bruk et elektroverktøy når du er trøtt eller under påvirkning av narkotika, alkohol eller medikamenter. Et øyeblikks uoppmerksomhet ved bruk av elektroverktøy kan resultere i alvorlig personskade.
- b) Bruk sikkerhetsutstyr. Bruk alltid vern for øynene. Sikkerhetsutstyr som støvmaske, sklisliske vernesko, hjelm eller hørselsvern for passende forhold, vil redusere personskade.
- c) Unngå utilsiktet start. Forsikre deg om at bryteren er i off-posisjon før tikobling. Å bære elektroverktøy med fingeren på bryteren eller å koble til elektroverktøy med bryteren på, forårsaker ulykker.
- d) Fjern eventuell justeringsnøkkel eller fastnøkkel før elektroverktøyet slås på. En fastnøkkel eller nøkkel som er igjen på en roterende del av elektroverktøyet kan resultere i personskade.
- e) Ikke overvurder. Behold en stødig stilling og balanse til enhver tid. Dette gir bedre kontroll over elektroverktøyet i uventede situasjoner.
- f) Kle deg riktig. Ha ikke på løs bekledning eller smykker. Hold hår, klær og hansker borte fra bevegelige deler.
- g) Hvis enheter er utstyrt med tilkobling for støvavsug og oppsamling, forsikre deg om at disse er koblet til og riktig brukt. Bruken av disse enhetene kan redusere støvrelaterte skader.

### 4) BRUK OG PLEIE AV ELEKTROVERKTØY

- a) Ikke tving elektroverktøyet. Bruk det korrekte elektroverktøyet for arbeidet. Det korrekte elektroverktøyet vil gjøre en bedre og sikrere jobb for det som det var laget for.
- b) Ikke bruk elektroverktøyet dersom det ikke slås på eller av med bryteren. Et elektroverktøy som ikke kan styres med bryteren er farlig og må repareres.
- c) Koble fra støpselet fra strømkilden før det gjøres justeringer, skifter deler eller før oppbevaring. Slike preventive sikkerhetstiltak minsker risikoen for utilsiktet start av elektroverktøyet.

- g) Bruk elektroverktøyet, tilbehør og bits etc., i henhold til disse instruksene og på en måte som er ment for det bestemte elektroverktøyet, med tanke på arbeidsforhold og arbeidet som skal utføres. Bruk av elektroverktøyet for annet bruk enn det det er ment for kan resultere i en farlig situasjon.

### 5) SERVICE

- a) La kvalifisert personell utføre service på ditt elektroverktøy, bruk bare identiske utskiftbare deler. Dette vil sikre at elektroverktøyet sikkerhet blir ivaretatt.

### EKSTRA SIKKERHETSREGLER FOR VERKTØY

#### For både gjæringssag-modus og bordsag(benksag)-modus:

- 1 Bruk vernebriller og hørselsvern. Annet egnet personlig verneutstyr skal brukes.
- 2 Bruk ALDRI hansker under drift med unntak for skifte av sagblader eller håndtering av grovt materiale før bruk.
- 3 Hold gulvet rundt verktøyet godt vedlikeholdt og fritt for løse materialer som fliser og avkapp.
4. Ikke bruk sagen uten beskyttelsene og rivkniven på plass. Kontroller bladbeskyttelser for riktig lukking før hver bruk. Ikke bruk sagen hvis bladbeskyttelsene ikke beveger seg fritt og nesten umiddelbart. Aldri klem eller bind bladbeskyttelsene i åpen posisjon. Enhver uregelmessighet på bladbeskyttelsene bør utbedres umiddelbart.
- 5 Rengjør og vær forsiktig for ikke å skade spindelen, flensene (spesielt monteringsoverflaten) og sekskantbolter før eller når du monterer bladet.  
  
Skade på disse delene kan føre til skade på bladet. Dårlig montering kan forårsake vibrasjoner / slingring eller sluring av bladet. Bruk kun flenser som er spesifisert for dette verktøyet.
- 6 Kontroller bladet nøye for sprekker eller skade før bruk. Ikke bruk sagblad som er skadet eller deformert.

- 7 Bruk bare sagblad som anbefales av produsenten, og som samsvarer med EN847-1, og se til at rivkniven ikke er tykkere enn kuttbredden til sagbladet og ikke tynnere enn kroppen av bladet.
  - 8 Bruk alltid tilbehør som anbefales i denne håndboken. Bruk av feil tilbehør som slipende kappskiver kan forårsake personskader.
  - 9 Velg riktig sagblad for materialet som skal kuttes.
  - 10 Ikke bruk sagblad produsert av høyhastighetsstål.
  - 11 For å redusere støy, sørg alltid for at bladet er skarpt og rent.
  - 12 Bruk riktig slipte sagblad. Følg den maksimale hastigheten som er merket på sagbladet.
  - 13 Ikke kutt metaller som spiker og skruer.  
Inspiser for og fjern alle spiker, skruer og andre fremmedlegemer fra arbeidsstykket før kutting.
  - 14 Slå ut eventuelle løse kvisthull fra arbeidsstykket før du begynner å kutte.
  - 15 Ikke bruk verktøyet i nærheten av brennbare væsker eller gasser.
  - 16 For din egen sikkerhet, fjern fliser, små biter, osv. fra arbeidsområdet og bordplaten før du kobler til verktøyet og tar det i bruk.
  - 17 Brukeren er tilstrekkelig opplært i bruk, justering og drift av verktøyet.
  - 18 Hold hender, tilskuere og deg selv vekk fra sagbladet. Unngå kontakt med frispinnende blad. Det kan fortsatt forårsake alvorlige skader og ta aldri rundt sagbladet.
  - 19 Vær på vakt til enhver tid, spesielt under repeterende, ensformige operasjoner. Ikke bli lurt av en falsk følelse av trygghet. Bladene er ekstremt ugjestmilde.
  - 20 Kontroller at aksellåsen frigjøres før bryteren blir slått på.
  - 21 Før du bruker verktøyet på et faktisk arbeidsstykke, la det gå en stund. Se etter vibrasjon eller slingring som kan indikere dårlig montering eller et dårlig balansert blad.
  - 22 Vent til bladet oppnår full hastighet før du kutter.
  - 23 Verktøyet bør ikke brukes til slissing, innfalsing eller sparkutt.
  - 24 Avstå fra fjern avkapp eller andre deler av arbeidsstykke fra kutteområdet mens verktøyet er i gang og saghodet ikke er i hvileposisjon.
  - 25 Stopp umiddelbart hvis du oppdager noe unormalt.
  - 26 Slå av verktøyet og vent til at sagblad har stoppet før du flytter på arbeidsstykket eller endrer innstillinger.
  - 27 Koble fra verktøyet før du bytter blad, utfører vedlikehold eller når det ikke er i bruk.
  - 28 Noe av støvet som kommer fra bruk inneholder kjemikalier som er kjent for å forårsake kreft, fødselsdefekter eller andre reproduksjonsskader. Noen eksempler på disse kjemikaliene er:  
- bly fra blybasert maltmateriale, og  
- arsen og krom fra kjemisk behandlet trelast.  
Din risiko fra disse eksponeringene varierer, avhengig av hvor ofte du gjør denne typen arbeid. For å redusere eksponering av disse stoffene: jobb i et godt ventilert område og arbeid med godkjent sikkerhetsutstyr, slik som støvmaske som er spesielt utviklet for å filtrere ut mikroskopiske partikler.
  - 29 Koble verktøyet til en støvsamlereenhet under saging.
  - 30 Sørg for at bordet er godt festet med spaken når du har slått den over.
- FORSIKTIG**  
**Begrensninger for omgivelser: < 40°C. Skal ikke brukes ved temperaturer under below -0°C (celsius). Hvis elektroverktøyet oppbevares ved en temperatur under -0°C (celsius), sørg for at det varmes opp i romtemperatur i minst 1 time før bruk. Dette forhindrer mulige skader på komponenter og ledninger.**
- Ved bruk i gjæringssagmodus:**
- 31 Ikke bruk sagen til å kutte noe annet enn tre, aluminium eller lignende materialer.
  - 32 Utfør ikke operasjoner på frihånd når du skjærer arbeidsstykket i et område i nærheten av sagbladet. Arbeidsstykket må sikres godt mot dreieskiven og ledegjerde under alle operasjoner.
  - 33 Kontroller at dreieskiven er riktig festet slik at den ikke beveger seg under drift.
  - 34 Kontroller at armen er festet ordentlig fast under skråkutting. Trekk til spaken med klokken for å feste armen.
  - 35 Pass på at bladet ikke kommer i kontakt med dreieskiven i laveste posisjon og er ikke i kontakt med arbeidsstykket før bryteren blir slått på.
  - 36 Hold hardt i håndtaket. Vær oppmerksom på at sagen beveger seg litt opp eller ned under oppstart og stopp.
- Når du bruker i bordsag (benksag)-modus:**
- 37 Ikke utfør noen operasjoner på frihånd. Frihånd innebærer å bruke hendene til å støtte eller lede arbeidsstykket, i stedet for et rivgjerde.
  - 38 Kontroller at dreieskiven er festet skikkelig.
  - 39 Kontroller at armen er festet ordentlig fast i arbeidsposisjonen. Trekk til spaken med klokken for å feste armen.

- 40 Bruk en skyvestokk eller en skyveblokk for å unngå å arbeide med hender og fingre nær sagbladet.
- 41 Kontroller at bladet er ikke kommer i kontakt med rivkniv eller arbeidsstykket før sagen slås på.
- 42 Legg alltid skyvestokken på plass når den ikke er i bruk.
- 43 Vær spesielt oppmerksom på instruksjonene for å redusere risikoen for TILBAKESLAG. TILBAKESLAG er en plutselig reaksjon på et klemt, kilt eller feiljustert sagblad. TILBAKESLAG fører til utstøting av arbeidsstykket fra verktøyet ut mot operatøren. TILBAKESLAG KAN FØRE TIL ALVORLIGE PERSON SKADE. Unngå tilbakeslag

ved å holde bladet skarpt, ved å holde rivgjerdet parallelt med bladet, ved å holde rivkniven og bladbeskyttelsen på plass og i fungerende tilstand, ved å ikke slippe arbeidsstykket før du har skjøvet det hele veien forbi bladet, og ved ikke å rive et arbeidsstykke som er vridd, bøyd eller ikke har en rett kant til å lede det langs gjerdet.

- 44 Unngå brå og rask mating. Mat så sakte som mulig når du skjærer harde arbeidsstykker. Ikke bøy eller vri arbeidsstykket under mating. Hvis du kiler bladet i arbeidsstykket, slå av verktøyet umiddelbart. Koble fra verktøyet. Deretter fjerner du det som sitter fast.
- 45 Før du snur verktøyet, sørg alltid for at stoppinnen låser verktøyhodet forsvarlig i laveste stilling

## DELER OG KONTROLLANORDNINGER (FIG. 1 TIL IC)

### DELER TIL BORDSAG

1. Spaltekniv
2. Festeplugg til trimmerskjerm
3. Trimmerskjerm
4. Låseknapp til trimmerarm
5. Heve-/senkeknott for trimmerblad
6. Låsespak for vippefunksjon
7. Nedre trimmerskjerm
8. Bryter
9. Holder til strømledning
10. Festeskruer til parallellanlegg
11. Låsespak til arbeidsbenk
12. Arbeidsbenk
13. Parallellanlegg
14. Trimmerblad
15. Kappeanlegg
16. Festeknott for kappeanlegg
17. Låseknott til gjæringsmål
18. Gjæringsmål
19. Hjul
20. Holder til skyvepinne
21. Låseknott til bein
22. Bein
23. Justerbar fot
24. Åpning på gjæringsmål
25. Vinkelskala for trimmerbladets vippefunksjon
26. Vippeindikator
27. Festeknott til parallellanlegg

### DELER TIL GJÆRINGSSAG

28. Låseplugg
29. Låseknott til arbeidsbenk
30. Anlegg
31. Dreieskive
32. Vinkelskala til dreieskive
33. Karbonbørstedeksel
34. Flyttbar skjerm
35. Festeknott til spaltekniv
36. Støvpose
37. Utløp for støvavtrekk
38. Stasjonær skjerm
39. Låsespak til flyttbar skjerm
40. Koplingsknapp
41. Gripehåndtak
42. Bryter
43. Låseknott til vertikal skrutvinge
44. Vertikal skrutvinge
45. Låsespak til vertikal skrutvinge
46. Låsespak topposisjon
47. Limiter
48. Spindellåsespak

\* Det kan forekomme avvik mellom produkt og tegning.



## UTPAKKING

NB! Emballasjen inneholder spisse gjenstander. Vær forsiktig når du pakker ut innholdet. Ta maskinen og det medfølgende tilbehøret ut av emballasjen. Kontroller at maskinen er i god stand, og at alt tilbehør følger med som er nevnt i denne håndboken. Påse også at alt tilbehør er komplett. Hvis en eller flere deler mangler, må maskinen sammen med alt tilbehør returneres i originalemballasjen til forhandleren.

Kast ikke emballasjen, men ta vare på den gjennom hele garantiperioden. Deretter bør du om mulig resirkulere eller kaste den på forsvarlig vis. Barn må ikke få leke med tomme plastposer da dette kan medføre kvelningsfare.

## MONTERING

Merk: Før du monterer eller demonterer maskinen, må du forsikre deg om at den ikke er tilkoblet strømmettet.

NB: Hold gulvet rundt verktøyet ryddig og fritt for materialdeler som avkappede biter og spon.

### MONTERING AV KOMBINASJONSSAGEN (FIG. A)

Vipp sagen litt på skrå. Bruk skruene og låseknottene (21) (inkludert) for å feste beina (22) til undersiden.

Juster føttene (23) så sagen står stabilt.

### STØVAVTREKK (FIG. B)

Sett på støvposen (36) ved å dra den inn på utløpet til støvavtrekket (37) (når sagen er stilt inn som gjæringssag). Tøm støvposen (36) ved å ta den av utløpet (37) og åpne glidelåsen, så du får tilgang til innsiden av posen. Når det er nødvendig med et mer effektivt støvavtrekk, særlig på grunn av kreftfremkallende støv, fester du slangen til oppsugingsenheten rett på utløpet (37) (når sagen er stilt inn som bordsag) eller utløpet i nedre trimmerskjerm (7) (når sagen er stilt inn som gjæringssag).

Merk: Tøm støvposen regelmessig. For at støvavtrekket skal fungere best mulig, bør støvposen tømmes når den er 2/3 full.

### MONTERING AV NEDRE TRIMMERSKJERM (FIG. C)

Når du bruker innstillingen for gjæringssag, må nedre trimmerskjerm monteres for at den nederste delen av trimmerbladet skal bli dekket.

Sett på den nedre trimmerskjermen (7), som du fester med skruer.

Ta av nedre trimmerskjerm (7) før du bruker sagen som bordsag.

### TRANSPORTERING (FIG. D & E)

Følg denne fremgangsmåten før du flytter verktøyet:

Still inn sagen som bordsag.

Ta av parallellanlegget (13) og gjæringmålet (14).

Sett på nedre trimmerskjerm (7).

Vipp sagen litt på skrå.

Løsne låseknottene (21) ved hjulene (19), drei beina (22) innover 90° (langs sagen), og lås i denne posisjonen ved hjelp av låseknottene (21).

Gjør det samme med de andre to beina (22) og drei dem 90° på utsiden av verktøyet (Fig. D).

Snu sagen så den står på hjulene, og hold beina (22) med begge hender før du ruller sagen dit du vil ha den (Fig. E).

Følg fremgangsmåten over i motsatt rekkefølge for å stille inn verktøyet til bordsag eller gjæringssag igjen.

### MONTERING AV HOLDERE TIL STRØMLEDNING

Fest holderne til strømledningen (9) ved hjelp av skruene som følger med. Posisjonen til holderne kan ses i Fig. 1.

### MONTERING AV HOLDERE TIL SKYVEPINNER

Fest holderne til skyvepinner (20) ved hjelp av skruene som følger med. Posisjonen til holderne kan ses i Fig. 1A.

### BETJENING & INNSTILLINGER

Sørg for at sagen er frakoblet strømmettet før du gjør noen justeringer. For å sikre trygg, nøyaktig og effektiv bruk av sagen, bør alle justeringsprosedyrene gjøres etter hverandre.

Når disse prosedyrene er gjennomført, må du sørge for å samle alle justeringsnøkklene. Sjekk at alle skjøtelementer er montert riktig.

Når du gjør justeringer, må du passe på at alle deler fungerer ordentlig og er i tråd med angitte betingelser for at sagen skal fungere riktig. Slitte eller ødelagte deler må byttes av kvalifisert personell før du begynner å bruke sagen.

### ANBEFALINGER VEDR. KAPPING

Det anbefales å gjøre en liten kappetest for hver justering, så du sikrer at de nye innstillingene er korrekte, og at dimensjonene stemmer.

Etter å ha slått på sagen, skal du vente til trimmerbladet når topphastighet og la det gå på tomgang før du begynner å kappe.

Pass på å sikre lange gjenstander fra å falle ned etter kapping (f.eks. med en valsestøtte).

Vær svært forsiktig når du begynner kappingen!

Når du kapper brukt tremateriale, må du passe på at det er fri for uønskede elementer som spiker, skruer etc.

Vent til trimmerbladet har stanset helt opp før du fjerner de avkappede bitene.

Hold alltid i den største delen av arbeidsstykket. Hold aldri i den delen som skal kappes av.

## INNSTILLING SOM BORDSAG

### STILLE INN SPALTEKNIVEN F)

Sett arbeidsbenken (12) i stillingen for gjærings-sag.

Sett bladet i kappeposisjon 0°.

Sett gjærings-sagen i høyeste posisjon ved å ta låsepluggen (28) ut av hullet. Drei låsepluggen 90° til den hviler i åpen stilling.

Løsne festeknotten til spaltekniven (35) og drei spaltekniven (1) slik at den dekker trimmerbladet (14), og fremspringene på muffen er på linje med styresporene. Du må trekke bladvernet helt tilbake for at spaltekniven (1) skal sitte riktig. For å trekke bladvernet tilbake trykker du på låsespaken til den flyttbare skjermen (39). Vær forsiktig når du trekker bladet tilbake; det er skarpt og kan forårsake skader.

Sørg for at festeknotten (35) er godt skrudd til.

Dra saghodet ned i laveste stilling og drei heve-/senkeknotten (5) til låsepluggen (28) kommer i inngrep med låsehullet.

Dra i låsespaken til arbeidsbenken (11) og drei arbeidsbenken (12) til den er i bordsagstilling.

Merk: Still inn spaltekniven (1) slik at avstanden mellom trimmerbladet (4) og spaltekniven er mellom

3–5 mm (spaltekniven skal være nøyaktig på linje med trimmerbladet), Fig. G. Sjekk spalteknivens posisjon hver gang du har justert trimmerbladet.

### INSTALLERING AV TRIMMERSKJERM (FIG. H)

Trykk inn knappen på festepluggen til trimmerskjermen (2) og sett trimmerskjermen (3) på spaltekniven (1).

Du kan ta av trimmerskjermen ved å følge fremgangsmåten over i motsatt rekkefølge.

Merk: Fest trimmerskjermen slik at den hever seg etter som materiale trykkes mot trimmerbladet, og slik at materialet faller fritt av etter kapping.

### INSTALLERING AV PARALLELLANLEGG (FIG. I)

Parallellanlegget kan installeres på arbeidsbenken på begge sider av trimmerskjermen.

Skyv festet til parallellanlegget (13) inn i styreåpningen på arbeidsbenken (12).

Still inn parallellanlegget (13) i ønsket posisjon (ved hjelp av skalaen), og fest den med festeknotten til parallellanlegget (27).

Det anbefales å gjøre en liten kappetest, måle og om nødvendig tilpasse parallellanlegget.

For å unngå at materiale setter seg fast, kan du løsne på parallellanlegget med festeskruen (10) og flytte parallellanlegget (13) på langs (Fig. I).

Merk: Juster festet til parallellanlegget når du setter det på motsatt side av arbeidsbenken.

### SKRU AV OG PÅ (FIG. J)

Spenningen i strømmettet må tilsvare spenningen på sagens merkeplate.

Skru på sagen bare når materialet ikke er i kontakt med trimmerbladet.

Skru på – trykk på knapp I på bryteren (8).

Skru av – trykk på knapp O på bryteren (8).

### JUSTERING AV SAGEDYBDE

Drei heve-/senkeknappen (5) i eller mot klokkeretningen for å øke eller redusere sagedybden.

Merk: Sagen må justeres slik at det høyeste punktet på trimmerbladet er rett over materialet som skal kappes.

### SKRÅSNITT (FIG. K)

Bruk alltid parallellanlegget når du utfører skråsnitt.

Løsne låsespaken for vippefunksjon (6). (For å gjøre det enkelt kan du trykke inn låseknappen til trimmerarmen (4) og endre stillingen på låsespaken for vippefunksjon (6).)

Still inn trimmerbladet (14) til maksimal sagedybde.

Endre stillingen på trimmerbladet (14) så du får den nødvendige vinkelen som angis av vippeindikatoren (26) på vinkelskalaen (25).

Stram låsespaken for vippefunksjonen (6).

Still inn parallellanlegget (13) til riktig sagebredde.

Skru på sagen og utfør kappingen.

### GJÆRINGSNITT MED GJÆRINGSMÅL (FIG. L)

Du kan installere gjæringsmål i en av de to styreåpningene som er på hver sin side av arbeidsbenken.

Fjern parallellanlegget (13) fra arbeidsbenken (12).

Sett gjæringsmålet (18) i en av gjæringsmålåpningene (24).

Bruk festeknotten for kappeanlegg (16) til å feste kappeanlegget (15) til gjæringsmålet (18), still inn riktig kappevinkel og sikre den med låseknotten til gjæringsmålet (17) (Fig. L).

Når det er nødvendig å vippe trimmerbladet for å lage skråsnitt, stiller du inn kappeanlegget (15) slik at det ikke kan komme i kontakt med trimmerbladet (det er mulig å flytte kappeanlegget).

Før du skrur på sagen, flytter du gjæringsmålet (18) mot trimmerbladet og sørger for at kappeanlegget (15) befinner seg i en avstand på ca. 2 cm fra trimmerbladet.

Trykk kappematerialet mot kappeanlegget (15).

Lag et snitt ved å skru på sagen og flytte gjæringsmålet med kappeanlegget og materiale mot trimmerbladet.

Merk: Materialet som kappes, må alltid skyves langt nok til å fullføre kappingen.

Når du kapper, skal du ikke bruke parallellanlegget som lengdelimiter for stykket som kappes av. Det kan sette seg fast mellom parallellanlegget og trimmerbladet og forårsake en tilbakeslagseffekt.

### **KLØYVING**

Kløyving betyr å sage materialet på langs til den bredden du ønsker.

Still inn parallellanlegget (13) til riktig sagebredde.

Skru på sagen og vent til trimmerbladet har nådd full rotasjonshastighet.

Trykk materialet mot parallellanlegget (13) og skyv det mot trimmerbladet til enden av spaltekniven (1) (bruk skyvepinnen når du kommer nær trimmerbladet).

La det avkappede materialet ligge på arbeidsbenken til trimmerbladet har stanset helt opp.

Merk: Gjør en test etter hver justering for å sikre at den nye innstillingen er korrekt. Når du sager, skal du til siden for kappelinjen.

### **KAPPING AV MINDRE OBJEKTER**

Still inn parallellanlegget (13) til riktig sagebredde.

Mat materialet med begge hender. Når du nærmer deg trimmerbladet, skal du alltid bruke skyvepinnen (følger med) eller et ekstra trestykke til å skyve materialet som kappes, mot parallellanlegget (13).

Skyv alltid arbeidsstykket helt til enden av spaltekniven (1).

Merk: Kapper du små og smale objekter, må skyvepinnen brukes fra begynnelsen av.

### **INNSTILLING SOM GJÆRINGSSAG**

Hvis verktøyet ikke er brukt eller brukt som bordsag, må du benytte heve-/senkeknotten for å få trimmerbladet i laveste posisjon.

### **INSTALLERING (FIG. M)**

Fjern trimmerskjermen (3).

Sett trimmerbladet (14) i laveste posisjon ved hjelp av heve-/senkeknotten (5).

Ta av parallellanlegget (13) og gjæringsmålet (18).

Sett på nedre trimmerskjerm (7).

Dra vekk låsespaken til arbeidsbenken (11) og dreii arbeidsbenken (12) 180° til du tydelig hører at låsespaken (11) klikker på plass (Fig. M),

Løsne festeknotten til spaltekniven (35) og dreii spaltekniven (1) slik at den avdekker trimmerbladet (14), og fremspringene på muffen er på linje med styresporene.

Sørg for at festeknotten (35) er godt skrudd til.

### **BRUKE SAGARMEN (FIG. N)**

Sagarmen har to posisjoner; øvre og nedre. For å løsne hodet fra nedre låste posisjon, gjør du følgende:

Trykk lett på sagarmen og hold grepet.

Dra vekk låsepluggen (28) så sikkerhetsskruen glir ut av låsehullet.

Dreii låsepluggen (28) 90° og lås den i stillingen (Fig. N).

Hold sagarmen mens den løfter seg til øvre posisjon.

Du kan låse sagarmen i nedre posisjon ved å følge opplåsingsprosedyren i motsatt rekkefølge etter at du har utløst låsespaken til flyttbar skjerm (39).

### **INSTALLERING AV VERTIKAL SKRUTVINGE (FIG. O)**

Den vertikale skrutvingen kan settes på begge sider av arbeidsbenken og kan justeres etter størrelsen på objektet som skal kappes.

Installer den vertikale skrutvingen (44) i et av hullene på arbeidsbenken.

Stram låseknotten på den vertikale skrutvingen (43).

Dreii på stangen med gjenger så den passer til den vertikale skrutvingen (44) med materialet.

Lukkes ved å trykke ned låsespaken til skrutvingen (45) (Fig. O).

Merk: For at sikkerheten skal være best mulig, må materialet alltid klemmes fast. Unngå å kappe objekter som er for små til å klemmes fast.

### **JUSTERE SAGEDYBDEN (FIG. N & P)**

Før du begynner jobben, er det viktig å sjekke hva som er maksimal sagedybde så trimmerbladet ikke kommer i berøring med bunnen av kombinasjonssagen.

Still inn dreieskiven (31) og sagarmen i posisjon 0°.

Endre posisjonen på limiteren (47) slik at den kan hvile på justeringsskruen (a) (Fig. N.)

Senk sagarmen og hold den i denne posisjonen mens den trykker mot stoppeklossen.

Dreii trimmerbladet (14) for hånd for å forsikre deg om at den beveger seg fritt.

Med riktig justering av full sagedybde skal trimmerbladet (14) kunne trenge 5 mm ned i dreieskiven (31) (Fig. P).

Dersom innstillingen er feil, dreier du justeringsskruen (a) (Fig. N) i eller mot klokkeretningen til trimmerbladets inntrengningsdybde er korrekt.

### **SKRU AV OG PÅ (FIG. R)**

Spenningen i strømmettet må tilsvare spenningen på sagens merkeplate.

Skru på sagen bare når trimmerbladet ikke er i kontakt med materialet som skal kappes.

Gjæringssagen har en koplingsknapp (40) som beskytter mot at sagen uforvarende slår seg på.

### **SKRU PÅ**

Trykk ned koplingsknappen (40).

Trykk og hold bryterknappen (42) nede (Fig. R).

### **SKRU AV**

Slipp opp bryterknappen (42).

Merk: Når sagen er innstilt som gjæringssag, er bryteren (8) deaktivert.

### **AVKAPPING AV SMALE MATERIALSTYKKER**

Avkapping brukes først og fremst når det gjelder smale materialstykker. Før du begynner, må du forsikre deg om at låseknotten til arbeidsbenken (29) og låsespaken til vippefunksjonen (6) er strammet godt til.

Klem fast materialet til arbeidsbenken; ta hensyn til størrelsen.

Still inn ønsket sagevinkel.

Lås opp sagearmen og trimmerskjermen.

Trykk ned bryterknappen (8) (vent til trimmerbladet har nådd høyeste rotasjonshastighet).

Ta tak i gripehåndtaket (41) og før det sakte nedover. Utfør kappingen med moderat trykk.

Skru av sagen og vent til trimmerbladet har stanset helt opp.

Løft sagarmen rolig opp.

Fare! Hvis du ikke har strammet låseknotten til arbeidsbenken godt nok, kan trimmerbladet plutselig flytte seg til overflaten av materialet. Det kan forårsake den faren at operatøren blir truffet av materialet.

### **STILLE INN ARBEIDSBENKEN TIL GJÆRINGSSNITT (FIG. S)**

Dreieskiven (31) gjør det mulig å kappe materialet i alle vinkler innenfor 45° til venstre eller høyre for loddrett stilling.

Dra og drei i låsepluggen (28) og la sagarmen løfte seg sakte opp til øverste posisjon.

Løsne låseknotten til arbeidsbenken (29).

Still inn dreieskiven (31) på ønsket vinkel i henhold til dreieskivens vinkelskala (32) (Fig. S).

Låses ved å stramme låseknotten til arbeidsbenken (29).

Det er mange spor i dreieskiven (31) som gjør det enkelt å finne vinkler som ofte brukes. Dette er de sagevinklene som brukes oftest (0°, 15°, 22,5°, 30°, 45° til venstre eller høyre). Alle grader kan stilles inn nøyaktig ved hjelp av vinkelskalaen på dreieskiven (32) Selv om skalaen er nøyaktig nok til de fleste oppgaver, anbefales det å dobbeltsjekke sagevinkelen med en gradmåler eller annet hjelpemiddel.

Merk: Når du bruker hurtiginnstilling for standardvinkler, skal du tydelig kunne høre at sperrehaken smekker på plass i sporet.

### **STILLE INN SAGARMEN (HODE) FOR SKRÅSNITT (FIG. T & FIG. U)**

Sagarmen kan vippes til alle vinkler mellom 0° og 45° for å lage skråsnitt (Fig. T).

Dra låsepluggen (28) som utløser sagarmen, og la den løfte seg sakte opp til øverste posisjon.

Løsne låsespaken for vippefunksjon (6).

Vipp sagarmen til venstre i ønsket vinkel, som du kan avlese på vinkelskalaen til trimmerbladets vippefunksjon (25) (Fig. U).

Stram låsespaken for vippefunksjonen (6).

Merk: Hvis du har behov for å stille inn begge vinkler (på begge plan, horisontalt og vertikalt) for en sammensatt kappeoperasjon, skal du alltid stille inn gjæringsvinkelen først.

### **KONTROLLERE OG JUSTERE LODDRETT POSISJON TIL TRIMMERBLAD OG ARBEIDSBENK (FIG. U & FIG. W)**

For at kappingen skal være garantert nøyaktig, bør du sjekke sagens ulike innstillinger regelmessig og justere dem hvis nødvendig.

Løsne låsespaken for vippefunksjon (6).

Still inn hodet lengst til høyre (loddrett på dreieskiven) og stram låsespaken til trimmerbladets vippefunksjon (6) (Fig. U).

Løsne låseknotten til arbeidsbenken (29).

Still dreieskiven (31) inn på 0° og stram låseknotten (29).

Trykk på låsespaken til skyvbar skjerm (39) og senk saghodet helt ned til laveste posisjon.

Bruk verktøyet til å sjekke at trimmerbladet er loddrett i forhold til dreieskiven (31).

Merk: Ved måling må du passe på at måleverktøyet ikke berører noen av sagtennene, hvis ikke kan målingen bli unøyaktig.

Hvis målevinkelen er forskjellig fra 90°, er følgende justering nødvendig:

Vipp sagen til venstre.

Drei justeringsskruen (b) (Fig. U) i eller mot klokkeretningen for å øke eller minske vippevinkelen på trimmerbladet.

Etter at du har stilt inn trimmerbladet loddrett i forhold til arbeidsbenken, lar du nå hodet gå tilbake til sin øverste posisjon.

Gjør en liknende justering for gjæringsvinkelen på 45° ved hjelp av justeringsskruen (c) (Fig. W), som er på den andre siden av sagarmen.



## VEDLIKEHOLD

Merk: Før du gjør utfører vedlikeholdsarbeid på maskinen, må du forsikre deg om at den ikke er tilkoblet strømnettet.

## RENGJØRING

Når arbeidet er gjort, fjerner du alt materiale, metallspån og støv fra arbeidsbenken og området rundt trimmerbladet og skjermen.

Rengjør sagen med en børste eller med trykkluft.

Ikke bruk vann eller kjemiske væsker til å rengjøre sagen med.

Rengjør ventilasjonshullene regelmessig for å unngå at motoren overopphetes.

Sagen må oppbevares på et tørt sted, utilgjengelig for barn.

For å opprettholde produktets SIKKERHET og PÅLITELIGHET, må reparasjoner, annet vedlikehold og justeringer utføres av autoriserte servicesentre, og deler må byttes ut.

Sjekk regelmessig at alle bolter og skruer er strammet godt til. De kan løsne etter en tids bruk.

## BYTTE AV TRIMMERBLAD (FIG. X)

Bytt trimmerbladet når verktøyet er satt opp som gjærings sag.

Dra låsepluggen (28) for å utløse sagarmen.

La sagarmen gå rolig tilbake til øverste posisjon.

Trykk og hold nede låsespak til flyttbar skjerm (39).

Løft den skyvbare skjermen (34) opp for å få tilgang til festeskruen på trimmerbladet (14).

Trykk og hold nede spindellåsespaken (48) (det kan være du må dreie på trimmerbladet for å låse spindelen).

Bruk den medfølgende unbrakonøkkelen for å løsne festeskruen til trimmerbladet (14). Drei i klokkeretningen (Fig. X).

Løsne spindellåsespaken (48) og ta av skruen som klemmer sammen trimmerbladet og den ytre kragen.

Rengjør alle deler før du monterer dem.

Sett trimmerbladet inn på den indre kragen.

Plasser det nye trimmerbladet slik at sagtennene og pilen på bladet svarer til retningen på pilen på den stasjonære skjermen (38).

Sett på den ytre kragen og trykk og hold spindellåsespaken nede. Stram festeskruen på trimmerbladet ved å dreie mot klokkeretningen.

Sett den skyvbare skjermen (34) i standardposisjon (skjermen skal dekke hele trimmerbladet).

Pass på at den skyvbare skjermen (34) er i riktig posisjon og beveger seg fritt når du løfter eller senker sagarmen.

Merk: Vær nøye med at trimmerbladet roterer i riktig retning (se pil på trimmerbladet og den stasjonære skjermen). Etter at du har byttet trimmerbladet, må du forsikre deg om at bladet kan bevege seg fritt ved å flytte på det med hånden.

## BYTTE KARBONBØRSTEDEKSEL (FIG. Y & FIG. Z)

Slitte (kortere enn 5 mm), brente eller sprukne karbonbørster må byttes umiddelbart. Begge karbonbørstene må byttes samtidig.

Bytt karbonbørstene når verktøyet er satt opp som gjærings sag.

Skru av dekslene til karbonbørstene (33) (Fig. Y).

Fjern brukte karbonbørster.

Fjern eventuelt karbonstøv med trykkluft.

Sett inn de nye karbonbørstene (de skal passe akkurat inn i børsteholderne) (Fig. Z).

Skru på dekslene (33).

Merk: Når karbonbørstene er byttet, lar du sagen gå på tomgang og venter til karbonbørstene kommer på linje med omkopleren i motoren. Det anbefales å overlate byttingen av karbonbørstene til en kvalifisert person. Bruk bare originale deler.

## TEKNISKE DATA

Bladdiameter	254 mm
Nominell inngangseffekt	1800 W
Hulldiameter	30 mm
Turtall på tomgang	4200 rpm
Nettvekt	32 kg
Sikkerhetsklasse	II
lydtryknivå	91,9 dB (A)
lydeffektnivå	104,9 dB (A)
Vibrasjon:	1,729 m/s <sup>2</sup> , K=1,5 m/s <sup>2</sup>

## Maksimalt kutt som gjærings sag

90° x 90°	65 x 155 mm
90° x 45°	65 x 105 mm
45° x 90°	40 x 155 mm
45° x 45°	40 x 105 mm

## Maksimalt kutt som bordsag

90°	70 mm
45°	50 mm



## Symboler

Merkeplaten på ditt verktøy kan vise symboler. Disse gir viktig informasjon vedrørende produktet eller instruksjoner for bruk.



- Bruk hørselsvern
- Bruk beskyttelsesbriller
- Bruk beskyttelse for nese/munn



Dobbelisolert for ekstra beskyttelse



I overensstemmelse med aktuelle sikkerhetsstandarder.



Les brukermanualen.



IKKE berør blad i bevegelse



IKKE gå nærme maskinen med løse klær



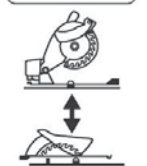
For din egen sikkerhet, fjern fliser, små biter, osv. fra bordplaten før bruk.



Plasser hendene riktig når du bærer.



Koble fra verktøyet før du dreier det rundt aksen



Elektriske produkter må ikke kastes i husholdningsavfallet. Vær vennlig å resirkulere der slike anlegg finnes. Sjekk med din kommune eller forhandler for råd om resirkulering.



Produktet er i overensstemmelse med RoHS sine krav.



IKKE fjern sikkerhetsvern og -innretninger mens maskinen er i gang



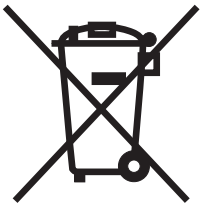
IKKE rengjør, smør eller reparer bevegelige deler



Fare fliskasting

## MILJØVERN

Informasjon for (private husholdninger) for miljømessig forsvarlig avhending av Avfall Elektrisk og Elektronisk Utstyr (Waste Electrical and Electronic Equipment) (WEEE)



Dette symbolet på produkter og/eller medfølgende dokumenter angir at brukt og utbrukt elektrisk og elektronisk utstyr ikke må kastes i husholdningsavfallet. For korrekt avhending, behandling, gjenbruk og resirkulering, vær vennlig å ta disse produktene til dedikerte oppsamlingspunkt, der de vil bli mottatt uten kostnad. Alternativt kan en i noen land ha mulighet til å returnere produktet til forhandler mot kjøp av et nytt tilsvarende produkt. Korrekt avhending av dette produktet vil bidra til å ivareta viktige ressurser og hindre potensielle negative effekter på menneskelig helse og miljøet, noe som kan oppstå ved feil avfallshåndtering og -behandling. Vær vennlig å kontakte lokal myndighet for flere detaljer om

ditt nærmeste oppsamlingspunkt. Straff kan påregnes for feil avhending av dette avfallet, i henhold til nasjonal lovgivning.

### FOR BEDRIFTER INNENFOR EU.

Hvis du ønsker å kaste elektrisk og elektronisk utstyr, vær vennlig å kontakte din forhandler eller leverandør for mer informasjon.

### Informasjon for avhending i andre land utenfor EU.

Dette symbolet er kun gyldig innenfor EU.

Hvis du ønsker å kaste dette produktet, kontakt dine lokale myndigheter eller forhandler og be om den korrekte måten for avhending.

## ELEKTRIANDMED

### TÄHTIS

Sellel tootel on plombeeritud elektripistik, mis vastab seadmele ja teie riigi elektrivoolu süsteemile ning on kooskõlas rahvusvaheliste normatiivide nõudmistega.

Seade tuleb ühendada toitepingega, mis on võrdne tehnilises tabelis näidatuga. Kui pistik ja toitejuhe on rikutega, tuleb need asendada detailidega, mis on identsed originaalile.

Pidage alati kinni oma riigi määrustest elektrivõrku lülitamise kohta.

Juhul, kui Teil tekib kahtlusi, pöörduge kvalifitseeritud elektriku poole.

### SISSEJUHATUS

Täname, et soetasite selle toote, mis on läbinud meie põhjaliku kvaliteedikontrolli. Oleme teinud kõik endast oleneva, et toode jõuaks teieni ideaalses seisukorras.

### OHUTUS ON KÕIGE OLULISEM

Enne lauasae kasutamist tutvuge allpool loetletud põhiliste ohutusnõuetega, mis aitavad vähendada tulekahju-, elektrilöögi- ja vigastuseohtu.

Selleks et mõista seadme talitlust, kasutuspiiranguid ja tööriistaga seonduvaid võimalikke ohtusid, lugege kasutusjuhend hoolikalt läbi.

### TOOTE KÕRVALDAMINE KASUTUSEST

Kui toode on muutunud kasutuskõlbmatuks või kui see kõrvaldatakse kasutusest mingil muul põhjusel, ei tohi toodet ladustada tavaliste olmejäätmete hulka. Loodusressursside hoidmiseks ja negatiivse keskkonnamõju vähendamiseks võimaldage toote taaskasutamine või kõrvaldage see kasutusest keskkonناسäästlikul viisil. Viige toode kohaliku jäätmekäitluskeskusesse või mõnda muusse volitatud kogumis- või jäätmekäitluspunkti.

Kahtluste korral pöörduge kohaliku omavalitsuse poole, kust saate lisateavet taaskasutuse ja/või kasutusest kõrvaldamise erinevatest võimalustest

**See elektritööriist on mõeldud ainult koduseks kasutamiseks. Elektritööriist ei ole ette nähtud ega sobi ärialaseks ega professionaalseks kasutamiseks.**

**Garantii ei kata elektritööriista defekte ja kahjustusi, mis on tekkinud selle kasutamisel muuks otstarbeks, kui kodune kasutamine, eriti läbisurumise ja väärkasutuse tõttu.**

„Garantii kaotab kehtivuse, kui tööriista on kahjustatud mõne alljärgneva teguri tõttu:

- 1) toote väärkasutus või hoolimatus toote korraliku hooldamise suhtes;
- 2) toote ärialane, professionaalne või rendikasutus;
- 3) toote parandamine volitamata teenindusettevõtte poolt;
- 4) väliste esemete või ainete tekitatud kahjustused.“

### TERVISEALANE NÕUANNE

Hoiatus: puurimise, lihvimise, saagimise või värvi hõõrumise ajal eralduvad tolmuosakesed. Teatud olukordades, sõltuvalt materjalidest, millega töötate, võib see tolm teile eriti kahjulik olla (nt vanast läikivast värvist pärit plii). Soovitame teil kaaluda ohte, mis on seotud töödeldavate materjalidega ning vähendada kokkupuuteriski.

### ÜLDISED OHUTUSNÕUDED

**HOIATUS!** Lugege kõik juhised hoolikalt läbi.

Allpool loetletud nõuete eiramine võib põhjustada elektrilöögi, tulekahju ja/või raskeid vigastusi. Kõigis alljärgnevates hoiatuses loetletud mõiste "elektritööriist" tähendab toitekaabliga elektritööriista ja akuga (toitekaablita) tööriista.

### HOIDKE KASUTUSJUHEND ALLES.

#### 1) TÖÖALA

- a) Tööala peab olema puhas ja hästi valgustatud. Segamini ja pime töökoht kutsub esile õnnetusi.
- b) Ärge kasutage elektritööriista plahvatusohtlikus keskkonnas, näiteks kohas, kus on kergesti süttivaid vedelikke, gaase või tolmu. Elektritööriistad võivad tekitada sädemeid, mis võivad süüdata tolmu või auru.
- c) Elektritööriistaga töötamise ajal hoidke lapsed ja kõrvalised isikud eemal. Tähelepanu hajumisega võib kaduda ka kontroll tööriista üle.

#### 2) ELEKTRIOHUTUS

- a) Elektritööriista pistik peab vastama seinakontaktile. Keelatud on pistiku muutmine ükskõik mil moel. Ärge kasutage adapterpistikuid koos maandatud elektritööriistadega. Muudatusteta pistikud ja sobivad seinakontaktid vähendavad elektrolöögiohtu.
- b) Vältige kehakontakti selliste maandatud pindadega nagu torud, radiaatorid, pliivid ja külmikud. Elektrilöögioht suureneb, kui teie keha on maandatud.
- c) Ärge jätke elektritööriista vihma kätte ega niiskettesse tingimustesse. Elektritööriista sattunud vesi suurendab elektrilöögiohtu.
- d) Ärge kasutage toitekaablit valesti. Ärge kasutage toitekaablit elektritööriista kandmiseks, tõmbamiseks ega vooluvõrgust lahti ühendamiseks. Vältige toitekaabli kontakti kuumaallikate, õli, teravate servade ja liikuvate osadega. Kahjustunud või keerdunud toitekaablid suurendavad elektrilöögiohtu.
- e) Kui te töötate elektritööriistaga väljas, kasutage välistingimustes kasutamiseks mõeldud pikenduskaablit. Välistingimustes kasutamiseks mõeldud toitekaabel vähendab elektrilöögiohtu.

### 3) ISIKUOHUTUS

- a) Olge tähelepanelik, jälgige oma tegevust ja kasutage tööriistaga töötamisel tervet mõistust. Ärge kasutage elektritööriista, kui olete ravimite või alkoholi mõju all või kui teile on tehtud raviprotseduure. Kas või hetkeline tähelepanematus elektritööriista kasutamisel võib põhjustada raskeid kehavigastusi.
- b) Kasutage isikukaitsevahendeid. Kandke alati silmakaitseid. Selliste kaitsevahendite nagu tolmu mask, libisemisvastaste taldadega turvajalatsid, tugev kiiver ja kuulmiskaitseid kasutamine õigetes tingimustes vähendab kehavigastuste ohtu.
- c) Vältige seadme juhuslikku käivitumist. Enne seadme ühendamist vooluvõrku veenduge, et lüliti on väljalülitatud asendis. Tööriista hoidmine nii, et sõrm on lülitil, või tööriista ühendamine vooluvõrku, kui tööriista lüliti on alla vajutatud, võib põhjustada õnnetusi.
- d) Enne tööriista ühendamist vooluvõrku eemaldage kõik reguleer- ja mutrivõtmed. Elektritööriista liikuvale osale unustatud mutri- või reguleervõti võib põhjustada kehavigastusi.
- e) Ärge küünitage liialt ette. Jalgadel peab alati olema kindel toetus. Hoidke keha alati tasakaalus. Nii on tagatud parem kontroll elektritööriista üle ootamatutes olukordades.
- f) Rõivastuge asjakohaselt. Ärge kandke liialt avaraid rõivaid ega ehteid. Hoidke oma juuksed, rõivad ja kindad eemal seadme liikuvatest osadest. Avarad rõivad, ehted ja pikad juuksed võivad jääda seadme liikuvate osade vahele.
- g) Kui seade on varustatud tolmu eemaldus- ja kogumissüsteemide ühendustega, siis veenduge, et süsteemid on nõuetekohaselt ühendatud ja et neid kasutatakse õigesti. Nende seadmete kasutamine vähendab tolmu ga seonduvaid ohte.

### 4) ELEKTRITÖÖRIISTA KASUTAMINE JA HOOLDAMINE

- a) Elektritööriistaga töötamisel ei tohi kasutada jõudu. Kasutage tööks sobivat elektritööriista. Tööle vastav elektritööriist teeb oma töö paremini ja ohutumalt kiirusel, milleks see tööriist on ette nähtud.
- b) Ärge kasutage elektritööriista, mille lüliti ei lülita seadet sisse ega välja. Kõik elektritööriistad, mida ei ole võimalik lülitist juhtida, on ohtlikud ja need tuleb ära parandada.
- c) Enne tööriista reguleerimist, lisatarvikute vahetamist või seadme hoiustamist tõmmake pistik seinakontaktist välja. Sellised ennetavad ohutusmeetmed aitavad vältida elektritööriista juhuslikku käivitumist.
- d) Kui te elektritööriista ei kasuta, siis hoidke seda lastele kättesaamatus kohtas. Ärge lubage inimestel, kes ei ole enne elektritööriistaga töötanud või kes ei ole neid juhiseid läbi lugenud,

tööriistaga töötada. Oskamatu inimese käes on elektritööriistad ohtlikud.

- e) Elektritööriistad vajavad hooldust. Kontrollige, et liikuvad osad ei oleks tasakaalust väljas ega paindes, et osad ei oleks purunenud ja et seadmel ei oleks muid tunnuseid, mis võiks mõjutada elektritööriista talitlust. Kui elektritööriist on kahjustunud, siis laske see enne uuesti kasutamist korda teha. Paljude õnnetuste põhjuseks on halvasti hooldatud elektritööriist.
- f) Lõiketerad peavad olema teravad ja puhtad. Nõuetekohaselt hooldatud lõiketeradel on teravad lõikeservad ja nende paindumine on ebatõenäolisem. Samuti on nendega lihtsam kontrollitult töötada.
- g) Kasutage elektritööriista, tarvikuid ja tööriistaotsakuid jne vastavalt käesolevatele juhistele ja vastavalt konkreetse tööriista kasutusotstarbele. Arvestage töötingimuste ja töö olemusega. Elektritööriistade mittesihipärane kasutamine võib põhjustada ohtlikke olukordi.

### 5) HOOLDAMINE

- a) Elektritööriista võib hooldada kvalifitseeritud remondipersonal, kes kasutab ainult originaalosi. Nii säilib elektritööriista algne ohutus.

### TÄIENDA VAD OHUTUSNÕUDED SAE KASUTAMISEL

#### Kohalduvad sae kasutamisel nii eerungi- kui universaalketassaena (saepingi režiim):

1. Kandke silma- ja kuulmiskaitseid. Lisaks kasutage teisi asjakohaseid isikukaitsevahendeid.
2. ÄRGE kandke töö ajal kindaid, v.a. saeketta vahetamisel või kareda materjali käsitlemisel enne töö alustamist.
3. Sae ümber olev pörandapind peab olema ühetasane ja hästi hooldatud. Pörandal ei tohi olla lahtist materjali nagu näiteks saelaaste ega mahalõikeid.
4. Ärge kasutage saagi, millel ei ole kaitsekatteid või lahtikiilumisnuga. Enne sae igat kasutuskorda kontrollige, kas saekettakaitseid on korralikult sulgunud. Ärge kasutage saagi, mille saekettakaitseid ei liigu vabalt või ei sulgu kohe. Ärge kinnitage ega siduge saekettakaitseid avatud asendisse. Kui saekettakaitseil ilmneb mõni talitlushäire, siis tuleb probleem viivitamatult kõrvaldada.
5. Enne saeketta paigaldamist või paigaldamise ajal puhastage võllid, äärikud (eriti paigalduspinnad) ja kuuskantpolt. Puhastage ettevaatlikult, et nimetatud sae osi mitte kahjustada.

Nende osade kahjustumise tagajärjel võib saeketas puruneda. Kui saekettakaitse on halvasti paigaldatud, võib saeketas hakata vibreerima, loperdama või libisema. Kasutage ainult selle sae jaoks mõeldud äärikuid.

6. Enne töö alustamist kontrollige hoolikalt, et saeketjal ei ole mõrasid ega kahjustusi. Ärge kasutage kahjustunud või deformeerunud saeketast.
7. Kasutage ainult tootja poolt soovitatud saekettaid, mis vastavad standardile EN847-1. Lahtikiilumisnuga ei tohi olla saeketta lõikelaiusest paksem ega saekettast õhem.
8. Kasutage ainult selles kasutusjuhendis soovitatud tarvikuid. Valed tarvikute kasutamine, nagu nt abrasiivsed mahalõike-lihvketad, võib põhjustada vigastusi.
9. Kasutage saeketast, mis on mõeldud lõigatava materjali lõikamiseks.
10. Ärge kasutage kiirlõiketerasest valmistatud saekettaid.
11. Mürataseme vähendamiseks jälgige, et saeketas on alati terav ja puhas.
12. Kasutage õigesti teritatud saekettaid. Järgige saekettale märgitud maksimaalset lubatud pöörlemiskiirust.
13. Ärge lõigake metalli, nagu nt naelu või kruve.  
Enne töö alustamist vaadake toorik üle ning eemaldage sellelt kõik naelad, kruvid ja muud võõrkehad.
14. ENNE lõikamise alustamist koputage kõik lahtised oksakohad toorikust välja.
15. Ärge kasutage saagi kergestisüttivate vedelike või gaaside lähedal.
16. Ohutuse tagamiseks puhastage enne töö alustamist töölaud saepurust, väikestest laastudest jms.
17. Operaator peab olema saanud piisava väljaõppe seadme kasutamise, reguleerimise ja tööpõhimõtte kohta.
18. Hoidke oma käed saeketta pöörlemisalalt eemal. Jälgige, et teie ise ega kõrvalised isikud ei seisa saeketta pöörlemisalal. Vältige kontakti vabakäigul pöörleva saekettaga. Ka vabalt pöörlev saeketas võib põhjustada raskeid kehavigastusi. Ärge küünitage saeketta kohale.
19. Olge kogu aeg tähelepanelik, eriti kui töö on ühetaoline ja monotoonne. Ärge kaotage valvsust, mis võib tuleneda õigustamatust turvatundest. Saekettad ei andesta kunagi.
20. Enne lüliti sisse lülitamist veenduge, et võllilukk on vabastatud.
21. Enne saeketta langetamist toorikule laske saekettal mõnda aega koormusvabalt pöörelda. Veenduge, ega saeketas ei vibreeri ega loperda. Vastasel juhul on saeketas halvasti paigaldatud või tasakaalustatud.
22. Enne lõikamise alustamist oodake, kuni saeketas on saavutanud maksimaalse pöörlemiskiiruse.
23. See saag ei ole mõeldud soonte lõikamiseks, sisselõigete tegemiseks ega freesimiseks.
24. Ärge püüdke eemaldada mahalõikeid ega muid tooriku osi lõikealalt, kui saeketas pöörleb ja ei ole veel täielikult seiskunud.
25. Kui märkate häireid sae töös, siis katkestage töö viivitamatult.
26. Lülitage saag välja ja enne tooriku teisaldamist või seadistuste muutmist oodake, kuni saeketas on täielikult seiskunud.
27. Tõmmake sae pistik seinakontaktist välja enne saeketta vahetamist, sae hooldamist või kui te saagi enam ei kasuta.
28. Lõikamise tulemusena tekkinud tolm võib sisaldada kemikaale, mis võivad teadaolevalt põhjustada vähki, sünnidefekte või viljakusprobleeme. Mõned näited sellistest kemikaalidest:  
- plii, pliipõhise värviga viimistletud materjalidest ning  
- arseen ja kroom keemiliselt töödeldud saematerjalist.  
Nende kemikaalide mõjust tulenev risk operaatorile sõltub kokkupuute sagedusest selliste ainetega. Nende kemikaalide mõju vähendamiseks: töötage hea ventilatsiooniga kohas ja kasutage sertifitseeritud isikukaitsevahendeid, nagu näiteks tolmukske, mis on spetsiaalselt mõeldud mikroskoopiliste osakeste filtreerimiseks.
29. Enne lõikamise alustamist ühendage saag tolmukogumisseadmega.
30. Kui olete sae ringi pööranud, siis veenduge, et töölaud on hoova abil tugevalt fikseeritud.

## TÄHELEPANU

**Piirangud ümbritsevale keskkonnale: < 40°C. Ärge kasutage seadet, kui ümbritseva keskkonna temperatuur on alla -0°C (Celsius). Kui tööriista hoiustatakse temperatuuril alla -0°C (Celsius), siis enne kasutamist palun laske seadmel vähemalt 1 tunni jooksul toatemperatuuril soojeneda. See ennetab seadme komponentide ja juhtmestike võimalikke kahjustusi.**

### Sae kasutamisel eerungisaena:

31. Ärge kasutage saagi muu materjali lõikamiseks kui puit, alumiinium või sarnased materjalid.
32. Ärge lõigake „vaba käega“, kui tooriku lõikamine toimub saeketta lähedal. Kõikide toimingute ajal peab toorik olema tugevalt kinnitatud vastu pöördlauda ja juhtlatti.
33. Veenduge, et pöördlaud on tugevalt kinni ja ei hakka töö ajal liikuma.
34. Veenduge, et kaldlõikamise ajal on mehaaniline käsi tugevalt kinni. Mehaanilise käe fikseerimiseks keerake hooba päripäeva.



35. Veenduge, et kui saeketas on kõige madalamas asendis, ei puutu see kokku pöördlauaga ning et saeketas ei puutu kokku toorikuga enne, kui lüliti on sisse lülitatud.

36. Hoidke käepidemest tugevalt kinni. Pidage meeles, et sae käivitamisel ja seiskamisel liigub saag kergelt üles või alla.

**Sae kasutamisel universaalketassaena (saepingi režiim):**

37. Ärge tehke ühtegi toimingut „vaba käega“. „Vaba käega“ tähendab tooriku toetamist või juhtimist käte ja mitte saekelguga.

38. Veenduge, et pöördlaud on tugevalt fikseeritud.

39. Veenduge, et mehaaniline käsi on tööasendisse tugevalt fikseeritud. Mehaanilise käe fikseerimiseks keerake hooba päripäeva.

40. Lükake toorikut tõukelati või –klotsiga ning jälgige, et teie käed ega sõrmed ei satu saeketta lähedale.

41. Veenduge, et kui saeketas on kõige madalamas asendis, ei puutu see kokku pöördlauaga ning et saeketas ei puutu kokku toorikuga enne, kui lüliti on sisse lülitatud.

42. Kui te tõukeklotsi ei kasuta, siis hoidke seda kindlas kohas.

43. Pöörake erilist tähelepanu juhistele TAGASILÖÖGIOHU vältimiseks. TAGASILÖÖGIKS nimetatakse kokku pigistatud, paindes või valesti joondatud saeketta ootamatut reaktsiooni. TAGASILÖÖGI tõttu paiskub toorik saekettalt tagasi operaatore poole. TAGASILÖÖK VÕIB PÕHJUSTADA RASKEID KEHAVIGASTUSI. TAGASILÖÖGI vältimiseks jälgige, et saeketas on terav, saekelk on saekettaga paralleelne, lahtikiilumisnuga ja saekettakaitse on oma kohal ning et need toimivad korralikult.

Lisaks sellele ärge vabastage toorikut enne, kui see on saeketta alt täielikult väljas ning ärge tehke pikilõikeid paindes või vändunud toorikusse ega toorikusse, mille serv ei ole sirge ja mida ei saa korralikult piki saekelku juhtida.

44. Vältige tooriku äkilist, kiiret etteandmist. Kõvade toorikute töötlemisel peab etteanne olema võimalikult aeglane. Ärge painutage ega väänake toorikut etteandmise ajal. Kui saeketas jääb toorikusse kinni, lülitage saag viivitamatult välja. Tõmmake sae pistik seinakontaktist välja. Kõrvaldage ummistus.

45. Enne sae ringi pöörämist veenduge, et saeketas on stopptihvti abil tugevalt kõige alumisse asendisse fikseeritud.

**KOMPONENDID JA JUHTSEADMED (JOON. 1 KUNI 1C)**

**LAUASAE OSAD**

1.	Lõhestusnuga
2.	Lõiketera katte kinnitustihvt
3.	Lõiketera kate
4.	Lõiketera nurga reguleerimise hoova lukustusnupp
5.	Lõiketera tõstmise/langetamise nupp
6.	Lõiketera nurga lukustushoob
7.	Lõiketera alumine kate
8.	Lüliti
9.	Toitejuhtme hoidik
10.	Pikisaagimispiirde kinnituskruvi
11.	Töölaua pöörlemise blokeerimise hoob
12.	Töölaud
13.	Pikisaagimispiire
14.	Lõiketera
15.	Ristlõikamispiire
16.	Ristlõikamispiirde kinnituspupp
17.	Nurgamõõdiku lukustusnupp
18.	Nurgamõõdik
19.	Ratas
20.	Laastunoa hoidik
21.	Tugijala lukustusnupp
22.	Tugijalg
23.	Kohandatav tugijalg
24.	Nurgamõõdiku pesa
25.	Lõiketera kaldenurga mõõdik
26.	Lõiketera kalde indikaator
27.	Pikisaagimispiirde kinnituspupp

## EERUNGISAE OSAD

28. Pea lukustustihvt
29. Laua pöörlemise blokeerimise hoob
30. Piire
31. Pöördalus
32. Pöördaluse nurgamöödik
33. Süsiharjade kate
34. Liigutatav kate
35. Lõhestusnoa kinnitusnupp
36. Tolmukott
37. Tolmueemaldusava
38. Statsionaarne kate
39. Liigutatava katte lukustushoob
40. Lüliti lukustusnupp
41. Käepide
42. Lüliti
43. Vertikaalse kinniti lukustusnupp
44. Vertikaalne kinniti
45. Vertikaalse kinniti lukustushoob
46. Lõikepea asendi lukustushoob
47. Piiraja
48. Võllilukustushoob

\* Toote ja joonise vahel võib olla erinevusi.

## LAHTIPAKKIMINE

Ettevaatust! Selles pakendis on teravaid esemeid. Lahtipakkimisel olge ettevaatlik. Võtke seade koos kaasas olevate tarvikutega pakendist välja. Kontrollige hoolikalt, kas seade on töökorras ja kõik käesolevas juhendis loetletud komponendid on olemas. Samuti veenduge, et kõik tarvikud on terviklikud. Kui tuvastate, et mõni seadme osa on puudu, tuleb seade koos tarvikutega originaalpakendisse panna ja edasimüüjale tagastada.

Ärge visake pakendit ära ja hoidke seda garantiiperioodi jooksul kindlas kohas. Seejärel viige võimalusel taaskasutuspunkti või rakendage asjakohaseid jäätmekäitlusmeetmeid. Lämmisohu tõttu ärge laske lastel tühjade plastkottidega mängida.

## KOKKUPANEK

Tähelepanu: Enne seadme kokkupanekut või lahtivõtmist veenduge, et seade ei ole elektrivõrku ühendatud.

ETTEVAATUST! Hoidke seadme ümbrus puhtana ja vältige lahtise materjali (nt puidulaastude või -tükide) sattumist seadme ümbrusse.

## ÜMBERPÖÖRATAV SAEKORPUS (JOON. A)

Kallutage saagi õrnalt küljele. Kinnitage tugijalad (22) korpuse külge, kasutades kruvisid ja tugijalgade lukustusnuppe (21) (sisalduvad komplektis).

Paigaldage kohandatavad tugijalad (23) nii, et ümberpööratav saag püsiks kindlalt.

## TOLMUKOGUMINE (JOON. B)

Tolmukoti (36) paigaldamiseks lükake see tugevalt tolmuväljutusava (37) peale (kui töötate eerungisae režiimis). Tolmukoti (36) tühjendamiseks eemaldage see tolmuväljutusava (37) küljest ja avage koti lukk-kinniti. Kui töökeskkond eeldab tavalisest tõhusamat tolmuimemist, eelkõige kantserogeense tolmu puhul, ühendage tolmuimemisseadme voolik otse tolmuväljutusava (37) külge (kui kasutate seadet lauasae režiimil) või lõiketera alumises kattes oleva väljutusava (7) külge (kui töötate eerungisae režiimis).

Tähelepanu: Tühjendage tolmu kotti regulaarselt. Optimaalse tolmu puhastuse tagamiseks tühjendage tolmu kott, kui see on 2/3 ulatuses täitunud.

## LÕIKETERA ALUMISE KATTE PAIGALDAMINE (JOON. C)

Eerungisae režiimis töötades tuleb lõiketera alumine kate paigaldada nii, et oleks kaetud lõiketera alumine osa.

Paigaldage lõiketera alumine kate (7) ja kinnitage see kruvidega.

Enne lauasae režiimis töötamist eemaldage lõiketera alumine kate (7).

## TRANSPORTIMINE (JOON. D JA E)

Enne tööriista teisaldamist toimige järgnevalt:

Lülitage tööriist lauasae režiimi.

Eemaldage pikisaagimispiire (13) ja nurgamöödik (14).

Paigaldage lõiketera alumine kate (7).

Kallutage saagi õrnalt küljele.

Keerake lahti tugijala rataste (19) juures olevad lukustusnupud (21), pöörake tugijalgu (22) 90° sissepoole (sae suhtes) ja lukustage tugijalad sellesse asendisse lukustusnuppude abil (21).

Toimige samamoodi teise tugijalgade paariga (22) ja pöörake neid 90° väljapoole (joon. D).

Pöörake saagi nii, et see toetuks ratastele, hoidke tugijalgu (22) kahe käega ja veeretage uude asukohta (joon. E).

Kui soovite tööriista uuesti lauasaena või eerungisaena kasutamiseks kokku panna, teostage ülal kirjeldatud toimingud vastupidises järjekorras.

## TOITEKAABLI HOIDIKUTE PAIGALDAMINE

Kinnitage toitekaabli hoidikud (9), kasutades komplektis olevaid kruvisid. Toitekaabli hoidikute õige paiknemine on kujutatud joonisel 1.

## **LAASTUNOA HOIDIKUTE PAIGALDAMINE**

Kinnitage laastunoa hoidikud (20), kasutades komplektis olevaid kruvisid. Toitekaabli hoidikute õige paiknemine on kujutatud joonisel 1A.

## **KASUTAMINE JA SEADISTAMINE**

Enne sae kohandamist veenduge, et see pole ühendatud voluvõrku. Sae tõhusa, täpse ja ohutu töö tagamiseks tuleb kohandustoimingud teostada täies mahus.

Pärast seadistamise ja kohandamise lõpetamist veenduge, et kõik kohandusvahendid on kokku kogutud. Kontrollige, kas kõik liitekohad on korrektselt kinnitatud.

Kohanduste tegemisel veenduge, et seadme välised osad töötavad korrektselt ja on nõuetekohase töö teostamiseks piisavalt heas seisukorras. Kulunud või kahjustatud osad paluge vastava kvalifikatsiooniga tehnikutel välja vahetada.

## **LÕIKAMISEGA SEOTUD SOOVITUSED**

Pärast iga kohandustoimingut on soovitatav teha testlõige, et kontrollida mõõtmeid ja veenduda, et muudetud seadistus on sobiv.

Pärast sae sisse lülitamist laske seadmel enne lõike sooritamist tühikäigul töötades maksimumkiirus saavutada.

Toestage pikemad objektid (nt tugipuki abil) nii, et need pärast lõike teostamist ei kukuks.

Lõike alustamisel olge väga ettevaatlik!

Kasutatud puidu lõikamisel veenduge, et selles poleks takistavaid objekte (nt naelu, kruvisid vmt).

Enne lõigatud tükide eemaldamist oodake kuni lõiketera on täielikult seiskunud.

Hoidke alati kinni töödeldava detaili suuremast osast. Ärge hoidke kinni ärälõigatavast tükist.

## **LAUASAE REŽIIM**

### **LÕHESTUSNOA SEADISTAMINE (Joon. F)**

Lülitage töölaud (12) eerungisae režiimi.

Seadke tera 0° ristlõike asendisse.

Seadke eerungisaag kõrgeimasse asendisse. Selleks vabastage lõikepea lukustustihvt (28) lukustusaugust. Pöörake pea lukustustihvti 90° avatud asendisse.

Avage lõhestusnoa kinnitusnupp (35) ja pöörake lõhestusnuga (1) nii, et see kataks lõiketera (14) ja muhvi väljaulatuvad osad oleksid kohakuti juhtsoontega. Selleks, et lõhestusnuga (1) korrektsesse asendisse kinnitada, tuleb tera kate täielikult alla tõmmata. Tera katte alla tõmbamiseks vajutage liigutatava katte lukustushooba (39). Tera piirde alla tõmbamisel olge ettevaatlik, sest lõiketera on terav ja võib põhjustada vigastusi.

Lõhestusnoa asendi fikseerimiseks kinnitage lõhestusnoa kinnitusnupp (35).

Tõmmake saepea kõige alumisse asendisse ja pöörake lõiketera tõstmis-/langetamisnuppu (5), kuni pea lukustustihvt (28) fikseerub lukustusauku.

Tõmmake töölauda pöörlemise blokeerimise hooba (11) ja pöörake töölaud (12) lauasae režiimi asendisse.

Tähelepanu: Paigaldage lõhestusnuga (1) nii, et lõhestusnoa ja lõiketera (4) vaheline kaugus oleks

3-5 mm (lõhestusnuga tuleks paigaldada lõiketeraga täpselt kohakuti), joon. G. Kontrollige lõhestusnoa asendit alati pärast lõiketera vahetamist.

### **LÕIKETERA KATTE PAIGALDAMINE (Joon. H)**

Lükake lõiketera katte (2) kinnitustihvti nupp sisse ja paigaldage lõiketera kate (3) lõhestusnoa (1) peale.

Lõiketera katte eemaldamiseks teostage ülalkirjeldatud toimingud vastupidises järjestuses.

Tähelepanu: Kinnitage lõiketera kate nii, et see tõuseks, kui materjali lõiketera suunas lükatakse ning langeks vabalt alla, kui lõikamine on lõpetatud.

### **PIKISAAGIMISPIIRDE PAIGALDAMINE (Joon. I)**

Pikisaagimispiirde võite paigaldada ükskõik kummale poole lõiketera katet.

Lükake pikisaagimispiirde (13) kinnitus töölaual olevasse juhtsoonde (12).

Paigaldage pikisaagimispiire (13) vajalikku asendisse (kasutage skaalat) ja kinnitage pikisaagimispiirde kinnitusnupuga (27).

Soovitatav on teha testlõige, mõõta lõigatud detail ning vajadusel pikisaagimispiirde asendit kohandada.

Töödeldava materjali kinnijäämise vältimiseks võite pikisaagimispiirde kinnituskrugi (10) veidi lahti keerata ja pikisaagimispiiret (13) pikisuunas liigutada (joonis I).

Tähelepanu: Muutke pikisaagimispiirde kinniti asukohta, kui paigaldate pikisaagimispiiret töölauda teisele poolele.

### **SISSE- JA VÄLJALÜLITAMINE (Joon. J)**

Toitevõrgu pinge peab vastama sae andmeplaadil näidatud andmetele.

Sae sisselülitamise hetkel ei tohi lõigatav detail olla lõiketera vastas.

Sisse lülitamiseks vajutage lüliti (8) nuppu I.

Välja lülitamiseks vajutage lüliti (8) nuppu O.

### **LÕIKESÜGAVUSE REGULEERIMINE**

Pöörake lõiketera tõstmise/langetamise nuppu (5) lõikesügavuse suurendamiseks või vähendamiseks vastupäeva või päripäeva.

Tähelepanu: Saag tuleks kohandada nii, et lõiketera kõrgeim punkt jääks veidi lõigatavast materjalist kõrgemale.

## **LAASTUNOA HOIDIKUTE PAIGALDAMINE**

Kinnitage laastunoa hoidikud (20), kasutades komplektis olevaid kruvisid. Toitekaabli hoidikute õige paiknemine on kujutatud joonisel 1A.

## **KASUTAMINE JA SEADISTAMINE**

Enne sae kohandamist veenduge, et see pole ühendatud voluvõrku. Sae tõhusa, täpse ja ohutu töö tagamiseks tuleb kohandustoimingud teostada täies mahus.

Pärast seadistamise ja kohandamise lõpetamist veenduge, et kõik kohandusvahendid on kokku kogutud. Kontrollige, kas kõik liitekohad on korrektselt kinnitatud.

Kohanduste tegemisel veenduge, et seadme välised osad töötavad korrektselt ja on nõuetekohase töö teostamiseks piisavalt heas seisukorras. Kulunud või kahjustatud osad paluge vastava kvalifikatsiooniga tehnikutel välja vahetada.

## **LÕIKAMISEGA SEOTUD SOOVITUSED**

Pärast iga kohandustoimingut on soovitatav teha testlõige, et kontrollida mõõtmeid ja veenduda, et muudetud seadistus on sobiv.

Pärast sae sisse lülitamist laske seadmel enne lõike sooritamist tühikäigul töötades maksimumkiirus saavutada.

Toestage pikemad objektid (nt tugipuki abil) nii, et need pärast lõike teostamist ei kukuks.

Lõike alustamisel olge väga ettevaatlik!

Kasutatud puidu lõikamisel veenduge, et selles poleks takistavaid objekte (nt naelu, kruvisid vmt).

Enne lõigatud tükide eemaldamist oodake kuni lõiketera on täielikult seiskunud.

Hoidke alati kinni töödeldava detaili suuremast osast. Ärge hoidke kinni ärälõigatavast tükist.

## **LAUASAE REŽIIM**

### **LÕHESTUSNOA SEADISTAMINE (Joon. F)**

Lülitage töölaud (12) eerungisae režiimi.

Seadke tera 0° ristlõike asendisse.

Seadke eerungisaag kõrgeimasse asendisse. Selleks vabastage lõikepea lukustustihvt (28) lukustusaugust. Pöörake pea lukustustihvti 90° avatud asendisse.

Avage lõhestusnoa kinnitusnupp (35) ja pöörake lõhestusnuga (1) nii, et see kataks lõiketera (14) ja muhvi väljaulatuvad osad oleksid kohakuti juhtsoontega. Selleks, et lõhestusnuga (1) korrektsesse asendisse kinnitada, tuleb tera kate täielikult alla tõmmata. Tera katte alla tõmbamiseks vajutage liigutatava katte lukustushooba (39). Tera piirde alla tõmbamisel olge ettevaatlik, sest lõiketera on terav ja võib põhjustada vigastusi.

Lõhestusnoa asendi fikseerimiseks kinnitage lõhestusnoa kinnitusnupp (35).

Tõmmake saepea kõige alumisse asendisse ja pöörake lõiketera tõstmis-/langetamisnuppu (5), kuni pea lukustustihvt (28) fikseerub lukustusauku.

Tõmmake töölauda pöörlemise blokeerimise hooba (11) ja pöörake töölaud (12) lauasae režiimi asendisse.

Tähelepanu: Paigaldage lõhestusnuga (1) nii, et lõhestusnoa ja lõiketera (4) vaheline kaugus oleks

3-5 mm (lõhestusnuga tuleks paigaldada lõiketeraga täpselt kohakuti), joon. G. Kontrollige lõhestusnoa asendit alati pärast lõiketera vahetamist.

### **LÕIKETERA KATTE PAIGALDAMINE (Joon. H)**

Lükake lõiketera katte (2) kinnitustihvti nupp sisse ja paigaldage lõiketera kate (3) lõhestusnoa (1) peale.

Lõiketera katte eemaldamiseks teostage ülalkirjeldatud toimingud vastupidises järjestuses.

Tähelepanu: Kinnitage lõiketera kate nii, et see tõuseks, kui materjali lõiketera suunas lükatakse ning langeks vabalt alla, kui lõikamine on lõpetatud.

### **PIKISAAGIMISPIIRDE PAIGALDAMINE (Joon. I)**

Pikisaagimispiirde võite paigaldada ükskõik kummale poole lõiketera katet.

Lükake pikisaagimispiirde (13) kinnitus töölauas olevasse juhtsoonde (12).

Paigaldage pikisaagimispiire (13) vajalikku asendisse (kasutage skaalat) ja kinnitage pikisaagimispiirde kinnitusnupuga (27).

Soovitatav on teha testlõige, mõõta lõigatud detail ning vajadusel pikisaagimispiirde asendit kohandada.

Töödeldava materjali kinnijäämise vältimiseks võite pikisaagimispiirde kinnituskrugi (10) veidi lahti keerata ja pikisaagimispiiret (13) pikisuunas liigutada (joonis I).

Tähelepanu: Muutke pikisaagimispiirde kinniti asukohta, kui paigaldate pikisaagimispiiret töölauda teisele poolele.

### **SISSE- JA VÄLJALÜLITAMINE (Joon. J)**

Toitevõrgu pinget peab vastama sae andmeplaadil näidatud andmetele.

Sae sisselülitamise hetkel ei tohi lõigatav detail olla lõiketera vastas.

Sisse lülitamiseks vajutage lüliti (8) nuppu I.

Välja lülitamiseks vajutage lüliti (8) nuppu O.

### **LÕIKESÜGAVUSE REGULEERIMINE**

Pöörake lõiketera tõstmise/langetamise nuppu (5) lõikesügavuse suurendamiseks või vähendamiseks vastupäeva või päripäeva.

Tähelepanu: Saag tuleks kohandada nii, et lõiketera kõrgeim punkt jääks veidi lõigatavast materjalist kõrgemale.

## **FAASIMINE (JOON. K)**

Faasimisel kasutage alati pikisaagimispiiret.

Avage lõiketera nurga lukustushoob (6) (Lihtsamaks kasutamiseks vajutage lõiketera nurga hoova lukustusnuppu (4) ja muutke lõiketera nurga lukustushoova (6) asendit.)

Seadke lõiketera (14) maksimaalsele lõikesügavusele.

Muutke lõiketera (14) asendit, et saavutada soovitud kaldenurk. Kaldenurka näitab lõiketera kalde indikaator (26), mis asub lõiketera kaldenurga mõõdikul (25).

Kinnitage lõiketera nurga lukustushoob (6).

Seadistage pikisaagimispiire (13) vajalikule lõikelaiusele vastavaks.

Lülitage saag sisse ja teostage lõige.

## **FAASIMINE NURGAMÕÕDIKUGA (JOON. L)**

Nurgamõõdiku võite paigaldada ühte kahest soovitud küljel asuvast juhtsoonest.

Eemaldage pikisaagimispiire (13) töölaua ülaosast (12).

Asetage nurgamõõdik (18) ühte nurgamõõdiku pessa (24).

Kasutage ristlõikamispiirde (15) nurgamõõdiku (18) külge kinnitamiseks ristlõikamispiirde kinnitusnuppu (16), määrake soovitud nurk ja fikseerige see nurgamõõdiku lukustusnupuga (17) (joon. L).

Kui faasimiseks on vajalik lõiketera kallutamine, paigaldage ristlõikamispiire (15), et lõiketera mõõdikuga kontakti ei satuks (ristlõikamispiiret saab liigutada).

Enne sae sisse lülitamist liigutage nurgamõõdikut (18) lõiketera poole ja veenduge, et ristlõikamispiire (15) on lõiketerast umbes 2 cm kaugusel.

Lükake töödeldud materjal tugevalt vastu ristlõikamispiiret (15).

Lõike tegemiseks lülitage saag sisse ning liigutage nurgamõõdik koos ristlõikamispiirde ja töödeldud materjaliga lõiketera poole.

Tähelepanu: Liigutage saetav materjal alati saagimise lõpule viimiseks piisavalt kaugelt.

Risti saagimise korral ärge kasutage pikisaagimispiiret lõigatava objekti pikkuse piirajana, sest lõigatav detail võib piirde ja lõiketera vahele kinni jääda ja tagasilöögiefekti põhjustada.

## **PIKISAAGIMINE**

Pikisaagimine on detaili kogu pikkuse ulatuses sobivasse laiusesse saagimine.

Seadistage pikisaagimispiire (13) sobivale lõikelaiusele vastavaks.

Lülitage saag sisse ja oodake kuni lõiketera saavutab maksimaalse pöörlemiskiiruse.

Suruge detail vastu pikisaagimispiiret (13) ja liigutage lõiketera suunas lõhestusnoa (1) tipuni (lõiketera lähedusse jõideskasutage lükkamispulka).

Jätke lõigatud materjal töölauale kuni lõiketera on lõplikult seiskunud.

Tähelepanu: Pärast iga kohandustoimingut tehke testlõige, et kontrollida, kas muudetud seadistus on sobiv. Saagimise ajal seiske saagimissuunaga paralleelselt.

## **VÄIKESTE OBJEKTIDE LÕIKAMINE**

Seadistage pikisaagimispiire (13) sobivale lõikelaiusele vastavaks.

Hoidke lõigatavat materjali kahe käega. Lõiketera lähedal kasutage materjali liigutamiseks alati lükkamispulka (sisaldub komplektis) või lükake materjal teise puutükiga vastu pikisaagimispiiret (13).

Lükake materjal alati lõhestusnoa (1) tipu lähedale.

Tähelepanu: Lühikeste ja kitsaste objektide lõikamisel kasutage lükkamispulka algusest peale.

## **EERUNGISAE REŽIIM**

Kui tööriista pole kasutatud või on kasutatud lauasae režiimis, tooge lõiketera tera tõstmis-/langetamisnupu abil madalaimasse võimalikku asendisse.

## **PAIGALDAMINE (JOON. M)**

Eemaldage lõiketera kate (3).

Tooge lõiketera (14) tera tõstmis-/langetamisnupu (5) abil madalaimasse võimalikku asendisse.

Eemaldage pikisaagimispiire (13) ja nurgamõõdik (18).

Paigaldage lõiketera alumine kate (7).

Tõmmake töölaua pöörlemise blokeerimise hooba (11) ja pöörake töölaua (12) umbes 180°, kuni kuulete, kuidas töölaua pöörlemise blokeerimise hoob (11) kinni klõpsab (joon. M).

Avage lõhestusnoa kinnitusnupp (35) ja pöörake lõhestusnuga (1) nii, et lõiketera (14) oleks katmata ja muhvi väljaulatuvad osad oleksid kohakuti juhtsoonetega.

Lõhestusnoa asendi fikseerimiseks kinnitage lõhestusnoa kinnitusnupp (35).

## **SAE TELJE KASUTAMINE (JOON. N)**

Sae teljel on kaks võimalikku asendit - ülemine ja alumine. Pea alumisest lukustatud asendist vabastamiseks toimige järgnevalt:

Vajutage õrnalt sae teljele ja hoidke seda kinni.

Tõmmake pea lukustustihvti (28) nii, et turvapolt libiseb lukustusaugust välja.

Pöörake pea lukustustihvti (28) 90° ja lukustage selle asend (joon. N).

Hoidke sae teljest kinni, kui see ülemisse asendisse tõuseb.



Sae telje alumisse asendisse lukustamiseks teostage pärast liikuva katte lukustushoova (39) vabastamist lukustuse eemaldamise toimingud vastupidises järjekorras.

#### **VERTIKAALSE KINNITI PAIGALDAMINE (JOON. O)**

Vertikaalse kinniti võib paigaldada soovitud töölaua küljele ning seda saab lõigatava objekti suurusega sobivaks kohandada.

Paigaldage vertikaalne kinniti (44) ühte töölaual olevatest aukudest.

Kinnitage vertikaalse kinniti lukustusnupp (43).

Pöörake keermestatud varrast nii, et vertikaalne kinniti (44) haakub töödeldava materjaliga.

Fikseerimiseks vajutage vertikaalse kinniti lukustushooba (45) (joon. O).

Tähelepanu: Tööohutuse huvides fikseerige töödeldav materjal alati kindlalt kohale. Ärge tükeldage objekte, mis on nii väikesed, et neid ei saa kohale fikseerida.

#### **LÕIKESÜGAVUSE KOHANDAMINE (JOON: N JA P)**

Enne töö alustamist kontrollige maksimaalset lõikesügavust ja veenduge, et lõike tera ei satu kontakti sae alusega.

Seadke pöördalus (31) ja sae telg asendisse 0°.

Muutke piiraja (47) asendit nii, et see toetuks kohanduskruvile (a) (joon. N).

Laske sae telge madalamale ja hoidke paigal, surudes vastu kaitsepiiret.

Pöörake lõiketera (14) käega ja veenduge, et see liigub vabalt.

Kui lõiketera (14) on korrektselt reguleeritud, peaks see ulatuma 5 mm pöördaluse (31) pealispinnast allapoole (joon. P)

Kui lõiketera pole korrektselt reguleeritud, pöörake kohanduskruvi (a) (joon. N) päripäeva või vastupäeva nii, et tera asend oleks korrektne.

#### **SISSE- JA VÄLJALÜLITAMINE (JOON. R)**

Toitevõrgu pinget peab vastama sae andmeplaadil näidatud andmetele.

Sae sisselülitamise hetkel ei tohi lõiketera olla kontaktis lõigatava materjaliga.

Eerungisael on lukustusnupp (40), mis välistab sae tahtmatu käivitamise.

#### **SISSELÜLITAMINE**

Vajutage lüliti lukustusnuppu (40).

Vajutage ja hoidke all lüliti nuppu (42) (joon. R).

#### **VÄLJALÜLITAMINE**

Laske lüliti nupp (42) lahti.

Tähelepanu: Eerungisae režiimi puhul pole lüliti (8) aktiivne.

#### **MATERJALI KÜLJEST KITSASTE TÜKKIDE MAHALÕIKAMINE**

Mahalõikamist rakendatakse enamasti kitsaste materjalitükkide puhul. Enne alustamist veenduge, et laua pöörlemise blokeerimise hoob (29) lõiketera nurga lukustushoob (6) on kindlalt kinni keeratud.

Kinnitage materjal töölaua külge, võttes kinnitamisel arvesse detaili suurust.

Määrake soovitud lõikenurk.

Vabastage sae telg ja lõiketera kate.

Vajutage lüliti nuppu (8) (oodake kuni lõiketera saavutab maksimaalse pöörlemiskiiruse).

Hoidke käepidemest (41) kinni ja tõmmake seda aeglaselt alla. Teostage lõige, rakendades mõõdukat jõudu.

Lülitage saag välja ja oodake kuni lõiketera on lõplikult seiskunud.

Tõstke sae telg aeglaselt üles.

Oht! Laua pöörlemise blokeerimise hoova liiga nõrk kinnikeeramine võib põhjustada lõiketera soovimatut liikumist materjali pealispinna vastu. Seadme kasutajal tekib seeläbi oht materjalitükiga pihta saada.

#### **TÖÖLAUA EERUNGISAE REŽIIMI SEADMINE (JOON. S)**

Pöördalus (31) võimaldab materjali lõigata soovitud kuni 45° nurga alt paremalt või vasakult poolt.

Tõmmake ja pöörake pea lukustustihvti (28) ning laske sae teljel aeglaselt ülemisse asendisse tõusta.

Vabastage laua pöörlemise blokeerimise hoob (29).

Seadke pöördalus (31) nurgamõõdiku (32) järgi soovitud nurga alla (joon. S).

Lukustage laua pöörlemise blokeerimise hoob (29).

Pöördaluses (31) on sooned, mille abil saate lihtsast valida sagedamini kasutatavaid nurki. Sooned on kõige sagedamini kasutatavate lõikenurkade valimiseks (0°, 15°, 22.5°, 30°, 45° paremalt või vasakult). Muu soovitud nurga saab pöördaluse (32) nurgamõõdiku abil alati ise kraadi täpsusega määrata. Kuigi nurgamõõdik on enamike toimingute jaoks piisavalt täpne, on soovitatav lõikenurk malli või muu nurgamõõtmisvahendiga üle kontrollida.

Tähelepanu: Kui kasutate nurga kiirvaliku võimalust, veenduge et kinnitusnukk fikseerum soone sisse.

#### **SAE TELJE (-PEA) SEADISTAMINE FAASIMISEKS (JOON. T JA JOON. U)**

Sae teljele saab faasimiseks määrata soovitud kaldenurga vahemikus 0° kuni 45° (joon. T).

Tõmmake pea lukustustihvti (28), mis vabastab sae telje, ning laske sae teljel aeglaselt ülemisse asendisse tõusta.

Avage lõiketera nurga lukustushoob (6)

Kallutage sae telge nurgmõõdiku järgi lõiketera soovitud nurga (25) saavutamiseks vasakule (joon. U).

Kinnitage lõiketera nurga lukustushoob (6).

Tähelepanu: Kui peate liitlõikeks määrama mõlemad kaldenurgad (nii horisontaalsel kui vertikaalsel tasandil), määrake alati esmalt faasimise nurk.

### **LÕIKETERA JA TÖÖLAUA RISTISE ASENDI KONTROLLIMINE JA KOHANDAMINE (JOON. U JA JOON. W)**

Täpsete lõigete tagamiseks kontrollige regulaarselt sae peamisi seadistusparameetreid ja kohandage neid vastavalt vajadusele.

Avage lõiketera nurga lukustushoob (6)

Viige lõikepea kõige parempoolsemasse asendisse (pöördalusega risti) ja kinnitage lõiketera nurga lukustushoob (6) (joon. U).

Vabastage laua pöörlemise blokeerimise hoob (29).

Fikseerige pöördalus (31) 0°-asendisse ja kinnitage pöörlemise blokeerimise hoob (29).

Vajutage liigutatava katte lukustushoovale (39) ja viige sae pea kõige alumisse asendisse.

Kontrollige tööriista abil, kas lõiketera ja pöördalus (31) on teineteise suhtes risti.

Tähelepanu: Mõõtmiste teostamisel jälgige, et mõõtevahend ei puutuks vastu lõiketera hambaid. Vastasel juhul võib mõõtetulemus olla ebatäpne.

Kui mõõtenurk pole 90°, tuleb teostada järgmised kohandustoimingud:

Kallutage saagi õrnalt küljele.

Pöörake kohanduskruvi (b) (joon. U) lõiketera kaldenurga suurendamiseks või vähendamiseks päripäeva või vastupäeva.

Kui töölaua ja lõiketera ristisend on määratud, laske lõikepeal ülemisse asendisse tagasi liikuda.

Lõikepea 45°-kraadise faasimisnurga saavutamiseks teostage sarnane kohandamistoiming, kasutades kohanduskruvi (c) (joon. W), mis asub sae telje vastasküljel.

### **HOOLDUS**

Tähelepanu: Enne seadme hooldustööde teostamist veenduge, et seade ei ole elektrivõrku ühendatud.

### **PUHASTAMINE**

Pärast töö lõpetamist, eemaldage töölaualt ning lõiketera pealt ja ümbert hoolikalt kõik materjalitükid ning kogu praht ja tolmu.

Puhastage saag harjaga või suruõhuga.

Ärge kasutage sae puhastamiseks vett ega keemilisi puhastusvahendeid.

Mootori ülekuumenemise vältimiseks puhastage õhutusavasid regulaarselt.

Hoidke saagi siseruumides, kuivas ja lastele kättesaamatus kohas.

Toote OHUTUSE ja TÖÖKINDLUSE säilitamiseks tulen remonttööd, hooldustööd ja muud kohandustoimingud teostada volitustega remonditöökojas, kasutades sobivaid varuosi.

Kontrollige regulaarselt, kas kõik poldid ja kinnituskruvid on korralikult kinni. Kinnitusdetailid võivad kasutamise käigus pika aja jooksul lahti tulla.

### **LÕIKETERA VAHETAMINE (JOON. X)**

Vahetage lõiketera, kui seade töötab eerungisae režiimis.

Tõmmake sae telje vabastamiseks pea lukustustihvti (28).

Laske sae teljel vabalt ülemisse asendisse tagasi liikuda.

Vajutage ja hoidke all liigutatava katte lukustushooba (39).

Lõiketera (14) kinnituskruvi juurde pääsemiseks tõstke liigutatav kate (34) üles.

Vajutage ja hoidke all võllilukustushooba (48) (võlli lukustamiseks võib olla vajalik lõiketera pööramine).

Lõiketera kinnituskruvi avamiseks kasutage komplektis sisalduvat kuuskantvõtit (14). Pöörake võtit päripäeva (joon. X).

Vabastage võllilukustushoob (48) ja eemaldage kruvi, mis hoiab lõiketera ja välimist muhvi.

Enne paigaldamist puhastage kõik paigaldatavad komponendid.

Paigaldage lõiketera seesmise muhvi peale.

Asetage uus lõiketera nii, et tera hambad ja teral olev nool oleksid vastavuses statsionaarsel kattel (38) oleva noole suunaga.

Paigaldage välimine muhvi, vajutage ja hoidke all võllilukustushooba ning kinnitage lõiketera, pöörates kinnituskruvi vastupäeva.

Laske liigutatav kate (34) tavaasendisse (kate peab lõiketera täielikult katma).

Veenduge, et liigutatav kate (34) on korrektses asendis ja liigub sae telje tõstmise ja langetamise korral vabalt.

Tähelepanu: Jälgige, et lõiketera pöörlemissuund oleks korrektne (vaadake lõiketeral ja statsionaarsel kattel olevat noolt). Pärast lõiketera vahetamist veenduge käega tera pöörates, et tera liigub vabalt.

## SÜSINIKHARJASE VAHETAMINE (JOON. Y & JOON. Z)

Mootori kulunud (lühemad kui 5 mm), põlenud või pragunenud süsinikharjased tuleb kohe võtta välja vahetada. Vahetage süsinikharjased alati korraga.

Vahetage süsinikharjased, kui seade töötab eerungisae režiimis.

Keerake süsinikharjaste katted (33) lahti (joon. Y).

Eemaldage kasutatud süsinikharjased.

Puhastage tekkinud süsiniktolmu sisse.

Paigaldage uued süsinikharjased (harjased peaksid lihtsasti hoidikutesse kinnituma) (joon. Z).

Kruvige peale süsinikharjaste katted (33).

Tähelepanu: Pärast süsinikharjaste vahetamist käivitage saag tühikäigul ja oodake, kuni süsinikharjased ühenduvad mootori kommutaatoriga. Süsinikharjaseid tohib vahetada ainult vastava kvalifikatsiooniga isik. Kasutage ainult originaalvaruosi.

## TEHNILISED ANDMED

Saeketta läbimõõt	254 mm
Võimsus	1800 W
Ava läbimõõt	30 mm
Pöörded (koormuseta)	4200 p/min
Netokaal	32 kg
Turvaklass	II
Helirõhu tase	91,9 dB (A)
Helivõimsuse tase 1	04,9 dB (A)
Vibratsioon:	1,729 m/s <sup>2</sup> , K=1,5 m/s <sup>2</sup>

## MAKSIMAALNE LÕIKESÜGAVUS EERUNGISAENA

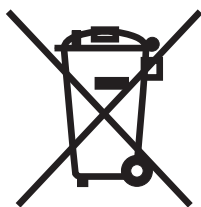
90° x 90°	65 x 155 mm
90° x 45°	65 x 105 mm
45° x 90°	40 x 155 mm
45° x 45°	40 x 105 mm

## MAKSIMAALNE LÕIKESÜGAVUS UNIVERSAALKETASSAENA

90°	70 mm
45°	50 mm

## KESKKONNAKAITSE

Teave (seadme koduses majapidamises kasutajatele) elektri- ja elektroonikaseadmete jäätmete keskkonnamärgistamiseks kasutusest kõrvaldamiseks (WEEE)



Kui toodetel ja/või kaasasolevatel dokumentidel on see sümbol, siis ei tohi kasutuskõlbmatuks muutunud elektri- ja elektroonikaseadmeid ladustada olmeprügi hulka. Toote nõuetekohaseks kasutusest kõrvaldamiseks, töötlemiseks, taastamiseks ja taaskasutamiseks viige toode vastavasse jäätmekogumispunkti. See teenus on tasuta. Mõnedes riikides on võimalus viia toode tagasi edasimüüjale tingimusel, et ostate sealt sarnase uue toote. Selle toote keskkonnamärgistamiseks kasutusest kõrvaldamine aitab säästa väärtuslikke ressursse ja ennetada võimalikku negatiivset mõju inimtervisele ja keskkonnale, mida võib põhjustada jäätmete väär kahjutustamine ja käitlemine. Täpsema teabe lähimast jäätmekogumiskeskusest saate kohalikul omavalitsuselt. Riiklike eeskirjade eiramisel selliste jäätmete kahjutustamisel võidakse karistada trahviga.

## ETTEVÕTETELE EUROOPA LIIDUS

Elektri- ja elektroonikaseadmete kasutusest kõrvaldamisel pöörduge lisateabe saamiseks edasimüüja või tarnija poole.

## Teave kasutusest kõrvaldamise kohta teistes riikides väljaspool Euroopa Liitu.

See sümbol kehtib ainult Euroopa Liidus.

Kui soovite seda toodet kasutusest kõrvaldada, pöörduge kohaliku omavalitsuse või edasimüüja poole ja küsige teavet kasutusest kõrvaldamise õigete meetodite kohta.

## Sümbolid

Tööriista andmeplaadil on erinevad sümbolid, mis annavad olulist teavet toote või selle kasutamise kohta.



Kasutage kuulmekaitseid.  
Kasutage silmakaitseid.  
Kasutage hingamisteede  
kaitsevahendeid.



Topeltisolatsioon tagab lisakaitse.



Vastab asjakohastele  
ohutusstandarditele.



Lugege kasutusjuhendit.



ÄRGE puudutage liikuvat saeketast.



ÄRGE minge seadme lähedale, kui  
kannate avaraid rõivaid.



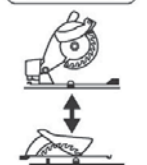
Ohutuse tagamiseks puhastage enne  
töö alustamist töölaud saepurust,  
väikestest laastudest jms.



Sae teisaldamisel jälgige oma käte  
asendit.



Enne kui pöörate saeketta teljel ümber,  
tõmmake sae pistik seinakontaktist  
välja.



Elektritoodete jäätmeid ei tohi visata  
olmeprügi hulka. Kus võimalik, viige  
toode vastavatesse  
kogumispunktidesse, mis tagavad toote  
taaskasutamise. Teavet taaskasutamise  
kohta saate kohalikult omavalitsuselt  
või edasimüüjalt.



See toode vastab RoHS'i nõuetele.



ÄRGE eemaldage kaitsekatteid ja  
-seadised, kui seade on sisse lülitatud.



ÄRGE puhastage, määrige ega  
remontige seadme liikuvaid osi.



Õhku paiskuda võivatest laastudest  
tulenev oht!

## ELEKTRĪBAS DATI

### SVARĪGS

Šim ražojumam ir elektriskā plombēta kontaktdakšiņa, kas piemērota ierīcei jūsu valsts barošanas strāvai, un atbilst starptautiskām normatīvām prasībām.

Šim instrumentam jābūt pieslēgtam pie barošanas sprieguma, kurš atbilst norādītajam uz tehniskas tabulas. Ja kontaktdakšiņa vai barošanas vads ir bojāti obligāti jānomaina detaļas, kas ir indentiskas oriģinālām detaļām.

Vienmēr ievērojiet savas valsts lēmumus par pieslēgšanas pie elektrības barošanas tīkla. Tādā gadījumā, kad šaubāties, vienmēr griezieties pie kvalificēta elektriķa.

### IEVADS

Paldies, ka iegādājāties šo produktu, kas ir izgājis mūsu daudzpusīgo kvalitātes apliecinājuma procesu. Mēs parūpējamies, lai nodrošinātu to, ka saņemat instrumentu ideālā stāvoklī.

### DROŠĪBAS PASĀKUMI

Pirms šī instrumenta lietošanas vienmēr ir jāievēro turpmāk minētie vispārīgie drošības pasākumi, lai samazinātu ugunsgrēka, elektrošoka un miesas bojājumu risku. Lai saprastu lietošanu, ierobežojumus un iespējamo ar šo instrumentu saistīto bīstamību, svarīgi izlasīt lietošanas instrukciju.

### GARANTIJAS SERTIFIKĀTS

Šā produkta garantija darbojas divus gadus, stājas spēkā no iegādāšanās datuma un attiecas tikai uz sākotnējo pircēju. Šī garantija attiecas tikai uz defektiem, kas radušies bojātu materiālu vai apdares dēļ un kas atklāti tikai garantijas periodā; neiekļauj patēriņa produktus. Izgatavotājs saremontēs vai mainīs produktu pēc saviem ieskatiem saskaņā ar turpmāk minēto. Produkts ir jāizmanto atbilstoši instrukcijām, un to nedrīkst nepareizi ekspluatēt vai izmantot neparedzētiem nolūkiem. To nedrīkst izjaukt vai kā citādi pārveidot, apkopi nedrīkst veikt nesertificētas personas un to nedrīkst iznomāt. Pārvaldīšanas bojājumi nav iekļauti šajā garantijā, jo par tiem ir atbildīgs transportēšanas uzņēmums. Prasības attiecībā uz šo garantiju vispirms garantijas perioda ietvaros ir jāveic tieši pie mazumtirgotāja. Produkts ir jānogādā atpakaļ pie izgatavotāja tikai izņēmumu gadījumos. Šādā gadījumā klienta pienākums ir nogādāt produktu atpakaļ par saviem līdzekļiem, nodrošinot, ka produkts ir atbilstoši iepakots, lai novērstu pārvaldīšanu bojājumus, un tiek pievienots īss bojājuma apraksts un kvīts kopija vai cits iegādāšanās pierādījums. Izgatavotājs saskaņā ar šo garantiju nav atbildīgs par jebkādiem specifiskiem, tipveida, tiešiem, netiešiem, nejaušiem vai izrietošiem zudumiem vai bojājumiem.

**Šis elektriskais instruments ir paredzēts tikai lietošanai sadzīvē. Šis elektriskais instruments nav piemērots un paredzēts komerciālai un profesionālai izmantošanai.**

**Garantija nesedz elektrisko instrumentu korpusa defektus un bojājumus, kuri radušies, izmantojot instrumentu no sadzīves lietošanas atšķirīgiem nolūkiem, īpaši, ja uz to izdarīts spiediens vai instruments lietots nepareizi.**

“Garantija zaudē spēku, ja instrumenta bojājumi radušies turpmāk minēto apstākļu dēļ:

1. Nepareiza produkta lietošana vai nolaidīgi veikta tehniskā apkope.
2. Produkts izmantots komerciāliem, profesionāliem vai nomas nolūkiem.
3. Produkta remontdarbus ir veicis nepilnvarots apkopes uzņēmums.
4. Bojājumi ir radušies ārēju objektu vai vielu dēļ.”

### LIKUMĪGĀS TIESĪBAS

Šī garantija ir kā pielikums un nekādi neietekmē jūsu likumīgās tiesības.

### PRODUKTA UTILIZĀCIJA

Ja produkts vairs nav izmantojams nolietojuma vai kādu citu iemeslu dēļ, to nedrīkst utilizēt kopā ar sadzīves atkritumiem. Lai pasargātu dabas resursus un minimizētu nelabvēlīgu ietekmi uz vidi, produktu otrreizēji izmantojiet vai utilizējiet videi draudzīgā veidā. Nogādājiet to savā vietējā atkritumu otrreizējās pārstrādes centrā vai kādā citā autorizētā savākšanas vai utilizēšanas instancē.

Ja neesat pārliecināti un nepieciešama informācija par pieejamām otrreizējās pārstrādes un/vai utilizācijas iespējām, sazinieties ar savu vietējo atkritumu apsaimniekošanas iestādi.

### VISPĀRĪGI DROŠĪBAS NOTEIKUMI BRĪDINĀJUMS! Izlasiet visas instrukcijas.

Ja visas turpmāk minētās instrukcijas netiek ievērotas, var rasties elektrošoks, uzliesmojums un/vai nopietni miesas bojājumi. Termins "elektroinstruments" visos turpmāk minētajos brīdinājumos attiecas uz jūsu elektrotīkla padeves (ar vadu) elektroinstrumentu vai akumulatora (bezvada) elektroinstrumentu.

### SAGLABĀJIET ŠĪS INSTRUKCIJAS

#### 1) DARBA VIETA

- a) Uzturiet darba vietu tīru un labi apgaismotu. Pārblīvētās un tumšās vietās rodas vairāk negadījumu.
- b) Nedarbiniet elektroinstrumentu sprādzienbīstamā atmosfērā, piemēram, viegli uzliesmojošu šķidrums, gāzu vai putekļu klātbūtnē. Elektroinstrumenti rada dzirksteles, kas var aizdedzināt putekļus vai izgarojumus.
- c) Darbinot elektroinstrumentu, turiet bērņus un skatītājus drošā attālumā. Uzmanības novēršana var radīt kontroles zaudēšanu.



## 2) ELEKTRISKĀ DROŠĪBA

- a) Elektroinstrumenta spraudkontakta ir jāatbilst kontaktligzdai. Neveiciet nekādus spraudkontakta pārveidojumus. Neizmantojiet ar iezemētu elektroinstrumentu nekādus adaptera spraudkontaktus. Nepārveidoti spraudkontakti un atbilstošas kontaktligzdas samazina elektrošoka risku.
- b) Izvairieties no saskares ar iezemētām virsmām, piemēram, cauruļvadiem, radiatoriem, plītiņiem un ledusskapjiem. Ja jūsu ķermenis ir iezemēts, pastāv paaugstināts elektrošoka risks.
- c) Nepakļaujiet elektroinstrumentu lietum vai mitrumam apstākļiem. Ja ūdens iekļūst elektroinstrumentā, paaugstinās elektrošoka risks.
- d) Neveiciet nepareizas darbības ar vadu. Neizmantojiet vadu elektroinstrumenta nešanai, vilkšanai vai atvienošanai no kontaktligzdas. Turiet vadu drošā attālumā no karstuma, eļļas, asām malām vai kustīgām detaļām. Bojāti vai samezgloti vadi palielina elektrošoka risku.
- e) Ja elektroinstrumentu izmanto ārtelpās, lietojiet ārtelpu lietošanai piemērotu pagarinātāju. Ja izmanto ārtelpu lietošanai piemērotu vadu, samazinās elektrošoka risks.

## 3) PERSONĪGĀ DROŠĪBA

- a) Lietojot elektroinstrumentu, esiet piesardzīgi, kontrolējiet savu rīcību un pieņemiet saprātīgus lēmumus. Neizmantojiet elektroinstrumentu, ja esat piekusuši vai narkotiku, alkohola vai medikamentu iedarbībā. Neuzmanība, lietojot elektroinstrumentu, var radīt nopietnus miesas bojājumus.
- b) Lietojiet drošības aprīkojumu. Vienmēr izmantojiet acu aizsargus. Ja piemērotos apstākļos izmanto tādu drošības aprīkojumu kā putekļu masku, neslīdošus aizsargapavus, ķiveri vai ausu aizsargus, tiek samazināts miesas bojājumu risks.
- c) Novērsiet nejaušu ieslēgšanu. Pirms pieslēgšanas kontaktligzdai pārliecinieties, vai slēdzis ir izslēgtā stāvoklī. Ja elektroinstrumentu pārnēsā ar pirkstu uz slēdža vai pieslēdz kontaktligzdai, slēdzim esot ieslēgtā stāvoklī, paaugstinās negadījumu iespējamība.
- d) Pirms elektroinstrumenta ieslēgšanas noņemiet jebkuru pielāgošanas atslēgu vai uzgriežņatslēgu. Ja uzgriežņatslēga vai pielāgošanas atslēga ir atstāta pie kādas instrumenta rotējošās daļas, var rasties miesas bojājumi.
- e) Nesniedzieties pāri. Vienmēr ievērojiet stabilu un līdzsvarotu stāvokli. Līdz ar to negaidītās situācijās var labāk kontrolēt instrumentu.
- f) Velciet piemērotu apģērbu. Nevelciet vaļīgu apģērbu vai juvelieru izstrādājumus. Turiet savus matus, apģērbu un cimds drošā attālumā no kustīgajām daļām. Vaļīgu apģērbu, juvelieru izstrādājumus vai garus matus var ieraut kustīgajās daļās.

- g) Ja ierīces ir paredzētas pieslēgšanai putekļu ekstrakcijas un savākšanas ierīcēm, pārliecinieties, lai tās būtu pieslēgtas un pareizi izmantotas. Šo ierīču izmantošana var samazināt ar putekļiem saistītu bīstamību.

## 4) ELEKTROINSTRUMENTA IZMANTOŠANA UN APKOPE

- a) Darbojoties ar elektroierīci, nepielietojiet pārmērīgu spēku. Izmantojiet savām vajadzībām piemērotu elektroinstrumentu. Piemērotas klases elektroinstrumenti efektīvāk un drošāk paveiks darbu.
- b) Neizmantojiet instrumentu, ja slēdzis to neieslēdz vai neizslēdz. Jebkurš elektroinstrumenti, ko nevar kontrolēt ar slēdzi, ir bīstams, un to nepieciešams remontēt.
- c) Pirms jebkuru pielāgojumu veikšanas, piederumu maiņas vai instrumenta novietošanas glabāšanā atvienojiet spraudkontakta no strāvas avota. Šādi piesardzības pasākumi samazina instrumenta nejaušas ieslēgšanas risku.
- d) Glabājiet tukšgaitas darbarīkus drošā attālumā no bērniem un neļaujiet personām, kuras nepārzina šo elektroinstrumentu vai šīs instrukcijas, to darbināt. Elektroinstrumenti neinstruētu personu rokās ir bīstami.
- e) Veiciet elektroinstrumentu apkopi. Pārbaudiet, vai kustīgās daļas ir piemēroti centrētas un sastiprinātas, daļas nav bojātas vai jebkuru citu stāvokli, kas var ietekmēt elektroinstrumenta darbību. Ja tas ir bojāts, pirms izmantošanas nodrošiniet instrumenta remontu. Daudzi negadījumi rodas nepietiekamas instrumenta apkopes dēļ.
- f) Griešanas darbarīkus uzturiet asus un tīrus. Piemēroti apkopti griešanas darbarīki ar asām griešanas malām retāk sapinas un ir vieglāk kontrolējami.
- g) Lietojiet elektroinstrumentu, piederumus, daļas utt. saskaņā ar šīm instrukcijām un attiecīgā instrumenta tipa paredzēto lietojumu, ņemot vērā darba apstākļus un veicamā darba veidu. Ja instrumentu izmanto neparedzētiem nolūkiem, var rasties bīstamas situācijas.

## 5) APKOPE

- a) Nodrošiniet, ka elektroinstrumenta apkopi veic kvalificēta persona, izmantojot tikai identiskas rezerves detaļas. Līdz ar to instrumenta drošība tiek uzturēta.

## PAPILDU DROŠĪBAS NOTEIKUMI DARBAM AR IERĪCI

**Strādājot gan slīpzāgā, gan zāģgalda režīmā, jāievēro tālāk minētie noteikumi.**

1. Jāvalkā acu un dzirdes aizsargaprīkojums. Jāizmanto arī cits atbilstošs personiskais aizsargaprīkojums.

2. Lietošanas laikā NEDRĪKST valkāt cimds, izņemot zāģa asmeņu nomaīņas nolūkos vai darbam ar izejmateriāliem pirms zāģa lietošanas.
3. Darba vietas grīdai ap zāģi jābūt labi sakoptai, un uz tās nedrīkst atrasties nenostiprināti priekšmeti, piemēram, naži un atgriezumi.
4. Zāģi nedrīkst darbināt, ja aizsargi un ripzāģis neatrodas savās vietās. Pirms katras lietošanas reizes pārbaudiet, vai asmens aizsargus var noslēgt kārtīgi. Ja asmens aizsargi nekustas brīvi un nenoslēdzas uzreiz, zāģi nedrīkst darbināt. Asmens aizsargus nedrīkst nostiprināt ar skavām vai piesiet atvērtajā pozīcijā. Visas nepareizās asmens aizsargu darbības ir jālabo nekavējoties.
5. Pirms asmens ierīkošanas vai tās laikā iztīriet tapu, atlokus (it īpaši ierīkošanas virsmu) un seškanšu bultskrūvi un uzmanieties, lai nesabojātu tos.  
Ja šīs daļas ir sabojātas, asmens var salūzt. Ja šīs daļas ir ierīkotas slikti, var rasties asmens vibrācija/svārstības vai noslīdēšana. Izmantojiet tikai šai ierīcei paredzētos atlokus.
6. Pirms lietošanas uzmanīgi pārbaudiet, vai asmenim nav plaisu vai bojājumu. Nedrīkst izmantot bojātu vai deformētu zāģa asmeni.
7. Drīkst izmantot tikai ražotāja ieteiktus un EN847-1 atbilstošus zāģa asmeņus, kā arī jānodrošina, ka ripzāģis nav biezāks par zāģa asmens veiktā griezuma platumu un nav plānāks par asmens korpusu.
8. Vienmēr jālieto šajā rokasgrāmatā ieteiktie piederumi. Izmantojot neatbilstošus piederumus, piemēram, abrazīvas atgriešanas ripas, var izraisīt traumas.
9. Izvēlieties griežamajam materiālam atbilstošu zāģa asmeni.
10. Nelietojiet zāģu asmeņus, kas ražoti no ātrgriezējtērauda.
11. Lai mazinātu darbā radīto troksni, vienmēr nodrošiniet, lai asmens būtu ass un tīrs.
12. Izmantojiet pareizi uzasinātus zāģa asmeņus. Ievērojiet uz zāģa asmens norādīto maksimālo ātrumu.
13. Negrieziet metālus, piemēram, naglas un skrūves.  
Pirms darba sākšanas apskatiet sagatavi un izņemiet visas naglas, skrūves un citas nepiederošās daļas.
14. PIRMS sākat griezt, atraisiet visus vaļīgos sagataves mezglus.
15. Ierīci nedrīkst lietot ugunsnedrošu šķidrumu vai gāzu tuvumā.
16. Drošības apsvērumu dēļ, pirms pieslēdzat ierīci elektrotīklam un sākat darbu, noņemiet no darba vietas un galda virsmas nažus, mazas detaļas un tamlīdzīgus priekšmetus.
17. Operatoriem jābūt atbilstoši apmācītiem ierīces lietošanā, regulēšanā un darbināšanā.
18. Nelieciet rokas un nestāviet, kā arī neļaujiet blakusstāvētājam atrasties zāģa asmens ceļā vai atbilstoši tam. Nepieļaujiet kontaktu ar nolaižamo asmeni. Tas joprojām var izraisīt smagas traumas un nesasniegt zāģa asmeni.
19. Vienmēr esiet uzmanīgs, it īpaši, kad veicat atkārtotas, monotonas darbības. Nepaļaujieties uz mānīgu drošības sajūtu. Asmeņi to nepiedos.
20. Pārliecinieties, ka pirms slēdža ieslēgšanas ir atlaists vārpstas fiksators.
21. Pirms ierīces lietošanas darbam ar faktisko sagatavi ļaujiet tai kādu laiku darboties. Apskatiet, vai nav vibrāciju vai svārstību — tās var norādīt uz sliktu ierīkošanu vai vāji līdzsvarotu asmeni.
22. Pirms griešanas pagaidiet, līdz asmens sasniedz pilnu ātrumu.
23. Ierīci nedrīkst izmantot rievšanai, gropēšanai vai rievu velmēšanai.
24. Kamēr ierīce darbojas un zāģa galviņa neatrodas miera stāvoklī, no griešanas laukuma nedrīkst noņemt nekādus atgriezumus vai citas sagataves daļas.
25. Ja pamanāt kaut ko neparastu, nekavējoties pārtrauciet darbu.
26. Pirms sagataves pārvietošanas vai iestatījumu maiņas izslēdziet ierīci un gaidiet, līdz zāģa asmens apstājas.
27. Pirms asmens nomaīņas, apkopes vai laikā, kad ierīci nelietojat, atvienojiet ierīci no elektrotīkla.
28. Noteikti darba laikā radītie putekļi satur vielas, kas izraisa vēzi, iedzimus defektus vai citas reproduktīvās problēmas. Daži šādu vielu piemēri:  
- svins no materiāla, kas krāsots ar svinu saturošu krāsu; un  
- arsēns un hroms no ķīmiski apstrādātiem kokmateriāliem.  
Jūsu risks no pakļautības to iedarbībai ir atkarīgs no tā, cik bieži veicat šāda veida darbu. Lai mazinātu šādu vielu ietekmi: strādājiet labi vēdinātās telpās un izmantojiet apstiprinātu drošības aprīkojumu, piemēram, putekļu maskas, kas īpaši paredzētas mikrodaļiņu filtrēšanai.
29. Zāģēšanas laikā savienojiet zāģi ar putekļu savākšanas ierīci.
30. Pēc galda apgriešanas pārliecinieties, ka galds ir droši nostiprināts ar sviru.

## UZMANĪBU!

Lietošanas ierobežojumi apkārtējās vides apstākļos: <40°C. Nelietot, ja temperatūra ir zemāka par 0°C (pēc Celsija). Ja elektroinstrumenti tiek novietoti uzglabāšanā, kur temperatūra ir zem 0°C (pēc Celsija), pirms lietošanas to ir jānogādā un jāatstāj istabas temperatūrā vismaz 1 stundu, lai tas uzsilst. Tas pasargā no iespējamajiem komponentu un vadu bojājumiem.

Strādājot slīpzāģa režīmā, jāievēro tālāk minētie noteikumi.

31. Zāģi drīkst lietot tikai koka, alumīnija vai līdzīgu materiālu griešanai.
32. Ja sagatavi griežat zāģa asmens tuvumā, to nedrīkst darīt, neizmantojot palīginstrumentus. Visu darbību laikā sagatave ir stingri jānostiprina pret grozāmo galdu un virzošo barjeru.
33. Pārliecinieties, ka grozāmais galds ir kārtīgi nostiprināts, lai darba laikā tas neizkustētos.
34. Slīpās griešanas laikā jānodrošina, ka strēle ir stingri nostiprināta. Lai strēli nostiprinātu, pievelciet sviru pulksteņrādītāja virzienā.
35. Pārliecinieties, ka asmens zemākajā pozīcijā nesaskaras ar pagriežamo galdu un pirms slēdža ieslēgšanas nesaskaras ar sagatavi.
36. Stingri turiet rokturi. Ņemiet vērā, ka ieslēgšanas un apturēšanas laikā zāģis mazliet pārvietojas uz augšu vai uz leju.  
  
Strādājot zāģgaldā režīmā, jāievēro tālāk minētie noteikumi.
37. Visas darbības jāveic, izmantojot palīginstrumentus. Strādāšana bez palīginstrumentiem nozīmē, ka sagatavi turat vai vadāt ar rokām, nevis ar garengriezuma barjeru.
38. Pārliecinieties, ka grozāmais galds ir droši nostiprināts.
39. Pārliecinieties, ka strēle ir droši fiksēta darba pozīcijā. Lai strēli nostiprinātu, pievelciet sviru pulksteņrādītāja virzienā.
40. Lai nebūtu jāstrādā ar rokām un pirksti neatrastos asmens tuvumā, izmantojiet bīdīšanas stieni vai bīdīšanas bloku.
41. Nodrošiniet, lai pirms slēdža ieslēgšanas asmens nesaskartos ar ripzāģi vai sagatavi.
42. Kad bīdīšanas stenis netiek lietots, vienmēr novietojiet to glabāšanai.
43. Īpaša uzmanība jāpievērš norādījumiem par ATSI TIENA riska mazināšanu. ATSI TIENS ir pēkšņa reakcija uz iespiestu, saliektu vai nepareizi izvietotu zāģa asmeni. ATSI TIENS izraisa sagataves izsišanu no instrumenta mugurpuses, operatora virzienā.  
  
ATSI TIENS VAR IZRAISĪT NOPIETNAS TRAUMAS. Nepieļaujiet ATSI TIENU rašanos — to var izdarīt, nodrošinot, ka asmens ir ass, ka garengriezuma barjera atrodas paralēli asmenim, ka ripzāģis un asmens aizsargs atrodas savās vietās un darbojas pareizi, un ka netiek veikts

garengriezums no savītām vai pagrieztām sagatavēm vai gar barjeru netiek vadīta taisna skaldne.

44. Nepieļaujiet strauju, ātru padevi. Griežot cietas sagataves, padošana jāveic pēc iespējas lēnāk. Padošanas laikā sagatavi nedrīkst saliekt vai pagriezt. Ja asmens apstājas vai iestrēgst, kamēr atrodas sagatavē, nekavējoties izslēdziet ierīci. Atvienojiet ierīci no elektrotīkla. Pēc tam atbrīvojiet aizsprostojumu.
45. Pirms ierīces apgriešanas vienmēr pārliecinieties, ka ierīces galviņa ir droši bloķēta viszemākajā pozīcijā, izmantojot apturēšanas tapu.

## KOMPONENTI UN VADĪBAS IERĪCES (NO 1. LĪDZ 1C. ATT.)

### TABULA: ZĀĢA VIENĪBAS

1.	Galda ripzāģis
2.	Griezējasms aizsarga fiksēšanas tapa
3.	Griezējasms aizsargs
4.	Griezējasms ieslīpināšanas leņķa bloķēšanas poga
5.	Griezējasms pacelšanas/nolaišanas poga
6.	Griezējasms ieslīpināšanas leņķa bloķēšanas svira
7.	Griezējasms apakšējais aizsargs
8.	Slēdzis
9.	Strāvas vada turētājs
10.	Piegriešanas šķēršļa fiksēšanas skrūve
11.	Darba galdā rotācijas bloķēšanas svira
12.	Darba galds
13.	Piegriešanas šķērslis
14.	Griezējasms
15.	Šķērszāģēšanas šķērslis
16.	Šķērszāģēšanas šķēršļa fiksēšanas poga
17.	Slīpuma mērītāja bloķēšanas poga
18.	Slīpuma mērītājs
19.	Riteņi
20.	Bīdāmā roktura turētājs
21.	Kājas bloķēšanas poga
22.	Kāja
23.	Regulējama pēda
24.	Slīpuma mērītāja sprauga
25.	Leņķu skala griezējasms ieslīpināšanai
26.	Griezējasms ieslīpinājuma indikators
27.	Piegriešanas šķēršļa fiksēšanas poga

## LEŅĶZĀĢA VIENĪBAS

28. Galvas bloķēšanas tapa
29. Galda rotācijas fiksēšanas poga
30. Šķērslis
31. Rotējošā plate
32. Rotējošās plates leņķu skala
33. Ogles sukas vāciņš
34. Pārvietojamais aizsargs
35. Galda ripzāģa fiksēšanas poga
36. Putekļu maisiņš
37. Putekļu savākšanas atvere
38. Stacionārais aizsargs
39. Pārvietojamā aizsarga bloķēšanas svira
40. Slēdža bloķēšanas poga
41. Roktura satveršanas vieta
42. Slēdzis
43. Vertikālās spīles bloķēšanas poga
44. Vertikālā spīle
45. Vertikālās spīles bloķēšanas svira
46. Galvas pozīcijas bloķēšanas svira
47. Ierobežotājs
48. Darbvārpstas fiksēšanas svira

\* Produkts var atšķirties no attēla.

## IZPAKOŠANA

Uzmanību! Šajā iepakojumā ietverti asi priekšmeti. Izpakojiet ierīci uzmanīgi. Izņemiet no iepakojuma ierīci un tās komplektācijā ietvertos piederumus. Rūpīgi pārbaudiet, vai ierīce ir labā darba stāvoklī, un noskaidrojiet, kādi piederumi ir iekļauti šīs instrukcijas sarakstā. Pārbaudiet arī, vai ir piegādāti visi norādītie piederumi. Ja trūkst kādas detaļas, atdodiet ierīci mazumtirgotājam oriģinālajā iepakojumā kopā ar tās piederumiem.

Neizmetiet iepakojumu, saglabājiet to visu garantijas laiku un, ja iespējams, nogādājiet to otrreizējai pārstrādei vai arī atbrīvojieties no tā atbilstoši vietējiem noteikumiem. Neļaujiet bērniem rotaļāties ar tukšiem plastmasas maisiņiem — pastāv nosmakšanas risks!

## MONTĀŽA

Piezīme Pirms veicat jebkādu ierīces montāžu vai demontāžu, pārbaudiet, vai ierīce nav pievienota elektroapgādei.

UZMANĪBU! Rūpējieties, lai grīda apkārt ierīcei būtu tīra un brīva no tādiem materiāliem kā, skaidas vai atgriezumi.

## APGRIEŽAMĀ ZĀĢA PAMATNE (A ATT.)

Ieslīpiniet zāģi nedaudz uz sāniem. Izmantojiet skrūves un kājas bloķēšanas pogas (21) (iekļautas), lai pievienotu kājas (22) pamatnei.

Iestatiet regulējamās kājas (23) tā, lai apgriezamais zāģis būtu stabilā pozīcijā.

## PUTEKĻU IZVADE (B ATT.)

Lai ievietotu putekļu maisiņu (36) cieši pievienojiet to putekļu izvades atverei (37) (ja zāģis darbojas leņķzāģa režīmā). Lai iztukšotu putekļu maisiņu (36), noņemiet to no putekļu izvades atveres (37) un atveriet rāvējslēdzēju, kas ļauj piekļūt maisiņa iekšpusei. Ja nepieciešama efektīvāka putekļu izvide, it īpaši veselībai kaitīgu, kancerogēnu putekļu gadījumā, pievienojiet sūkšanas ierīces šļūteni tieši pie putekļu izvades atveres (37) (izmantojot zāģi galda zāģa režīmā) vai atverei, kas atrodas griezējasmens apakšējā aizsargā (7) (izmantojot zāģi leņķzāģa režīmā).

Piezīme Regulāri iztukšojiet putekļu maisiņu. Lai uzlabotu putekļu izvadi, iztukšojiet maisiņu kad tā 2/3 ir pilnas.

## GRIEZĒJASMENS APAKŠĒJĀ AIZSARGA UZSTĀDĪŠANA (C ATT.)

Ja zāģis ieslēgts leņķzāģa režīmā, apakšējais griezējasmens aizsargs jāuzstāda tā, lai tas aizsegtu zemāko griezējasmens daļu.

Uzstādiet griezējasmens apakšējo aizsargu (7) un pievelciet skrūves.

Noņemiet griezējasmens apakšējo aizsargu (7), pirms uzsākat darbību galda zāģa režīmā).

## TRANSPORTĒŠANA (D un E ATT.)

Pirms zāģa transportēšanas veiciet šādas darbības:

Iestatiet zāģi galda zāģa režīmā.

Noņemiet piegriešanas šķērsli (13) un slīpuma mērītāju (14).

Uzstādiet griezējasmens apakšējo aizsargu (7).

Ieslīpiniet zāģi nedaudz uz sāniem.

Atskrūvējiet kājas bloķēšanas pogas (21), kas atrodas pie riteniem (19), pagrieziet kājas (22) uz iekšu par 90° (paralēli zāģim) un nobloķējiet tās šādā pozīcijā ar kāju bloķēšanas pogu (21) palīdzību.

Izdariet iepriekš minētās darbības arī ar otru kāju (22) pāri un pagrieziet tās par 90° uz āru no zāģa (D att.).

Pagrieziet zāģi tā, lai tas stāvētu uz riteniem, turiet kājas (22) ar abām rokām un pārbīdiet zāģi uz citu vietu (E att.).

Rīkojieties atbilstoši aprakstītajai procedūrai un veiciet darbības apgrieztā kārtībā, lai atkal samontētu zāģi darba galda režīmā vai leņķzāģa režīmā.



## **STRĀVAS VADA TURĒTĀJU UZSTĀDĪŠANA**

Pievienojiet strāvas vada turētājus (9) izmantojot komplektācijā iekļautās skrūves. Strāvas vada turētāju atrašanās vieta ir attēlota 1. att.

## **BĪDĀMĀ ROKTURA TURĒTĀJU UZSTĀDĪŠANA**

Pievienojiet bīdāmā roktura turētājus (20) izmantojot komplektācijā iekļautās skrūves. Strāvas vada turētāju atrašanās vieta ir attēlota 1A. att.

## **DARBĪBA UN IESTATĪJUMI**

Pirms pielāgojumu veikšanas pārliecinieties, ka zāģis ir atvienots no elektroapgādes. Lai zāģa darbība būtu droša, precīza un efektīva, pilnībā veiciet visas pielāgošanas procedūras.

Pēc tam, kad iestatīšana un pielāgošanas procedūras pabeigtas, pārliecinieties, ka savākti visi pielāgošanai izmantotie instrumenti. Pārbaudiet, vai visi savienošanas elementi ir pienācīgi ievietoti.

Veicot pielāgojumus pārliecinieties, ka visas ārējās daļas pienācīgi darbojas un atbilst visiem noteikumiem, kas ir jāizpilda pareizai ierīces darbībai. Ja kāda detaļa ir nolietojusies vai bojāta, tās nomaina pirms zāģa iedarbināšanas jāveic kvalificētam darbiniekam.

## **IETEIKUMI ZĀĢĒŠANAI**

Pēc katra pielāgojuma ieteicams veikt pārbaudes zāģējumu, lai pārbaudītu izmērus un pārliecinātos, ka jaunie iestatījumi ir pareizi.

Pēc zāģa ieslēgšanas un pirms zāģēšanas uzgaidiet, līdz griezējasmens darbojoties bez noslodzes sasniedz savu lielāko maksimālo ātrumu.

Nostipriniet garus objektus tā, lai pēc nozāģēšanas tie nenokristu (piem., ar kustīga balsta palīdzību).

Esiet ļoti uzmanīgi uzsākot zāģēšanu!

Zāģējot kokmateriālus, kas jau iepriekš izmantoti, pārliecinieties, ka tajos nav nevēlamu objektu, piemēram, naglu, skrūvju u.c.

Pirms izņemat nozāģētās daļas, uzgaidiet, līdz griezējasmens pilnībā apstājas.

Vienmēr turiet apstrādājamo materiālu aiz tā lielākās daļas. Nekad neturiet detaļu, ko zāģējat.

## **GALDA ZĀĢA REŽĪMS**

### **GALDA RIPZĀĢA IESTATĪŠANA (F ATT.)**

Noregulējiet darba galdu (12) leņķzāģa režīmā.

Novietojiet asmeni 0° šķērszāģēšanas pozīcijā.

Paceliet leņķzāģi augstākajā pozīcijā, izņemot galvas bloķēšanas tapu (28) no bloķēšanas atveres. Pagrieziet galvas bloķēšanas tapu par 90° tā, lai tā būtu atvērtā pozīcijā.

Atbrīvojiet galda ripzāģa fiksēšanas pogu (35) un pagrieziet ripzāģi (1) tādā pozīcijā, lai tas pārklātu griezējasmēni (14) un uzdevas izciļņi atbilstu vadrievām. Lai pareizi ievietotu galda ripzāģi (1), jums pilnībā jānoņem asmens aizsargs. Lai noņemtu asmens aizsargu, nospiediet pārvietojamā aizsarga bloķēšanas

sviru (39). Esiet uzmanīgi, noņemot asmens aizsargu, jo asmens ir ass un var radīt ievainojumus.

Nostipriniet galda ripzāģa fiksēšanas pogu (35), lai nofiksētu to vietā.

Pavelciet zāģa galvu uz leju tās zemākajā stāvoklī un pagrieziet griezējasmens pacelšanas/nolaišanas pogu (5), līdz galvas bloķēšanas tapa (28) tiek ievietota bloķēšanas atverē.

Pavelciet darba galda rotācijas bloķēšanas sviru (11) un pagrieziet darba galdu (12) galda zāģa režīmā.

Piezīme Novietojiet galda ripzāģi (1) tā, lai attālums starp griezējasmēni (4) un ripzāģi būtu

3-5 mm (ripzāģim jābūt novietotam tieši blakus griezējasmēnim) (G att.). Pēc katras griezējasmens nomainas pārbaudiet ripzāģa pozīciju.

## **GRIEZĒJASMENS AIZSARGA UZSTĀDĪŠANA (H ATT.)**

Nospiediet griezējasmens aizsarga (2) fiksēšanas tapas pogu un novietojiet griezējasmens aizsargu (3) uz ripzāģa (1).

Griezējasmens aizsargu var noņemt, veicot iepriekš minētās darbības apgrieztā secībā.

Piezīme Pievienojiet griezējasmens aizsargu tā, lai tas paceltos, kad materiāls tuvojas griezējasmēnim, un brīvi nolaižas, kad zāģēšana ir pabeigta.

## **PIEGRIEŠANAS ŠĶĒRŠĻA UZSTĀDĪŠANA (I ATT.)**

Piegriešanas šķērsli uz darba galda var uzstādīt abās griezējasmens aizsarga pusēs.

Iebīdīdiet piegriešanas šķērsļa (13) stiprinājumu darba galda (12) vadspraugā.

Novietojiet piegriešanas šķērsli (13) vēlamajā pozīcijā (izmantojiet skalu) un nostipriniet to ar piegriešanas šķērsļa fiksēšanas pogu (27).

Ieteicams veikt pārbaudes zāģējumu, izmērīt un, ja nepieciešams, noregulēt piegriešanas šķērsli.

Lai novērstu apstrādājama materiāla ieķeršanos, jūs varat atbrīvot piegriešanas šķērsļa fiksēšanas skrūvi (10) un novietot piegriešanas šķērsli (13) gareniski (I att.).

Piezīme Pārvietojiet piegriešanas šķērsļa stiprinājumu, ja vēlaties pievienot piegriešanas šķērsli pretējā darba galda pusē.

## **IESLĒGŠANA UN IZSLĒGŠANA (J ATT.)**

Tikla spriegumam jāatbilst spriegumam, kas norādīts uz zāģa datu plāksnītē.

Ieslēdziet zāģi tikai tad, ja apstrādājamais materiāls atrodas drošā attālumā no griezējasmens.

Ieslēgšana – nospiediet slēdža (8) pogu “I”.

Izslēgšana – nospiediet slēdža (8) pogu “O”.



## ZĀĢĒŠANAS DZIĻUMA REGULĒŠANA

Pagrieziet griezējasmens pacelšanas/nolaišanas pogu (5) pretēji pulksteņa rādītāju kustības virzienam vai to kustības virzienā, lai palielinātu vai samazinātu zāģēšanas dziļumu.

Piezīme Zāģim jābūt noregulētam tā, lai griezējasmens augstākais punkts būtu tikai nedaudz virs apstrādājamā materiāla virsmas.

## SLĪPZĀĢĒŠANA (K ATT.)

Veicot slīpzāģēšanu vienmēr izmantojiet piegriešanas šķērsli.

Atbrīvojiet griezējasmens ieslīpināšanas leņķa bloķēšanas sviru (6). (Lai atvieglotu lietošanu, jūs varat nospiegt griezējasmens ieslīpināšanas leņķa bloķēšanas pogu (4) un pārlēgt griezējasmens ieslīpināšanas leņķa bloķēšanas sviru (6) citā pozīcijā.)

Iestatiet maksimālo griezējasmens (14) maksimālo zāģēšanas dziļumu.

Pārlēdziet griezējasmeni (14) citā pozīcijā, lai sasniegtu nepieciešamo leņķi, ko uz griezējasmens ieslīpināšanai paredzētās leņķu skalas (25) uzrāda griezējasmens slīpinājuma indikators (26).

Pievēlciat griezējasmens ieslīpināšanas leņķa bloķēšanas sviru (6).

Noregulējiet piegriešanas šķērsli (13) nepieciešamajā zāģēšanas platumā.

Ieslēdziet zāģi un veiciet zāģēšanu.

## LEŅĶZĀĢĒŠANA AR SLĪPUMA MĒRĪTĀJU (L ATT.)

Jūs varat uzstādīt slīpuma mērītāju vienā no divām vadspraugām, kas atrodas abās darba galda pusēs.

Noņemiet piegriešanas šķērsli (13) no darba galda virspuses (12).

Ievietojiet slīpuma mērītāju (18) vienā no slīpuma mērītāja spraugām (24).

Izmantojiet šķerszāģēšanas šķēršļa fiksēšanas pogu (16), lai pievienotu šķerszāģēšanas šķērsli (15) slīpuma mērītājam (18), noregulējiet zāģēšanas leņķi un nofiksējiet to ar slīpuma mērītāja (17) bloķēšanas pogu (L att.).

Ja slīpzāģēšanai nepieciešams noslīpināt griezējasmeni, ievietojiet šķerszāģēšanas šķērsli (15) tā, lai tas nesaskartos ar griezējasmeni (šķerszāģēšanas šķērsli var pārvietot).

Pirms zāģa ieslēgšanas pārvietojiet slīpuma mērītāju (18) uz griezējasmens pusi, lai nodrošinātu, ka šķerszāģēšanas šķērslis (15) ir aptuveni 2 cm attālumā no griezējasmens.

Cieši turiet apstrādājamo materiālu pret šķerszāģēšanas šķērsli (15).

Lai veiktu zāģējumu, ieslēdziet zāģi un virziet slīpuma mērītāju ar šķerszāģēšanas šķērsli un apstrādājamo materiālu pretī griezējasmenim.

Piezīme Vienmēr virziet zāģējamo materiālu pietiekami tālu, lai pabeigtu zāģēšanu.

Šķerszāģēšanas laikā neizmantojiet piegriešanas šķērsli kā apstrādājamā materiāla garuma ierobežotāju, jo šī daļa var iestrēgt starp piegriešanas šķērsli un griezējasmeni, kā arī radīt atpakaļsitiena efektu.

## PIEGRIEŠANA

Piegriešana ir materiāla zāģēšana visā tā garumā, lai iegūtu vēlamo platumu.

Novietojiet piegriešanas šķērsli (13) piemērotā zāģēšanas platumā.

Ieslēdziet zāģi un uzgaidiet, līdz griezējasmens sasniedz pilnu rotācijas ātrumu.

Piespiediet materiālu piegriešanas šķērslim (13) un virziet to griezējasmens virzienā līdz galda ripzāģa (1) galam (griezējasmens tuvumā izmantojiet bīdāmo rokturi).

Atstājiet sazāģēto materiālu uz darba galda, līdz griezējasmens pilnībā apstājas.

Piezīme Pēc katra pielāgojuma veiciet pārbaudes zāģējumu, lai pārbaudītu, vai jaunie iestatījumi ir pareizi. Veicot zāģēšanu stāviet zāģēšanas līnijas malā.

## NELIELU OBJEKTU ZĀĢĒŠANA

Novietojiet piegriešanas šķērsli (13) piemērotā zāģēšanas platumā.

Ievietojiet materiālu ar abām rokām. Tuvojoties griezējasmenim, vienmēr izmantojiet bīdāmo rokturi (iekļauts komplektācijā) vai papildu koka gabalu, lai virzītu materiālu vai piespiestu apstrādājamo materiālu piegriešanas šķērslim (13).

Vienmēr aizbīdīet zāģējamo materiālu līdz galda ripzāģa (1) galam.

Piezīme Zāģējot īsus un šaurus objektus, jau no sākuma izmantojiet bīdāmo rokturi.

## LEŅĶZĀĢA REŽĪMS

Ja ierīce nav izmantota vai tā izmantota galda zāģa režīmā, nospiediet griezējasmens pacelšanas/nolaišanas pogu, lai novietotu griezējasmeni zemākajā pozīcijā.

## UZSTĀDĪŠANA (M ATT.)

Noņemiet griezējasmens aizsargu (3).

Novietojiet griezējasmeni (14) zemākajā pozīcijā, izmantojot griezējasmens pacelšanas/nolaišanas pogu (5).

Noņemiet piegriešanas šķērsli (13) un slīpuma mērītāju (18).

Uzstādiet griezējasmens apakšējo aizsargu (7).

Pavelciat darba galda rotācijas bloķēšanas sviru (11) un pagrieziet darba galdu (12) par 180°, līdz darba galda rotācijas bloķēšanas svira (11) ar dzirdamu klikšķi nonāk vietā (M att.).

Atbrīvojiet galda ripzāģa fiksēšanas pogu (35) un pagrieziet ripzāģi (1) tādā pozīcijā, lai tas nepārklātu griezējasmeni (14) un uzmavas izciļņi atbilstu vadrievām.

Nostipriniet galda ripzāģa fiksēšanas pogu (35), lai nofiksētu to vietā.

### **ZĀĢA PLECA IZMANTOŠANA (N ATT.)**

Zāģa plecam ir divas pozīcijas – augšējā un apakšējā. Lai atbrīvotu galvu, kas nobloķēta apakšējā pozīcijā, veiciet šādas darbības:

Viegli nospiediet un turiet zāģa plecu;

Pavelciet galvas bloķēšanas tapu (28) tā, lai galvas drošības bultskrūve izslīdētu no bloķēšanas atveres.

Pagrieziet galvas bloķēšanas tapu (28) par 90° un nobloķējiet to šādā pozīcijā (N att.).

Turiet zāģa plecu, līdz tas paceļas augšējā pozīcijā.

Jūs varat nobloķēt zāģa plecu apakšējā pozīcijā, veicot atbloķēšanas darbības apgrieztā secībā, pēc tam, kad atlaista pārvietojamā aizsarga bloķēšanas svira (39).

### **VERTIKĀLĀS SPĪLES UZSTĀDĪŠANA (O ATT.)**

Vertikālo spīli var uzstādīt abās darba galda pusēs un to iespējams pilnībā pielāgot apstrādājamā objekta izmēram.

Ievietojiet vertikālo spīli (44) vienā no darba galda atverēm.

Pievelciet vertikālās spīles bloķēšanas pogu (43).

Pagrieziet tapskrūvi, lai tā atbilstu vertikālajai spīlei (44) ar apstrādājamo materiālu.

Nostipriniet to nospiežot vertikālās spīles bloķēšanas sviru (45) (O att.).

Piezīme Lai sasniegtu optimālu darba drošību, vienmēr nostipriniet apstrādājamo materiālu vietā. Neizvēliet objektus, kas ir pārāk mazi, lai tos nofiksētu.

### **ZĀĢĒŠANAS DZIĻUMA REGULĒŠANA (N UN P ATT.)**

Lai pārlicinātos, ka griezējasmens nepieskaras apgriežamajai zāģa pamatnei, pirms darba uzsākšanas jāpārbauda maksimālais zāģēšanas dziļums.

Noregulējiet rotējošo plati (31) un zāģa plecu 0° pozīcijā.

Pārvietojiet ierobežotāju (47) tā, lai tas atbalstītos uz regulēšanas skrūves (a) (N att.).

Nolaidiet zāģa plecu un turiet to šādā pozīcijā piespiestu pie apturēšanas spārna.

Ar rokām pagrieziet griezējasmeni (14), lai pārlicinātos, ka tas var brīvi kustēties.

Ja maksimālais zāģēšanas dziļums iestatīts pareizi, griezējasmenim (14) jāiekļūst 5 mm dziļumā zem rotējošās plātes (31) virsmas (P att.).

Ja iestatījumi ir nepareizi, grieziet regulēšanas skrūvi (a) (N att.) pulksteņa rādītāju kustības virzienā vai pretēji tam, līdz griezējasmens iespīšanās dziļums ir pareizs.

### **IESLĒGŠANA UN IZSLĒGŠANA (R ATT.)**

Tikla spriegumam jāatbilst spriegumam, kas norādīts uz zāģa datu plāksnītē.

Ieslēdziet zāģi tikai tad, ja griezējasmens atrodas drošā attālumā no apstrādājamā materiāla.

Leņķzāģim ir iebūvēta slēdža bloķēšanas poga (40), kas aizsargā no nejaušas ieslēgšanās.

### **IESLĒGŠANA**

Nospiediet slēdža bloķēšanas pogu (40).

Nospiediet un turiet slēdža pogu (42) (R att.).

### **IZSLĒGŠANA**

Atlaidiet slēdža pogu (42).

Piezīme Leņķzāģa režīmā slēdzis (8) ir deaktivizēts.

### **ŠAURU MATERIĀLA DAĻU NOZĀĢĒŠANA**

Nozāģēšana visbiežāk tiek veikta šaurām materiāla daļām. Pirms ieslēgšanas pārlicinieties, ka galda rotācijas bloķēšanas poga (29) un griezējasmens ieslīpināšanas leņķa bloķēšanas svira (6) ir cieši pievilkti.

Nostipriniet materiālu uz darba galda; ņemiet vērā materiāla izmēru.

Iestatiet vēlamo zāģēšanas leņķi.

Atbloķējiet zāģa plecu un griezējasmens aizsargu.

Nospiediet slēdža pogu (8) (uzgaidiet līdz griezējasmens sasniedz pilnu rotācijas ātrumu).

Turiet roktura satveršanas vietu (41) un lēnām virziet to uz leju. Veiciet zāģējumu, izdarot mērenu spiedienu.

Izslēdziet zāģi un uzgaidiet līdz griezējasmens pilnībā apstājas.

Lēnām paceliet zāģa plecu.

Bīstami! Nepietiekami pievilktas galda rotācijas bloķēšanas pogas dēļ materiāla virskārtā var notikt negaidītas griezējasmens kustības. Tādā veidā operators riskē gūt ievainojumus no izvīstām materiāla daļām.

### **DARBA GALDA IESTATĪŠANA LEŅĶZĀĢĒŠANAI (S ATT.)**

Rotējošā plāte (31) sniedz iespēju zāģēt materiālu leņķī 45° diapazonā pa labi un pa kreisi no perpendikulārās pozīcijas.

Pavelciet galvas bloķēšanas tapu (28) un ļaujiet zāģa plecam lēnām pacelties augšējā pozīcijā.

Atbrīvojiet galda rotācijas bloķēšanas pogu (29).

Iestatiet rotējošo plati (31) vēlamajā pozīcijā, atbilstoši rotējošās plātes leņķu skalai (32) (S att.).

Nobloķējiet to pievelkot galda rotācijas bloķēšanas pogu (29).

Rotējošajā platē (31) ir vairākas rievas, kuras paredzētas, lai ērti izvēlētos bieži izmantotus zāģēšanas leņķus. Tie ir zāģēšanas leņķi, kas tiek izmantoti visbiežāk (0°, 15°, 22.5°, 30°, 45° pa labi vai pa kreisi). Izmantojot rotējošās plātes leņķu skalu (32), kurā ir atzīmēts katrs grāds, iespējams precīzi iestatīt jebkādu leņķi. Lai gan skala ir pietiekami precīza un piemērota daudziem uzdevumiem, ieteicams vairākkārt pārbaudīt zāģēšanas leņķi ar transportiera vai citas leņķu mērīšanas ierīces palīdzību.

Piezīme Ja izmantojat standarta leņķu ātro iestatīšanu, nofiksējoties rievā, sprūda klikšķim jābūt skaidri dzirdamam.

### **ZĀĢA PLECA (GALVAS) IESTATĪŠANA SLĪPZĀĢĒŠANAI (T UN U ATT.)**

Lai veiktu slīpzāģēšanu, zāģa plecu var ieslīpināt jebkurā leņķī, kas ir no 0° līdz 45° (T att.).

Pavelciet galvas bloķēšanas tapu (28), kas atlaiž zāģa plecu un ļauj tam lēnām pacelties augšējā pozīcijā.

Atbrīvojiet griezējasmens ieslīpināšanas leņķa bloķēšanas sviru (6).

Ieslīpiniet zāģa plecu pa kreisi vēlamajā leņķī, ko iespējams nolasīt uz griezējasmens ieslīpināšanai paredzētās leņķu skalas (25) (U att.).

Pievelciet griezējasmens ieslīpināšanas leņķa bloķēšanas sviru (6).

Piezīme Ja nepieciešams iestatīt abus leņķus kopīgai zāģēšanai (abās plaknēs – horizontālajā un vertikālajā), vienmēr vispirms iestatiet slīpinājuma leņķi.

### **PERPENDIKULĀRĀ GRIEZĒJASMENS UN DARBA GALDA STĀVOKĻA PĀRBAUDE UN REGULĒŠANA (U UN W ATT.)**

Lai zāģējumi būtu precīzi, periodiski pārbaudiet zāģa pamata iestatījumu parametrus un, ja nepieciešams, veiciet izmaiņas.

Atbrīvojiet griezējasmens ieslīpināšanas leņķa bloķēšanas sviru (6).

Pabīdiet galvu līdz galam pa labi (perpendikulāri rotējošajai plātei) un nofiksējiet griezējasmens ieslīpināšanas leņķa bloķēšanas sviru (6) (U att.).

Atbrīvojiet galda rotācijas bloķēšanas pogu (29).

Noregulējiet rotējošo plati (31) 0° pozīcijā un nofiksējiet galda rotācijas bloķēšanas pogu (29).

Nospiediet pārvietojamā aizsarga bloķēšanas sviru (39) un nolaidiet zāģa galvu zemākajā pozīcijā.

Izmantojiet ierīci, lai pārbaudītu, vai griezējasmens un rotējošā plāte (31) ir novietota perpendikulāri.

Piezīme Veicot mērījumus, pārliecinieties, ka mērierīce nepieskaras nevienam griezējasmens zobam, jo citādi mērījums var būt neprecīzs.

Ja nomērītais leņķis nav 90° plats, jāveic šāda regulēšana:

Ieslīpiniet zāģi pa kreisi;

Pagrieziet regulēšanas skrūvi (b) (U att.) pulksteņa rādītāju kustības virzienā vai pretēji tam, lai samazinātu griezējasmens ieslīpinājuma leņķi;

Ja griezējasmens un darba galds novietots perpendikulāri, ļaujiet, lai galva atgriežas tās augšējā stāvoklī.

Līdzīgi veiciet arī galvas 45° slīpinājuma leņķa noregulēšanu, izmantojot regulēšanas skrūvi (b) (W att.), kas atrodas otrā zāģa pleca pusē.

### **APKOPE**

Piezīme Pirms veicat jebkādu ierīces uzturēšanu, pārbaudiet, vai ierīce nav pievienota elektroapgādei.

### **TĪRĪŠANA**

Ja darbs ir pabeigts, rūpīgi noņemiet visus materiālus, skaidas un putekļus no darba galda un zonas apkārt griezējasmenim un tā aizsargam.

Notīriet zāģi ar suku vai saspiesta gaisa strūklu.

Nekad zāģa tīrīšanai neizmantojiet ūdeni vai citus ķīmiskus šķīdumus.

Iztīriet ventilācijas atveres, lai novērstu motora pārkaršanu.

Glabājiet zāģi sausā, bērniem nepieejamā vietā.

Lai saglabātu produkta DROŠĪBU un UZTICAMĪBU, remontdarbi un apkope vai pielāgošana jāveic pilnvarotos servisa centros un vienmēr jāizmanto rezerves detaļas.

Regulāri pārbaudiet, vai visas bultskrūves un stiprinājumu skrūves ir pievilktas. Strādājot ilgāku laiku tās var atskrūvēties.

### **REZERVES GRIEZĒJASMENS (X ATT.)**

Nomainiet griezējasmeni, kad instruments ir ieslēgts leņķzāģa režīmā.

Pavelciet galvas bloķēšanas tapu (28), lai atbloķētu zāģa plecu.

Ļaujiet, lai zāģa plecs lēnām paceļas augšējā pozīcijā.

Piespiediet un turiet pārvietojamā aizsarga bloķēšanas sviru (39).

Paceliet kustināmo aizsargu (34) uz augšu tā, lai tas sasniegtu griezējasmens (14) stiprinājuma skrūvi.

Piespiediet un turiet darbvārpstas fiksēšanas sviru (48) (lai pagrieztu griezējasmeni iespējams būs nepieciešams nofiksēt darbvārpstu).

Lai atskrūvētu griezējasmens stiprinājuma skrūvi (14), izmantojiet komplektācijā iekļauto sešstūra atslēgu. Pagrieziet pulksteņa rādītāju kustības virzienā (X att.).

Atlaidiet darbvārpstas fiksēšanas sviru (48) un izņemiet skrūvi, kas tur griezējasmēni un tā ārējā manšeti.

Pirms uzstādīšanas notīriet visas detaļas.

Ievietojiet griezējasmēni iekšējā manšetē.

Ievietojiet jauno griezējasmēni tā, lai zobi un uz asmens norādītās bultiņas virziens atbilstu stacionārā aizsarga (38) virzienam.

Pievienojiet ārējo manšeti, nospiediet un turiet fiksēšanas sviru, kā arī pievelciet griezējasmēns stiprinājuma skrūvi pretēji pulksteņa rādītāju kustības virzienam.

Atlaidiet pārvietojamo aizsargu (34) parastajā pozīcijā (aizsargam pilnībā jānosedz griezējasmēns).

Pārliedziniet, ka pārvietojamais aizsargs (34) novietots pareizā pozīcijā un brīvi kustās paceļot un nolaižot zāģa plecu.

Piezīme Ievērojiet piemērotu griezējasmēns rotācijas virzienu (skatīt bultiņu uz griezējasmēns un stacionārā aizsarga). Pēc griezējasmēns nomainīšanas pārliedziniet, ka tas var kustēties, pagriežot to ar rokām.

#### REZERVES OGLES SUKA (Y UN Z ATT.)

Nekavējoties nomainiet nolietotās (īsāka par 5 mm), sadegušās vai iekļūkušās motora ogles sukas. Vienmēr nomainiet ogles sukas pa vienai.

Nomainiet ogles sukas, kad instruments ir ieslēgts leņķzāģa režīmā.

Atskrūvējiet ogles suku vākus (33) (Y att.).

Noņemiet lietotās ogles sukas.

Notīriet visus ogļu putekļus ar saspiesta gaisa strūklu.

Ievietojiet jaunās ogles sukas (sukām jābūt viegli ievietojamām suku turētājos) (Z att.).

#### VIDES AIZSARDZĪBA

Informācija par (privāto mājsaimniecību) videi nekaitīgu Elektrisko un elektronisko iekārtu atkritumu (WEEE) utilizāciju



Šis simbols uz produktiem un/vai saistītajiem dokumentiem norāda, ka nolietotas elektriskās un elektroniskās iekārtas nedrīkst utilizēt kopā ar sadzīves atkritumiem. Lai pareizi utilizētu, apstrādātu, atjaunotu un otrreizēji pārstrādātu, nogādājiet šos produktus piemērotos savākšanas centros, kur tos pieņem bez maksas. Dažās valstīs, iegādājoties līdzvērtīgu jauno produktu, vecos var atdot atpakaļ arī savam mazumtirgotājam. Ja šo produktu pareizi utilizē, tiek aizsargāti vērtīgi resursi un novērsta iespējama nelabvēlīga iedarbība uz cilvēku veselību un apkārtējo vidi, kas rodas, atkritumus nepareizi utilizējot un apstrādājot. Papildu informācijai par tuvākajiem savākšanas centriem sazinieties ar savu vietējo iestādi. Par nepareizu atkritumu utilizēšanu soda naudas tiek piemērotas saskaņā ar valsts likumdošanu.

#### UZŅĒMUMIEM EIROPAS SAVIENĪBĀ

Ja vēlaties utilizēt elektriskās un elektroniskās iekārtas, papildu informācijai sazinieties ar savu izplatītāju vai piegādātāju.

#### Informācija par utilizāciju citās valstīs ārpus Eiropas Savienības

Šis simbols ir derīgs tikai Eiropas Savienībā.

Ja vēlaties utilizēt šo produktu, sazinieties ar savu vietējo iestādi vai izplatītāju un noskaidrojiet piemērotu utilizācijas veidu.

Uzskrūvējiet ogles suku vākus (33).

Piezīme Pēc tam, kad veikta ogles suku nomainīšana, iedarbiniet zāģi bez noslodzes un uzgaidiet, līdz ogles sukas tiek ievietotas komutatorā. Ogles suku nomainīšanu ieteicams uzticēt tikai kvalificētam darbiniekam. Izmantojiet tikai oriģinālās detaļas.

#### TEHNISKIE DATI

Asmens diametrs	254 mm
Nominālā jauda	1800 W
Atveres diametrs	30 mm
Darba ātrums bez slodzes	4200 min <sup>-1</sup>
Neto svars	32 kg
Drošības klase	II
Skaņas spiediena līmenis	91,9 dB (A)
Skaņas jaudas līmenis	104,9 dB (A)
Vibrācija:	1,729 m/s <sup>2</sup> , K=1,5 m/s <sup>2</sup>

#### Maksimālie slīpzāģa griezumi

90° x 90° 65 x 155 mm

90° x 45° 65 x 105 mm

45° x 90° 40 x 155 mm

45° x 45° 40 x 105 mm

#### Maksimālie zāģgaldā griezumi

90° 70 mm

45° 50 mm

## Simboli

Uz jūsu darbarīka datu plāksnītes var būt simboli. Tie attiecas uz svarīgu informāciju par produktu vai lietošanas instrukcijām.



Izmantojiet ausu aizsargus.  
Izmantojiet acu aizsargus.  
Izmantojiet elpošanas aizsardzību.



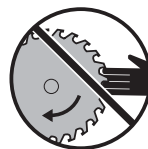
Dubultās izolācijas papildu drošībai.



Atbilst piemērotajiem drošības standartiem.



Izlasiet lietošanas instrukcijas.



**NEPIESKARIETIES** kustīgam asmenim



**NETUVOJIETIES** mašīnai ar vaļīgu apgērbu



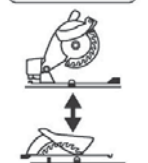
Drošības apsvērumu dēļ pirms darba sākšanas noņemiet no galda nažus, mazas detaļas un tam līdzīgus priekšmetus.



Nešanas laikā rokām jāatrodas atbilstošās pozīcijās.



Pirms ierīces apgriešanas ap asi atvienojiet to no elektrotīkla.



Elektriskos produktus nedrīkst izmest kopā ar sadzīves atkritumiem. Utilizējiet attiecīgajos centros. Informācijai par utilizācijas iespējām sazinieties ar vietējo iestādi vai mazumtirgotāju.



Produkts atbilst RoHs prasībām.



**NENOŅEM** drošības aizsargus un ierīces, kamēr mašīna darbojas



**NETĪRIET**, neeļļojiet un neremontējiet kustīgas daļas



Bīstama skaidu atlekšana



## ELEKTROS DUOMENYS

### SVARBU

Šis gaminys turi elektinį plombuotą kištuką tinkantį prietaisui ir jūsų šalies maitinimo srovei, bei atitinka tarptautinių normatyvų reikalavimus.

Šis įrenginys turi būti prijungtas prie maitinimo įtampos, kuri yra lygi nurodytajai ant techninės lentelės. Jei kištukas ar maitinimo laidas yra pažeisti turi būti pakeisti detalėmis, identiškomis originaliosioms.

Visada laikykitės savo šalies nutarimų dėl prijungimo prie elektros maitinimo tinklo.

Tuo atveju kai dvejojate, visada kreikitės į kvalifikuotą elektriką.

### ĮŽANGA

Dėkojame, kad įsigijote mūsų produktą. Šio produkto kokybė patikrinta naudojant mūsų specialią produktų kokybės užtikrinimo programą. Mes pasirūpinote, kad šis produktas jus pasiektų puikios būklės.

### SVARBIAUSIA – SAUGUMAS

Prieš pradėdant naudotis šiuo elektros prietaisu visuomet laikykitės toliau išvardintų esminių saugos taisyklių, taip iš esmės sumažinsite gaisro, elektros smūgio ar kitų avarinių situacijų riziką. Būtina pilnai perskaityti naudojimo instrukcijas ir suprasti šio prietaiso paskirtį, naudojimo sąlygas ir jo keliamus pavojus.

### GARANTINIS LIUDIJIMAS

Šiam produktui suteikiama 2 metų garantija, skaičiuojama nuo produkto įsigijimo datos ir taikoma tik pirminiam produkto savininkui. Ši garantija galioja tais atvejais, kai garantinio laikotarpio metu prietaisas sugenda dėl defektinių medžiagų ar gamybinio broko, garantija netaikoma greitai besidėvinčioms dalims. Gamintojas pasirinktinai sutaisys arba pakeis produktą, jei nebus pažeista nei viena iš toliau išvardintų sąlygų. Produktas buvo naudojamas laikantis produkto instrukcijose pateiktų nurodymų,

nebuvo naudojamas kitais nei instrukcijose numatyta tikslais. Produktas nebuvo ardomas, modifikuotas, prižiūrėtas/remontuotas neįgaliojant tai daryti asmenų ir nebuvo nuomojamas. Garantija taip pat netaikoma pažeidimams atsiradusiems produkto transportavimo metu, už tokius pažeidimus atsako transportavimo kompanija. Garantiniai skundai turi būti pateikiami nedelsiant aptikus produkto defektą, kreipiantis tiesiogiai į produktą pardavusį platintoją, nesibaigus garantiniam laikotarpiui. Tik išskirtiniais atvejais produktas gali būti grąžinamas tiesiai gamintojui. Tokiais atvejais produkto savininkas turi pasirūpinti produkto grąžinimu, tinkamu jo įpakavimu apsaugant produktą nuo kitų pažeidimų, pateikiant trumpą defekto aprašymą bei pirkimo čekio kopiją ar kitą produkto įsigijimo įrodymą. Gamintojas negali būti atsakingas už bet kokius specialius, išskirtinius, tiesioginius, netiesioginius, atsitiktinius ar kitokius nuostolius ar žalą, susijusiais su šia garantija. Ši garantija yra priedas prie vartotojo teisių, kurios aprašytos 1973 metais prekių pardavimo rezoliucijoje, papildytoje 1975 ir 1999 metais, ir niekaip kitaip jų neįtakoja.

**Šis elektrinis įrankis yra skirtas tik naudoti buityje. Jis nėra tinkamas ir nėra skirtas komerciniams tikslams, taip pat nėra tinkamas ir skirtas naudoti profesionaliai.**

**Garantija neapima elektrinių įrankių defektų ir žalos, kylančios dėl jų naudojimo ne pagal buities**

**paskirtį, ypač jei panaudojama jėga arba prietaisas naudojamas netinkamai.**

„Garantija negalioja, jei įrankis pažeidžiamas dėl vienos iš toliau nurodytų sąlygų:

1. jei produktas naudojamas netinkamai arba aplaidžiai, jei jis nėra tinkamai techniškai prižiūrimas;
2. jei produktas naudojamas komerciniams, profesiniams arba nuomos tikslais;
3. jei įrankio remonto darbus atliko neįgalioji techninės priežiūros bendrovė;
4. jei žalą sukėlė išoriniai daiktai arba medžiagos.”

### ĮSTATYMINĖS TEISĖS

Ši garantija papildo ir niekaip kitaip neįtakoja jūsų įstatymais numatytų teisių.

### PRODUKTO UTILIZACIJA

Kai produktas nebetinkamas eksploatacijai arba yra išmetamas dėl kitų priežasčių, jo negalima išmesti kartu su būtinėmis atliekomis. Siekiant išsaugoti natūralius resursus ir sumažinti neigiamą įtaką aplinkai, prašome jūsų pasirūpinti, kad produktas būtų perdirbamas arba utilizuojamas aplinkai saugiu būdu. Produktą reikia pristatyti į vietinį atliekų perdirbimo centrą ar kitą įgaliojantį atliekų surinkimo ir utilizavimo punktą.

Jei kiltų kokių nors neaiškumų, pasikonsultuokite su vietiniais atliekų tvarkymo specialistais dėl galimų tokio produkto perdirbimo ir (arba) utilizavimo būdų.

**BENDROSIOS SAUGAUS DARBO TAISYKLĖS DĖMESIO!** Perskaitykite pilnai visas instrukcijas.

Jei nesilaikysite žemiau pateiktų nurodymų, gali sukelti elektros smūgio, gaisro ir (arba) rimtų sužeidimų pavojų. Visuose toliau pateikiamuose įspėjimuose naudojamas terminas „elektros prietaisas“, nurodo jūsų prietaisą jungiamą prie elektros maitinimo tinklo (laidinis) arba prietaisą, kuris maitinamas elektros akumuliatoriaus (belaidis).

### ĮSĖSAUGOKITE ŠIAS INSTRUKCIJAS

#### 1) DARBO ZONA

- a) Palaikykite darbo zonoje švarą ir užtikrinkite tinkamą apšvietimą. Betvarkę, ar šviesos trūkumas sukelia avarines situacijas.
- b) Nenaudokite elektros prietaiso sprogiose aplinkose, pavyzdžiui patalpose, kuriose laikomi degus skysčiai, dujos ar dulkės. Elektros prietaisai sukelia kibirkštis, kurios gali sukelti tokių medžiagų degimą.

- c) Užtikrinkite, kad dirbant su elektros prietaisu, šalia nebūtų vaikų ir kitų pašalinių. Dėmesio nukreipimas gali sukelti avarines situacijas.

## 2) ELEKTROSAUGA

- a) Elektros prietaiso kištukas turi atitikti elektros tinklo lizdą. Jokiais atvejais nemodifikuokite elektros kištuko. Naudodami elektros prietaisą su įžeminimą užtikrinančiu kištuku, nenaudokite jokių adapterių. Nemodifikuoti kištukai ir tinkami elektros tinklo lizdai sumažins elektros smūgio riziką.
- b) Venkite kūno kontakto su įžemintais paviršiais, tokiais kaip vamzdžiai, radiatoriai, šaldytuvai ir kt. Jei jūsų kūnas liesis su įžemintais paviršiais, padidės elektros smūgio pavojus.
- c) Nenaudokite elektros prietaiso lietuje ar šlapioje aplinkoje. Vanduo patekęs į elektros prietaisą padidins elektros smūgio pavojų.
- d) Nenaudokite elektros laido netinkamai. Niekuomet neneškite, netraukite ir neišjunginėkite elektros prietaiso iš elektros tinklo laikydami už elektros laido. Saugokite elektros laidą nuo kaitros, alyvos, aštrių briaunų ar judančių dalių. Pažeisti ar susiraizgę laidai sukelia elektros smūgio pavojų.
- e) Dirbdami su elektros prietaisu lauko sąlygomis, naudokite tik lauko sąlygoms pritaikytą prailginimo laidą. Laido, tinkamo naudojimui lauko sąlygomis, naudojimas sumažina elektros smūgio pavojų.

## 3) ASMENINĖ SAUGA

- a) Dirbdami su elektros prietaisu visuomet būkite budrūs, stebėkite ką darote ir vadovaukitės sveiku protu. Nenaudokite elektros prietaiso jei esate pavargęs arba paveiktas vaistų, alkoholio ar narkotinių medžiagų. Akimirkliai į šalį nukreiptas dėmesys gali sukelti rimtų sužeidimų.
- b) Naudokitės apsauginėmis priemonėmis. Visuomet dėvėkite akių apsaugą. Apsaugos priemonės, tokios kaip nuo dulkių apsaugančios kaukės, neslystantys batai, pakietinta kepurė ar šalmas, ausų apsauga, tam tikromis situacijomis apsaugos jus nuo sužeidimų.
- c) Užtikrinkite, kad prietaisas negalėtų įsijungti per klaidą. Prieš jungiant prietaisą prie elektros tinklo įsitikinkite, kad jungiklis yra išjungtas. Nešiodami elektros prietaisą su pirštu padėtu ant jungiklio arba prietaiso jungimas prie elektros tinklo, kai jungiklis yra įjungtas, gali sukelti pavojingas situacijas.
- d) Prieš įjungiant elektros prietaisą, pašalinkite bet kokį reguliavimo raktą ar kitą įrankį. Raktas ar kitas įrankis pridėtas prie besisukančių elektros prietaiso dalių, gali sukelti rimtų sužeidimų.
- e) Išlaikykite stabilią stovėseną. Darbo su elektros prietaisu metu visą laiką išlaikykite stabilią pozą ir balansą. Taip netikėtose situacijose geriau suvaldysite elektros prietaisą.
- f) Tinkamai apsirenkite. Nedėvėkite laisvų drabužių ar papuošalų. Saugokite, kad šalia judančių dalių

nepakliūtų plaukai, drabužiai ar pirštinės. Laisvi drabužiai, papuošalai ar ilgi plaukai gali pakliūti ir užstrigti tarp judančių dalių.

- g) Jei tiekama dulkių surinkimo ir pašalinimo įrangą, būtinai ją pajunkite ir tinkamai naudokite. Šios įrangos naudojimas iš esmės sumažins dulkių keliamus pavojus.

## 4) ELEKTROS PRIETAISO NAUDOJIMAS IR PRIEŽIŪRA

- a) Nespauskite elektros prietaiso per stipriai. Pasirinkite tinkamą elektros prietaisą darbui atlikti. Su tinkamai parinktu elektros prietaisu ir dirbdami jam numatytu greičiu, darbą atliksite geriau ir saugiau.
- b) Nenaudokite prietaiso jei jungiklis neįsijungia arba neišsijungia. Bet kuris elektros prietaisas, kurio negalima valdyti jungiklių, kelia pavojų ir prieš naudojimą turi būti pataisytas.
- c) Prieš atliekant bet kokius elektros prietaiso reguliavimo ar priedų keitimo veiksmus ar paliekant elektros prietaisą darbo pabaigoje, visuomet atjunkite jį nuo elektros maitinimo tinklo. Tokie prevenciniai veiksmai sumažins atsitiktinio elektros prietaiso įsijungimo tikimybę.
- d) Elektros prietaisus laikykite vaikams nepasiekiamose vietose ir neleiskite asmenims, kurie nėra susipažinę su elektros prietaiso naudojimo taisyklėmis, naudotis prietaisu. Elektros prietaisai, naudojami nekvalifikuotų asmenų, kelia rimtą pavojų.
- e) Prižiūrėkite elektros prietaisus. Tikrinkite, ar elektros prietaisas nėra išsibalansavęs, ar nestringa prietaiso judančios dalys, ar nėra prietaiso ar jo dalių pažeidimų ir bet kokių kitokių situacijų, kurios gali paveikti elektros prietaiso darbą. Jei elektros prietaisas pažeistas, perduokite jį remontui. Didelę nelaimingų atsitikimų dalį sukelia netinkamai prižiūrimi elektros prietaisai.
- f) Užtikrinkite, kad priedai skirti pjovimui visuomet būtų aštrūs ir švarūs. Tinkamai prižiūrimi pjovimo įrankiai, aštriomis briaunomis, rečiau stringa ir yra žymiai lengviau valdomi.
- g) Elektros prietaisą, priedus ir įrankius naudokite tik laikydamiesi šiose instrukcijose pateiktų nurodymų ir įvertinant naudojamo elektros prietaiso tipą, darbinės sąlygas bei darbą, kurį reikia atlikti. Elektros prietaiso naudojimas užduotims, kurios nėra numatytos, gali sukelti pavojų.

## 5) APTARNAVIMAS

- a) Elektros prietaiso priežiūrą ir remontą patikėkite tik kvalifikuotiems specialistams, dalių pakeitimui naudokite tik identišką dalis. Taip užtikrinsite elektros prietaiso saugumą.

## PAPILDOMOS ĮRANKIO SAUGUMO TAISYKLĖS

### Pjūklui naudojant kaip kampinį pjūklą ir diskinį stalo pjūklą:

1. Reikia nešioti apsauginius akinius ir apsaugą ant ausų. Reikia nešioti ir kitus atitinkamus apsauginius drabužius.
2. Darbo su pjūklu metu NEGALIMA nešioti pirštinių, išskyrus atvejus, kai norite iškeisti pjaunamojo pjūklo diską, o taip pat prieš pjūklo panaudojimą imant šiurkščias medžiagas.
3. Grindys aplinkui pjūklą turi būti švarios, negali būti jokių medžiagų liekanų, t.y. drožlių ir atraižų.
4. Negalima naudotis pjūklu, jei nėra uždėtas gaubtas ir pritvirtintas skeliamasis pleištas. Prieš kiekvieną įrankio panaudojimą, patikrinkite ar disko gaubtas yra taisyklingai uždarytas. Negalima naudoti įrankiu, jei pjaunamojo disko gaubtai laisvai negali judėti ir užsidarinėti. Pjaunamojo disko gaubtų negalima spausti ir rišti atviroje padėtyje. Būtinai nedelsiant pataisykite, jei matote, jog pjaunamojo disko gaubtas netaisyklingai dirba.
5. Prieš arba montavimo pjaunamojo disko metu, reikia išvalyti ir būti atsargiam, kad nepažeisti: strypo, flanšo (ypatingai instaliavimo paviršiaus), taip pat šešiabriaunio varžto. Sugadinimas išvardintų detalių gali būti pjaunamojo disko sulūžimo priežastimi. Reikia naudoti strypus tik skirtus konkrečiai šiam įrankio medeliui.
6. Prieš pradėdant darbą su įrankiu, patikrinkite ar nėra jokių įtrūkimų ir sužalojimų ant pjaunamojo disko paviršiaus. Negalima naudoti sugadintų ir deformuotų diskų.
7. Reikia naudoti tik tuos pjaunamuosius diskus, kuriuos rekomenduoja gamintojas, atitinkančius EN847-1 reikalavimų normas, taip pat skaldomąjį pleištą ne storesnį kaip pjaunamojo disko pjovimo plotis ir ne siauresnį, kaip pats pjaunamasis diskas.
8. Būtinai naudokite tik tokiuos papildomus reikmenis, kokiuos nurodo ši instrukcija. Naudojant kitus, negu rekomenduojami šioje instrukcijoje, pagalbinis reikmenis tokiuos kaip abrazyvinius diskus, kyla susižalojimo rizika.
9. Parinkite atitinkamą pjovimo diską atitinkamai pjovimo medžiagai.
10. Neleidžiama naudoti diskų iš aukštai legiruoto greitapjovio plieno.
11. Norint, kad pjūklas dirbtų tyliau, naudokite aštrius ir švairius pjaunamuosius diskus.
12. Reikia naudoti tik taisyklingai pagalastus pjaunamuosius diskus. Laikykitės nurodymų ant pjūklo disko, susijusių su maksimaliu greičiu.
13. Negalima pjauti dirbinių iš metalo, tokių kaip vinys ir varžtai. Prieš imantis pjovimo veiksmų, patikrinkite, kad prapjovos vietoje nebūtų vinių, varžtų ir kitų pašalinių objektų.
14. PRIEŠ pradėdant pjovimo veiksmus, išmuškite iš pjaunamojo elemento visas laisvas šakas.
15. Nevalia naudoti pjūklo esant netoliese lengvai degių skysčių ir dujų.
16. Dėl asmeninio saugumo, prieš pajungiant pjūklą į maitinamąjį tinklą ir pradėdant pjauti, nuo darbo vietos ir nuo darbatalio pašalinkite visas drožles, mažas detales ir pan.
17. Įrankio operatorius turi būti apmokytas kaip naudotis įrankiu, reguliuoti jį ir aptarnauti.
18. Paimkite rankas nuo pjaunamosios linijos – asmuo operuojantis pjūklą ir visi pašaliniai privalo laikytis atokiai nuo linijos, kurią pjūklo diskas pjauna. Būkite atsargūs, kad nepaliesi laisvai besisukančio pjaunamojo disko, nes gali sužaloti. Neinkelkite rankų virš pjaunamojo disko.
19. Visą laiką būkite sukaustę dėmesį į tai ką darote, ypatingai kai darbas kartoja ir yra monotoniškas. Būkite visą laiką budrus. Pjaunamieji diskai yra kraštutiniškai neatleidžiami.
20. Prieš įjungiant pjūklą su jungiklio pagalba, patikrinkite ar ritinėlio blokada yra atlaisvinta.
21. Prieš pradėdant pjauti norimą elementą, leiskite trumpam diskui sukstis laisvoje padėtyje. Pasižiūrėkite, ar pjūklas neviruoja ir nedreba, nes šie požymiai gali reikšti, kad pjaunamasis diskas yra blogai išbalansuotas.
22. Prieš pjovimą, palaukite kol pjaunamasis diskas pasieks savo maksimalų greitį.
23. Pjūklo negalima naudoti kalimui, špantų ir griovelių darymui.
24. Kai pjūklas yra įjungtas ir kai pjūklo galvutė nėra poilsio padėtyje, iš pjovimo vietos negalima paimdinėti atraižų, ir jokių kitų pjaunamojo elemento dalių.
25. Jei pastebėsite, kad pjūklas netaisyklingai veikia, iš karto nutraukite darbą.
26. Prieš nuimant pjaunamąją detalę arba keičiant nustatymus, išjunkite pjūklą ir palaukite kol pjūklo diskas visiškai nustos sukstis.
27. Išjunkite pjūklą, kai įrankis nenaudojamas, keičiant diską, ruošiantis atlikti techninę priežiūrą.
28. Kai kurios susidariusios pjovimo metu dulkės, sudėtyje gali turėti vėžį sukeliančių cheminių medžiagų, neštumo praradimą ir kitus panašius sužalojimus. Cheminių substancijų pavyzdžiai:
  - Švinas esantis ant išdažytų dažais medžiagose, kurių sudėtyje yra švino.
  - Arsenas ir chromas esantis chemiškai apdirbtame medyje.Šių cheminių substancijų sukeliamas pavojus priklauso nuo to, kaip dažnai dirbsite su šio pobūdžio medžiagomis. Norint išvengti cheminių medžiagų poveikio, dirbkite gerai vedinamoje patalpoje ir nešiokite apsaugines priemones, tokias kaip respiratorių, kuris filtruoja mikroskopines daleles.

29. Pjovimo metu, pjūklą prijunkite prie įrengimo, kuris surenka dulkes.
30. Apsukite stalą aukštyn kojomis ir su sverto pagalba patikrinkite, ar yra gerai pritvirtintas.

### Įspėjimas

**Aplinkos temperatūros apribojimas: iki 40°C. Nenaudoti žemesnėje nei 0°C temperatūroje. Jeigu elektrinis įrankis laikomas žemesnėje nei 0°C temperatūroje, prieš naudojant jį reikia palaikyti kambario temperatūroje ne trumpiau kaip 1 valandą. Tokiu būdu atšildę apsaugosite jo komponentus ir elektros instaliaciją nuo galimo sugadinimo.**

Pjūklo panaudojimas pjovimo po kampu

31. Pjūklą galima pjauti tik medį, aliuminį ir kitas panašias į juos medžiagas.
32. Pjaunant detalę labai arti pjaunamojo disko, pačių rankų pagalba negalima atlikti jokių darbų.
33. Visų veiksmų metu, pjaunamoji detalė turi būti pritvirtinta prie suklio ir kreipiamosios.
34. Skersinio pjovimo atveju, patikrinkite ar alkūnė yra gerai pritvirtinta. Norint pritvirtinti alkūnę, pasukite svertą į dešinę.
35. Prieš pajungiant pjūklą su jungiklio pagalba, patikrinkite ar pjaunamasis diskas apatinėje dalyje nesiliečia su sukliu ir su ruošiniu.
36. Laikykitės stipriai patroną. Neužmirškite, kad įjungimo ir išjungimo metu, pjūklas nežymiai pasislenka į viršų arba į apačią.

### Pjūklo naudojimas kaip stalo pjūklą.

37. Jokia operacija negali būti atliekama su rankomis. Rankinis darbo atlikimas reiškia, kad vietoj pjūklo kreipiamosios panaudojimo, reikalingos rankos atrėmimui ir kryptingam pjaunamosios detalės vairavimui.
38. Patikrinkite ar pakankamai stipriai pritvirtintas suklys.
39. Patikrinkite ar pakankamai stipriai pritvirtinta alkūnė darbo padėčiai. Norint pritvirtinti alkūnę, pasukite svertą į dešinę.
40. Tam, kad išvengti rankų ar pirštų panaudojimo prie pat pjaunamojo disko, pasinaudokite stumtuvu arba stumiamąjį bloką.
41. Prieš pajungiant pjūklą su jungiklio pagalba, patikrinkite ar pjaunamasis diskas nesiliečia su skečiamuoju pleištu ir su apdirbama detale.
42. Išsaugokite nenaudojama stumtuvą.
43. Ypatinga dėmesį sutelkite į instrukcijoje esančią informaciją susijusia su "ATATRANKA".

"ATATRANKA" yra staigi reakcija dėl įsprausto, užsikirtusio ar blogai nukreipto disko.

"ATATRANKA" sukelia pjūklo nekontroliuojama iššokimą iš ruošinio link naudotojo.

"ATATRANKOS" GALI BŪTI RIMTŲ KŪNO SUŽALOJIMŲ PRIEŽASTIMI. Siekiant išvengti "ATATRANKŲ" pjūklo diskas turi būti visą laiką pagalaštas, išilginė pjūklo kreipiamoji nustatyta lygiagrečiai su pjaunamuoju disku, pritvirtintas skečiamasis pleištas ir apsauginis disko gaubtas, o taip pat turi taisyklingai veikti, nesukeliant be

operatoriaus pagalbos pjaunamos detalės atlaisvinimo prieš išstumiant už pjaunamojo disko ribų ir nepjauti išilgų detalių, kurios yra susisukusios arba iškreiptos, arba neturi lygios briaunos.

44. Venkite staigių, greitų stūmimų. Pjaunant kietas medžiagas atlikite kuo lėtesnius stūmimus. Stūmimo metu, negalima pjaunamosios detalės sukti ir lenkti. Sustojus arba užsiblokavus diskui ruošinyje, nedelsiant išjunkite įrankį. Po to, išjunkite iš maitinimo tinklo ir pašalinkite blokavimo priežastį.
45. Prieš atsukant pjūklą, patikrinkite ar ribojantis smaigelis saugiai užblokavo pjūklo galvutę žemiausioje padėtyje.

### SUDEDAMOSIOS DALYS IR VALDIKLIAI (NUO 1 iki 1C PAV.)

#### STALINIO PJŪKLO DALYS

1.	Prapjovos platinimo peilis
2.	Pjovimo peilio apsaugos tvirtinimo varžtas
3.	Pjovimo peilio apsauga
4.	Pjovimo peilio lenkimo svirties fiksavimo mygtukas
5.	Pjovimo peilio pakėlimo / nuleidimo rankena
6.	Pjovimo peilio pokrypio fiksavimo svirtis
7.	Pjovimo peilio apatinė apsauga
8.	Jungiklis
9.	Maitinimo kabelio laikiklis
10.	Išilginio užtvaro tvirtinimo varžtas
11.	Darbastalio sukimosi fiksavimo svirtis
12.	Darbastalis
13.	Išilginis užtvaras
14.	Pjovimo peilis
15.	Skersinio pjovimo užtvaras
16.	Skersinio pjovimo užtvaro tvirtinimo rankena
17.	Kampinio atmušo fiksavimo rankena
18.	Kampinis atmušas
19.	Ratukas
20.	Stūmiklio laikiklis
21.	Alkūnės fiksavimo rankena
22.	Alkūnė
23.	Reguliuojama kojėlė
24.	Kampinio atmušo griovelis
25.	Pjovimo peilio pokrypio kampinė skalė
26.	Pjovimo peilio pokrypio indikatorius
27.	Supjaustymo užtvaro tvirtinimo rankena



## KAMPINIO PJŪKLO DALYS

28. Galvutės kaištis
29. Stalo sukimosi fiksavimo rankena
30. Užtvaras
31. Diskas
32. Disko kampinė skalė
33. Anglinio šepetėlio dangtelis
34. Kilnojama apsauga
35. Prapjovos platinimo peilio fiksavimo rankena
36. Dulkių maišelis
37. Dulkių ištraukimo anga
38. Stacionari apsauga
39. Kilnojamos apsaugos fiksavimo svirtis
40. Jungiklio užrakto mygtukas
41. Rankena
42. Jungiklis
43. Vertikalus spaustuvo fiksavimo rankena
44. Vertikalus spaustuvas
45. Vertikalus spaustuvo fiksavimo svirtis
46. Galvutės padėties fiksavimo svirtis
47. Ribotuvai
48. Veleno užrakto svirtis

\* Gaminys ir brėžiniai gali skirtis.

### IŠPAKAVIMAS

Atsargiai! Pakuotėje yra aštrių daiktų. Išpakuodami būkite atsargūs. Išimkite iš pakuotės įrankį ir visus jo priedus. Atidžiai patikrinkite ir įsitinkite, kad įrankis geros būklės ir yra visi šioje instrukcijoje išvardyti priedai. Taip pat įsitinkite, kad visi priedai yra sukomplektuoti. Jeigu kurios nors dalies trūksta, įrankis kartu su priedais turi būti grąžintas originalioje pakuotėje pardavėjui.

Neišmeskite pakuotės, laikykite ją saugiai visą garantinio laikotarpio trukmę, po to, jei įmanoma, atiduokite perdirbti arba išmeskite tinkamu būdu. Neleiskite vaikams žaisti su tuščiais plastikiniais maišeliais, nes kyla pavojus uždusti.

### SURINKIMAS

Pastaba: prieš pradėdami įrankio surinkimo ar išardymo darbus įsitinkite, kad jis atjungtas nuo maitinimo įtampos.

**ATSARGIAI:** grindų plotas aplink įrankį turi būti lygus ir išvalytas nuo pašalinių medžiagų, tokių kaip skiedros ir atpjovos.

### SUKAMOJO PJŪKLO SURINKIMAS (A PAV.)

Šiek tiek pakreipkite pjūklą į šoną. Varžtais ir alkūnės fiksavimo rankenomis (21) (pridėtos) pritvirtinkite alkūnes (22) prie pagrindo.

Nustatykite reguliuojamą kojelę (23) taip, kad sukamasis pjūklas stovėtų tvirtai.

### DULKIŲ IŠTRAUKIMAS (B PAV.)

Norėdami užmontuoti dulkių maišelį (36), tvirtai užstumkite jį ant dulkių ištraukimo angos (37) (dirbant įžambaus pjūklo režime). Norėdami ištuštinti dulkių maišelį (36), išimkite jį iš dulkių ištraukimo angos (37) ir atidarykite užtrauktuką, per kurį patenkama į maišelio vidų. Jei reikalingas efektyvesnis dulkių ištraukimas, ypač dirbant sveikatai pavojingų kancerogeninių dulkių aplinkoje, pritvirtinkite siurblio žarną tiesiai prie dulkių ištraukimo angos (37) (dirbant stalinio pjūklo režime) ar pjovimo peilio apatinės apsaugos (7) angos (dirbant įžambaus pjūklo režime).

Pastaba: dulkių maišelį ištuštinkite reguliariai. Siekiant užtikrinti optimalų dulkių ištraukimą, maišelį rekomenduojama ištuštinti pripildžius 2/3 jo tūrio.

### PJOVIMO PEILIO APATINĖS APSAUGOS MONTAVIMAS (C PAV.)

Dirbant įžambaus pjūklo režime, pjovimo peilio apatinė apsauga turi uždengti pjovimo peilio apatinę dalį.

Užmontuokite pjovimo peilio apatinę apsaugą (7) ir pritvirtinkite varžtais:

Prieš pereidami į stalinio pjūklo režimą, nuimkite pjovimo peilio apatinę apsaugą (7).

### TRANSPORTAVIMAS (D IR E PAV.)

Prieš perkeldami įrankį atlikite šiuos veiksmus:

Nustatykite įrankį į stalinio pjūklo režimą.

Nuimkite išilginį užtvarą (13) ir kampinį atmušą (14).

Užmontuokite pjovimo peilio apsaugą (7).

Šiek tiek pakreipkite pjūklą į šoną.

Atlaisvinkite alkūnės fiksavimo rankenas (21) prie ratukų (19), pasukite alkūnes (22) į vidų 90° (išilgai pjūklo) ir užfiksokite šioje padėtyje alkūnės fiksavimo rankenomis (21).

Tą patį padarykite ir su antrąja alkūnių (22) pora, pasukite jas 90° į įrankio išorę (D pav.).

Pasukite pjūklą taip, kad jis stovėtų ant ratukų, abiem rankomis prilaikykite alkūnes (22) ir nuridenkite pjūklą į kitą vietą (E pav.).

Norėdami iš naujo surinkti įrankį stalinio arba įžambaus pjūklo režimui, aukščiau nurodytus veiksmus atlikite atvirkštine tvarka.

### MAITINIMO KABELIO LAIKIKLIŲ MONTAVIMAS

Komplekte esančiais varžtais pritvirtinkite maitinimo kabelio laikiklius (9). Maitinimo kabelio laikiklių padėtis parodyta 1 pav.



## STŪMIKLIO LAIKIKLIŲ MONTAVIMAS

Komplekte esančiais varžtais pritvirtinkite stūmiklio laikiklius (20). Maitinimo kabelio laikiklių padėtis parodyta 1A pav.

## DARBO PROCESAS IR NUSTATYMAI

Prieš pradėdami reguliavimą įsitikinkite, kad pjūklas atjungtas nuo maitinimo tinklo. Siekiant užtikrinti saugų, tikslų ir efektyvų pjūklo veikimą, būtina atlikti visas čia aprašomas reguliavimo procedūras.

Baigę nustatymo ir reguliavimo procedūras įsitikinkite, kad surinkote visus reguliavimo raktus. Patikrinkite visų jungiamųjų elementų įrengimą.

Atlikdami reguliavimą įsitikinkite, kad visos išorinės dalys dirba tinkamai ir atitinka visas tinkamo veikimo sąlygas. Prieš pradėdami naudotis pjūklą, kvalifikuotas personalas privalo pakeisti susidėvėjusias arba pažeistas dalis.

## PJOVIMO REKOMENDACIJOS

Po kiekvieno reguliavimo rekomenduojama atlikti bandomąjį pjovimą siekiant įsitikinti, kad nauji nustatymai yra teisingi, bei patikrinti matmenis.

Įjungę pjūklą ir prieš pradėdami pjauti palaukite, kol pjovimo peilis pasieks didžiausią sukimosi greitį.

Ilgus daiktus pritvirtinkite taip, kad po pjovimo jie nenukristų (galite naudoti pvz., atraminį ritinėlį).

Pradėję pjovimą būkite itin atsargūs!

Pjaudami panaudotą medieną įsitikinkite, kad joje neliko nereikalingų objektų, tokių kaip vinys, varžtai ir pan.

Prieš nuimdami nupjautas dalis palaukite, kol pjovimo peilis visiškai sustos.

Pjaunamą medžiagą visada laikykite už pagrindinės dalies. Niekada nelaikykite už pjaunamos dalies.

## STALINIO PJŪKLO REŽIMAS

### PRAPJOVOS PLATINIMO PEILIO NUSTATYMAS (F PAV.)

Nustatykite darbatalį (12) į įžambaus pjūklo režimą.

Įdėkite ašmenis į skersinio pjovimo 0° padėtį.

Ištraukę galvutės kaištį (28) iš fiksavimo angos nustatykite įžambų pjūklą į aukščiausią padėtį. Pasukite galvutės kaištį 90°, kol atsistos į atvirą padėtį.

Atlaisvinkite prapjovos platinimo peilio fiksavimo rankeną (35) ir pasukite prapjovos platinimo peilį (1) į tokią padėtį, kad uždengtų pjovimo peilį (14), įvorės atsikišimai turi sutapti su nukreipimo grioveliais. Norėdami, kad prapjovos platinimo peilis (1) atsistotų į tinkamą padėtį, nuimkite peilio apsaugą. Norėdami nuimti peilio apsaugą, paspauskite kilnojamos apsaugos fiksavimo svirtį (39). Traukdami peilio apsaugą būkite atsargūs, kadangi aštrus peilis gali sužeisti.

Užveržkite prapjovos platinimo peilio fiksavimo rankeną (35).

Nuleiskite pjūklo viršutinę dalį iki žemiausios padėties ir pasukite pjovimo peilio pakėlimo / nuleidimo rankeną (5), kol galvutės kaištis (28) pateks į fiksavimo angą.

Patraukite darbatalio sukimosi fiksavimo svirtį (11) ir pasukite darbatalį (12) į stalinio pjūklo režimo padėtį.

Pastaba: nustatykite prapjovos platinimo peilį (1) taip, kad atstumas tarp pjovimo peilio (4) ir prapjovos platinimo peilio būtų

3-5 mm (prapjovos platinimo peilis turi būti nustatytas lygiai su pjovimo peiliu), G pav. Tikrinkite prapjovos platinimo peilio padėtį po kiekvieno pjovimo peilio keitimo.

### PJOVIMO PEILIO APSAUGOS MONTAVIMAS (H PAV.)

Įstumkite pjovimo peilio apsaugos tvirtinimo varžtą (2) mygtuką ir uždėkite pjovimo peilio apsaugą (3) ant prapjovos platinimo peilio (1).

Pjovimo peilio apsaugą galite nuimti atlikę aukščiau nurodytus veiksmus atvirkštine tvarka.

Pastaba: pjovimo peilį pritvirtinkite taip, kad stumiant pjaunamą medžiagą jis pakiltų ir baigus pjovimą medžiagą laisvai nukristų.

### IŠILGINIO UŽTVARO MONTAVIMAS (I PAV.)

Išilginį užtvaramą galima montuoti ant darbatalio, iš bet kurios pjovimo peilio apsaugos pusės.

Įstumkite išilginio užtvaro (13) fiksatorių į darbatalio (12) nukreipiamąją angą.

Nustatykite išilginį užtvaramą (13) į reikiamą padėtį (naudokite skalę) ir užfiksukite išilginio užtvaro tvirtinimo rankena (27).

Tada rekomenduojama atlikti bandomąjį pjovimą, išmatuoti ir, jei reikia, iš naujo sureguliuoti išilginį užtvaramą.

Norėdami išvengti pjaunamos medžiagos įstrigimo, galite atlaisvinti išilginio užtvaro tvirtinimo varžtą (10) ir stumtelėti užtvaramą išilgai (13) (I pav.).

Pastaba: montuodami išilginį užtvaramą priešingoje darbatalio pusėje, perkeltkite užtvaro tvirtinimą.

### ĮJUNGIMAS IR IŠJUNGIMAS (J PAV.)

Maitinimo tinklo įtampa turi sutapti su pjūklo techninių duomenų lentelėje nurodyta įtampa.

Įjungti pjūklą galima tik tada, kai pjaunama medžiaga yra toliau nuo pjovimo peilio.

Įjungimas – paspauskite jungiklio (8) mygtuką I.

Išjungimas – paspauskite jungiklio (8) mygtuką O.

## **PJOVIMO GYLIO REGULIAVIMAS**

Norėdami padidinti arba sumažinti pjovimo gylį, pasukite pjovimo peilio pakėlimo / nuleidimo rankeną (5) prieš arba pagal laikrodžio rodyklę.

Pastaba: pjūklas turi būti nustatytas taip, kad pjovimo peilio aukščiausias taškas būtų virš pjaunamos medžiagos paviršiaus.

## **NUOŽULNUS PJOVIMAS (K PAV.)**

Atlikdami nuožulnų pjovimą visada naudokite išilginį užtvaramą.

Atlaisvinkite fiksavimo svirtį, kad pakreiptumėte pjovimo peilį (6). (Kad būtų paprasčiau, galite nuspausti pjovimo peilio pokrypio svirties fiksavimo mygtuką (4) ir pakeisti pjovimo peilio pokrypio fiksavimo svirties (6) padėtį).

Nustatykite pjovimo peilį (14) iki maksimalaus pjovimo gylio.

Norėdami gauti reikiamą kampą, kurį rodo pjovimo peilio pokrypio kampinės skalės (25) indikatorius (26), keiskite pjovimo peilio (14) padėtį.

Užveržkite fiksavimo svirtį, kad pakreiptumėte pjovimo peilį (6).

Nustatykite išilginį užtvaramą (13) iki reikiamo pjovimo pločio.

Ijunkite pjūklą ir pjaukite.

## **IŽAMBUS PJOVIMAS KAMPINIŲ ATMUŠŲ (L PAV.)**

Kampinį atmušą galite montuoti vienoje ir dviejų darbatalio nukreipiamųjų angų, esančių abiejose pusėse.

Nuimkite išilginį užtvaramą (13) nuo darbatalio viršaus (12).

Įdėkite kampinį atmušą (18) į vieną iš kampinio atmušo angų (24).

Naudodami skersinio pjovimo užtvaramą tvirtinimo rankeną (16) pritvirtinkite užtvaramą (15) prie kampinio atmušo (18), nustatykite reikiamą pjovimo kampą ir pritvirtinkite kampinio atmušo fiksavimo rankeną (17) (L pav.).

Lenkdami nuožulniam pjovimui reikalingą pjovimo peilį nustatykite skersinio pjovimo užtvaramą (15) taip, kad jis nesiliestų su pjovimo peiliu (kad būtų įmanoma judinti skersinio pjovimo užtvaramą).

Prieš įjungdami pjūklą pastumkite kampinį atmušą (18) link pjovimo peilio ir įsitinkinkite, kad skersinio pjovimo užtvaramas (15) yra apytiksliai 2cm atstumu nuo pjovimo peilio.

Stumkite pjaunamą medžiagą link skersinio pjovimo užtvaramo (15).

Ijunkite pjūklą ir slinkite kampinį atmušą su skersinio pjovimo užtvaramu bei pjaunamą medžiagą link pjovimo peilio.

Pastaba: pjaunamą medžiagą visada stumkite pakankamai toli, kad užbaigtumėte pjovimą.

Pjaudami išilgai nenaudokite išilginio užtvaramo kaip pjaunamos detalės ilgio ribotuvo, kadangi ši dalis gali užstrigti tarp supjaustymo užtvaramo ir pjovimo peilio bei sukelti atatrunkos efektą.

## **SUPJAUSTYMAS**

Supjaustymas – tai viso medžiagos ilgio pjaustymas į norimo pločio detales.

Nustatykite išilginį užtvaramą (13) iki reikiamo pjovimo pločio.

Ijunkite pjūklą ir palaukite, kol pjovimo peilis pasieks didžiausią sukimosi greitį.

Spausdami medžiagą prie išilginio užtvaramo (13) stumkite link pjovimo peilio iki pat prapjovos platinimo peilio (1) galo (artėdami prie pjovimo peilio naudokite stūmiklį).

Palikite supjaustytą medžiagą ant darbatalio, kol pjovimo peilis visiškai sustos.

Pastaba: po kiekvieno reguliavimo atlikite bandomąjį pjovimą, kad įsitikintumėte, jog nauji nustatymai teisingi. Pjaudami stovėkite iš pjovimo linijos šono.

## **MAŽŲ DAIKTŲ PJOVIMAS**

Nustatykite išilginį užtvaramą (13) iki reikiamo pjovimo pločio.

Medžiagą stumkite abiem rankomis. Artėdami prie pjovimo peilio ir norėdami pastumti medžiagą link išilginio užtvaramo (13), naudokite stūmiklį (pridėtas), kitais atvejais galite naudoti bet kokią medienos atraižą.

Pjaunamą medžiagą visada stumkite iki prapjovos platinimo peilio (1) galo.

Pastaba: pjaudami trumpus arba siaurus daiktus, iš pradžių naudokite stūmiklį.

## **IŽAMBAUS PJŪKLO REŽIMAS**

Jei įrankis nebuvo naudojamas arba buvo naudojamas stalinio pjūklo režime, nuleisti pjovimo pjūklą iki žemiausios padėties galite pjovimo peilio pakėlimo / nuleidimo rankena.

## **MONTAVIMAS (M PAV.)**

Nuimkite pjovimo peilio apsaugą (3).

Laikydami už pjovimo peilio pakėlimo / nuleidimo rankenos (5) nuleiskite pjovimo peilį (14) iki žemiausios padėties.

Nuimkite išilginį užtvaramą (13) ir kampinį atmušą (18).

Užmontuokite pjovimo peilio apsaugą (7).

Ištraukite darbatalio sukimosi fiksavimo svirtį (11) ir pasukite darbatalį (12) 180°, kol išgirsite, kaip fiksavimo svirtis (11) užsifiksuoja (M pav.).

Atlaisvinkite prapjovos platinimo peilio fiksavimo rankeną (35) ir pasukite prapjovos platinimo peilį (1) į tokią padėtį, kad atidengtų pjovimo peilį (14), įvorės atsikišimai turi sutapti su nukreipimo grioveliais.

Užveržkite prapjovos platinimo peilio fiksavimo rankeną (35).

### **PJŪKLO PETIES NAUDOJIMAS (N PAV.)**

Yra dvi pjūklo peties padėtys – viršutinė ir apatinė. Norėdami atleisti galvutę nuo apatinės fiksavimo padėties, atlikite šiuos veiksmus:

Lengvai nuspauskite ir laikykite pjūklo petį.

Ištraukite galvutės kaištį (28), kad apsauginis varžtas išslystų iš fiksavimo angos.

Tada 90° pasukite galvutės kaištį (28) ir užfiksuokite šioje padėtyje (N pav.).

Prilaikykite pjūklo petį, kol pakils į viršutinę padėtį.

Atleidę kilnojamos apsaugos fiksavimo svirtį (39) pjūklo petį žemesnėje padėtyje galite užfiksuoti atvirkštine tvarka atlikę atblokovimo procedūrą.

### **VERTIKALIAUS SPAUSTUVO MONTAVIMAS (O PAV.)**

Vertikalų spaustuvą galima montuoti bet kurioje darbatalio pusėje, jis reguliuojamas pagal pjaunamos medžiagos dydį.

Užmontuokite vertikalų spaustuvą (44) ant vienos iš darbatalio angų.

Užveržkite vertikalaus spaustuvo fiksavimo rankeną (43).

Sukite srieginį strypą, kol vertikalus spaustuvas (44) susilygins su pjaunama medžiaga.

Užfiksuokite spausdami vertikalaus spaustuvo fiksavimo svirtį (45) (O pav.).

Pastaba: pjaunamą medžiagą visada užfiksuokite vietoje, kad užtikrintumėte darbo saugumą. Nepjaukite daiktų, kurie per maži, kad užsifikuotų.

### **PJOVIMO GYLIO REGULIAVIMAS (N IR P PAV.)**

Prieš darbo pradžią būtina patikrinti maksimalų pjovimo gylį, kad įsitikintumėte, jog pjovimo peilis nesiliečia prie sukamojo pjūklo pagrindo.

Nustatykite diską (31) ir pjūklo petį 0° padėtyje.

Pakeiskite ribotuvo (47) padėtį taip, kad jis atsistotų ties reguliavimo varžtu (a) (N pav.).

Nuleiskite pjūklo petį ir laikykite prispaustą prie stabdymo grotelių.

Ranka pasukite pjovimo peilį (14) ir įsitikinkite, kad jis juda laisvai.

Tinkamas pilno pjovimo gylio suregulavimas leidžia pjovimo peiliui (14) įsiskverbti 5 mm žemiau disko (31) viršutinio paviršiaus (P pav.).

Jei nustatymas neteisingas, sukite reguliavimo varžtą (a) (N pav.) prieš arba pagal laikrodžio rodyklę, kol pjovimo peilio įsiskverbimo gylis bus tinkamas.

### **IJUNGIMAS IR IŠJUNGIMAS (R PAV.)**

Maitinimo tinklo įtampa turi sutapti su pjūklo techninių duomenų lentelėje nurodyta įtampa.

Pjūklą įjunkite tik tada, kai pjaunama medžiaga yra pakankamai toli nuo pjovimo peilio.

Įžambus pjūklas turi jungiklio užrakto mygtuką (40), kuris apsaugo nuo netyčinio paleidimo.

### **IJUNGIMAS**

Paspauskite jungiklio užrakto mygtuką (40).

Paspauskite ir laikykite jungiklio mygtuką (42) (R pav.).

### **IŠJUNGIMAS**

Atleiskite jungiklio mygtuką (42).

Pastaba: įžambaus pjūklo režime jungiklis (8) neveikia.

### **MEDŽIAGOS PJOVIMAS SIAUROMIS DALIMIS**

Toks pjovimas paprastai naudojamas siauroms medžiagos dalims. Prieš pradėdami įsitikinkite, kad stalo sukimosi fiksavimo rankena (29) ir pjovimo peilio pokrypio fiksavimo svirtis (6) tinkamai užveržti.

Atsižvelgdami į medžiagos dydį, pritvirtinkite ją prie darbatalio.

Nustatykite norimą pjovimo kampą.

Atblokuokite pjūklo petį ir pjovimo peilio apsaugą.

Paspauskite jungiklio mygtuką (8) (palaukite, kol pjovimo peilis pasieks didžiausią sukimosi greitį).

Laikykite už rankenos (41) ir iš lėto leiskite. Pjaukite lengvai stumdami.

Išjunkite pjūklą ir palaukite, kol pjovimo peilis visiškai sustos.

Iš lėto pakelkite pjūklo petį.

Pavojus! Dėl nepakankamai užveržtos stalo sukimosi fiksavimo rankenos pjovimo peilis gali netikėtai pajudėti link viršutinio medžiagos paviršiaus. Operatoriui kyla pavojus gauti smūgį nuo medžiagos dalies.

### **DARBATALIO NUSTATYMAS ĮŽAMBIAM PJOVIMUI (S PAV.)**

Diskas (31) leidžia pjauti medžiagą 45° diapazone bet kuriuo kampu iš kairės ar dešinės pusės nuo statmenos padėties.

Ištraukite ir pasukite galvutės kaištį (28), leiskite pjūklo peičiui sava eiga pakilti iki viršutinės padėties.

Atlaisvinkite darbatalio sukimosi fiksavimo rankeną (29).

Nustatykite diską (31) norimu kampu pagal disko kampinę skalę (32) (S pav.).

Užfiksuokite užveržę darbatalio sukimosi fiksavimo rankeną (29).

Diske (31) yra daug griovelių, kuriais naudojantis galima lengvai nustatyti dažniausiai naudojamus kampus. Dažniausiai naudojami pjovimo kampai: 0°, 15°, 22.5°, 30°, 45° iš kairės ir dešinės. Naudojant disko kampinę skalę (32) galima laipsnio tikslumu nustatyti norimą pjovimo kampą.

Daugeliui užduočių ši skalė yra labai tiksli, tačiau pjovimo kampą rekomenduojama papildomai patikrinti matlankiu arba kitu kampų matavimo įrankiu.

Pastaba: naudodami standartinį kampo nustatymo būdą aiškiai išgirsite, kaip spragtelės į griovelį pataikiusi strektė.

### **PJŪKLO PETIES (GALVUTĖS) NUSTATYMAS NUOŽULNIAM PJOVIMUI (T PAV. IR U PAV.)**

Pjūklo petį nuožulniam pjovimui galima pakreipti bet kuriuo kampu 0° – 45° diapazone (T pav.).

Patraukite galvutės kaištį (28), kuris atlaisvina pjūklo petį ir leidžia jam sava eiga pakilti į viršutinę padėtį.

Atlaisvinkite fiksavimo svirtį, kad pakreiptumėte pjovimo peilį (6).

Palenkite pjovimo petį norimu kampu kairėn, kad matytumėte pjovimo peilio lenkimo kampinę skalę (25) (U pav.).

Užveržkite fiksavimo svirtį, kad pakreiptumėte pjovimo peilį (6).

Pastaba: jei reikalingi abu kampai (abiejose plokštumose, horizontaliai ir vertikaliai) mišinio pjovimui, visada iš pradžių nustatykite nuožulnųjį kampą.

### **PJOVIMO PEILIO IR DARBASTALIO STATMENOS PADĖTIES TIKRINIMAS IR REGULIAVIMAS (U PAV. IR W PAV.)**

Norėdami užtikrinti tikslų pjovimą, reguliariai tikrinkite pjūklo pagrindinius sąrankos parametrus ir atsiradus poreikiui sureguliuokite iš naujo.

Atlaisvinkite fiksavimo svirtį, kad pakreiptumėte pjovimo peilį (6).

Nustatykite galvutę į tolimiausią dešinę padėtį (statmeną diskui) ir užveržkite pjovimo peilio lenkimo fiksavimo svirtį (6) (U pav.).

Atlaisvinkite darbastalio sukimosi fiksavimo rankeną (29).

Nustatykite diską (31) į 0° padėtį ir užveržkite stalo sukimosi fiksavimo rankeną (29).

Nuspauskite kilnojamos apsaugos fiksavimo svirtį (39) ir nuleiskite pjūklo galvutę iki tolimiausios apatinės padėties.

Pjovimo peilio ir disko (31) statmenumui patikrinti naudokite atitinkamą įrankį.

Pastaba: atlikdami matavimus įsitikinkite, kad matavimo įrankis nesiliečia su pjovimo peilio dantukais, priešingu atveju matavimus gali būti netikslius.

Jei matavimo kampas nėra 90°, būtina atlikti reguliavimo procedūrą:

Šiek tiek pakreipkite pjūklo galvutę kairėn.

Norėdami padidinti arba sumažinti pjovimo peilio pokrypio kampą, pasukite reguliavimo varžtą (b) (U

pav.) prieš arba pagal laikrodžio rodyklę.

Nustatę pjovimo peilį ir darbastalį į statmeną padėtį, leiskite galvutei laisva eiga grįžti į viršutinę padėtį.

Sukdami priešingoje pjūklo peties pusėje esantį reguliavimo varžtą (c) (W pav.), tapaciai sureguliuokite 45° galvutės nuožulnųjį kampą.

### **TECHNINĖ PRIEŽIŪRA**

Pastaba: prieš pradėdami įrankio techninės priežiūros darbus įsitikinkite, kad jis atjungtas nuo maitinimo įtampos.

### **VALYMAS**

Baigę darbą išvalykite nuo darbastalio ir sritį aplink pjovimo peilį ir jo apsaugą visus supjaustytos medžiagos likučius, pjuvenas ir dulkes.

Pjūklą valykite šepetėliu arba suslėgto oro srove.

Pjūklo valymui niekada nenaudokite vandens ar kitų cheminių skysčių.

Reguliariai valykite ventiliacijos angas, kad išvengtumėte variklio perkaitimo.

Pjūklą saugokite sausoje ir vaikams nepasiekiamoje vietoje.

Siekiant išlaikyti gaminio SAUGUMĄ ir PATIKIMUMĄ, remontą, bet kokius techninės priežiūros ar reguliavimo darbus gali atlikti tik įgalioto techninės priežiūros centro personalas, naudodamas originalias dalis.

Reguliariai tikrinkite visų sraigtų ir tvirtinimo varžtų užveržimą. Po tam tikro eksploatacijos laiko jie gali išsklibti.

### **PJOVIMO PEILIO PAKEITIMAS (X PAV.)**

Pakeiskite pjovimo peilį, kai įrankis nustatytas į įžambaus pjūklo režimą.

Norėdami atblokuoti pjūklo petį, patraukite už galvutės kaiščio (28).

Leiskite pjūklo pečiui sava eiga grįžti į viršutinę padėtį.

Nuspauskite ir laikykite kilnojamos apsaugos fiksavimo svirtį (39).

Pakelkite kilnojamą apsaugą (34) prieigai prie pjovimo peilio (14) tvirtinimo varžto.

Nuspauskite ir laikykite veleno užrakto svirtį (48) (norint pasukti pjovimo peilį gali prireikti užfiksuoti veleną).

Komplekte esančiu šešiakampiu raktu atsukite pjovimo peilio tvirtinimo varžtą (14). Sukite pagal laikrodžio rodyklę (X pav.)

Atleiskite veleno užrakto svirtį (48) ir išsukite varžtus, kurie tvirtina pjovimo peilį prie išorinio lanko.

Prieš montavimą išvalykite visas dalis.

Užmontuokite pjovimo peilį ant vidinio lanko.



Uždėkite naują pjovimo peilį taip, kad peilio dantukai ir rodyklė sutaptų su stacionarios apsaugos (38) rodyklės kryptimi.

Uždėkite išorinį lanką, nuspaužę ir laikydami veleno užrakto svirtį prieš laikrodžio rodyklę užsukite pjovimo peilio tvirtinimo varžtus.

Atleiskite kilnojamą apsaugą (34) iki numatytosios padėties (apsauga turi pilnai uždengti pjovimo peilį).

Įsitikinkite, kad kilnojama apsauga (34) yra teisingoje padėtyje ir pakeliant bei nuleidžiant pjūklo petį gali laisvai judėti.

Pastaba: stebėkite, kad pjovimo peilis suktųsi tinkamą kryptimi (žr. rodyklės kryptį ant pjovimo peilio ir stacionarios apsaugos). Pakeitę pjovimo peilį įsitikinkite, kad ranka sukamas peilis laisvai juda.

#### **ANGLINIŲ ŠEPETĖLIŲ KEITIMAS (Y PAV. IR Z PAV.)**

Nedelsiant pakeiskite susidėvėjusius (trumpesnius nei 5 mm), sudėgusius ar įskilusius variklio anglinius šepetėlius. Vienu metu keiskite abu anglinius šepetėlius.

Pakeiskite anglinius šepetėlius, kai įrankis nustatytas į įžambaus pjūklo režimą.

Atsukite anglinių šepetėlių dangtelius (33) (Y pav.).

Nuimkite panaudotus anglinius šepetėlius.

Suslėgto oro srove pašalinkite visas anglies dulkes.

Įstatykite naujus anglinius šepetėlius (jie turėtų lengvai įsidėti į šepetėlių laikiklius (Z pav.).

Prisukite anglinių šepetėlių apsaugas (33).

Pastaba: pakeitę anglinius šepetėlius įjunkite pjūklą be jokio apkrovos ir palaukite, kol angliniai šepetėliai prisitvirtins prie variklio perjungiklio. Rekomenduojama, kad anglinio šepetėlio pakeitimą atliktų tik kvalifikuotas asmuo. Naudokite tik originalias dalis.

#### **TECHNINIAI DUOMENYS**

Pjaunamojo disko skersmuo	254 mm
Galingumas	1.800 W
Angos skersmuo	30 mm
Laisvos eigos greitis	4.200 min <sup>-1</sup>
Svoris	32 Kg
Saugumo klasė	II
Triukšmo lygis	91,9 dB (A)
Akustinio galingumo lygis	104,9 dB (A)
Vibracija:	1,729 m/s <sup>2</sup> , K=1,5 m/s <sup>2</sup>

#### **Maksimalus įžambinio pjūklo įpjovos gylis**

90° x 90° 65 x 155 mm

90° x 45° 65 x 105 mm

45° x 90° 40 x 155 mm

45° x 45° 40 x 105 mm

#### **Maksimalus stalo pjūklo įpjovos gylis**

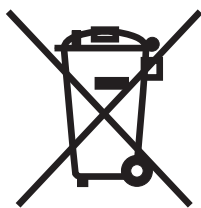
90° 70 mm

45° 50 mm

#### **APLINKOSAUGA**

Informacija dėl elektros ir elektronikos prietaisų utilizavimo apsaugant aplinką nuo kenksmingų veiksnių (WEEE direktyva).

Šis simbolis matomas ant produkto arba jį lydinčios dokumentacijos nurodo, kad panaudoti ir nebeeksploatuojami elektriniai ir elektroniniai prietaisai neturi būti išmetami kartu su buitinėmis atliekomis. Siekiant tinkamai utilizuoti,



pakeisti, atstatyti arba perdirbti elektros prietaisus, juos būtina pristatyti į specialius surinkimo punktus, kur jie priimami nemokamai. Tam tikrose šalyse, tokius prietaisus galima grąžinti prietaisų pardavusiai kompanijai, jei įsigyjamas analogiškas naujas prietaisas. Tinkamas elektros prietaisų utilizavimas padeda išsaugoti vertingus resursus ir apsaugo žmonių sveikatą ir aplinką nuo bet kokios potencialios neigiamos įtakos, kuri gali atsirasti jei prietaisas bus netinkamai naudojamas arba utilizuojamas. Prašome susisiekti su vietiniais specialistais, kurie jums nurodys artimiausio specialiojo surinkimo punkto koordinatas. Už netinkamą ir šalyje galiojančių taisyklių neatitinkantį elektros prietaisų utilizavimą taikomos nuobaudos.

#### **KLIENTAMS EUROPOS SĄJUNGOS RIBOSE.**

Jei pageidaujate išmesti elektrinę arba elektroninę įrangą, prašome susisiekti su mūsų įrangos platintojais ar tiekėjais dėl platesnės informacijos.

#### **Informacija dėl įrangos utilizavimo šalyse, nepriklausančiose Europos Sąjungai.**

Šis simbolis galioja tik Europos Sąjungos šalių ribose.

Jei pageidaujate atsikratyti šio prietaiso, prašome susisiekti su vietinėmis institucijomis arba prekių pardavimo kompanija ir sužinoti legalų prietaiso utilizavimo būdą.



## Simboliai

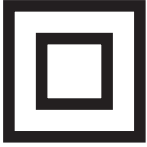
Vardinėje prietaiso lentelėje gali būti nurodyti tam tikri simboliai. Jie gali reikšti svarbią informaciją susijusią su prietaisu ar jo naudojimu.



Dėvėkite ausų apsaugą.

Dėvėkite akių apsaugą.

Dėvėkite kvėpavimo takų apsaugą.



Dviguba izoliacija papildomai apsaugai.



Atitinka galiojančius saugumo reikalavimus.



Perskaitykite naudojimo instrukcijas.



NELIESKITE judančių ašmenų



NEIKITE prie agregato, dėvėdami laisvus drabužius



Nenaudojami elektros prietaisai neturi būti išmetami kartu su buitėmis atliekomis. Prašome priduoti prietaisą į specialų surinkimo punktą. Jei kyla abejonių, pasitarkite su vietiniais specialistais arba prietaisą pardavusia kompanija dėl prietaiso utilizavimo.



Produktas atitinka RoHs reikalavimus.



NENUJIMINĖKITE apsauginių dalių ir prietaisų, kai agregatas yra įjungtas



NEVALYKITE, netepkite ir netaisykite judančių dalių



Pavojingų skeveldrų išmetimas

# EU DECLARATION OF CONFORMITY

1. **Toote mudel • Izstrādājuma modelis • Gaminio modelis:** FXA92502

2. **Tootja või tema volitatud esindaja nimi ja aadress:**

**Ražotāja vai tā pilnvarotā pārstāvja vārds / nosaukums un adrese:**

**Gamintojo arba jo įgalioto atstovo pavadinimas ir adresas:**

NAP BRANDS LTD. Napier House, Unit 7, Corunna Court, Warwick, United Kingdom CV34 5HQ

Tel: +44(0)1926 482880. Email: sales@napbrands.co.uk

3. **Kāesolev vastavusdeklaratsioon on välja antud tootja ainuvastutusel.**

**Šī atbilstības deklarācija ir izdota vienīgi uz šāda ražotāja atbildību:**

**Visa atsakomybė už šią atitikties deklaraciją tenka gamintojui.**

4. **Deklareeritav toode • Deklarācijas priekšmets • Deklarācijas dalykas**

Seadmed • Aprīkojums • Įranga: Flip Over Saw

Kaubamārk • Zīmola nosaukums • Prekių ženklas: FXA

Mudel/tūüp • Modelis / tips • Modelis ir (arba) tipas: FXAJD92502

5. **Eelkirjeldatud deklareeritav toode on kooskõlas asjaomaste liidu ühtlustamisaktidega:**

**Iepriekš aprakstītais deklarācijas priekšmets atbilst attiecīgajiem Savienības saskaņotajiem tiesību aktiem:**

**Šios deklarācijas dalykas yra atitiktis atitinkamiems Sąjungos derinamiesiems teisės aktams:**

2006/42/EC, 2014/35/EU, 2014/30/EU, 2011/65/EU

6. **Viited asjaomastele kasutatud harmoneeritud standarditele või viited muudele tehnilistele spetsifikatsioonidele, millele vastavust deklareeritakse:**

**Atsauces uz attiecīgajiem saskaņotajiem standartiem vai atsauces uz citām tehniskajām specifikācijām, saistībā ar kurām ir deklarēta atbilstība:**

**Nuorodos į atitinkamus taikomus derinamuosius standartus arba nuorodos į kitas technines specifikacijas, kurių atžvilgiu deklaruojama atitiktis:**

EN61029-1; EN61029-2-11; EN55014-1; EN55014-2; EN61000-3-2; EN61000-3-11

7. **Tehnilise dokumentatsiooni koostamiseks volitatud isik • Persona, kura pilnvarota sastādīt tehnisko lietu**  
**Techninė bylą parengti įgaliotas asmuo**

**Nimi • Vārds / nosaukums • Pavadinimas:** Robert Redfern

**Aadress • Adrese • Adresas:** Nap Brands Ltd. Napier House, Unit 7, Corunna Court, Warwick, UK CV34 5HQ

**Alla kirjutatud (kelle poolt ja nimel) • Parakstīts šādas personas vārdā • Už ką ir kieno vardu pasirašoma**

Volitatud esindaja • Pilnvarotais pārstāvis • Įgaliotas atstovas



Robert Redfern, Technical Manager

29/03/2019

# EU DECLARATION OF CONFORMITY

1. **Product model • Tuotteen malli • Produktmodell • Produktmodell:** FXA92502

2. **Name and address of the manufacturer or his authorised representative:**

**Valmistajan tai valtuutetun edustajan nimi ja osoite:**

**Tillverkarens eller dess auktoriserade representants namn och adress:**

**Navn og adresse til produsenten eller dennes autoriserte representant:**

NAP BRANDS LTD. Napier House, Unit 7, Corunna Court, Warwick, United Kingdom CV34 5HQ

Tel: +44(0)1926 482880. Email: sales@napbrands.co.uk

3. **This declaration of conformity is issued under the sole responsibility of the manufacturer.**

**Tämä vaatimustenmukaisuusvakuutus on julkaistu yksinomaan valmistajan vastuulla.**

**Denna deklaration om överensstämmelse utfärdas på eget ansvar av tillverkaren.**

**Produsenten står fullt og helt ansvarlig for denne samsvarserklæringen.**

4. **Object of the declaration • Vakuutuksen kohde • Målet med deklarationen • Erklæringen gjelder**

Equipment • Laite • Utrustning • Utstyr: Flip Over Saw

Brand name • Tuotemerkki • Namn på varumärke • Merkenavn: FXA

Model/type • Malli/tyyppi • Modell/typ • Modell/type: FXA92502

5. **The object of the declaration described above is in conformity with the relevant Union harmonisation legislation:**

**Yllä kuvatun vakuutuksen kohde on olennaisten Unionin harmonisaatiolainsäädäntövaatimusten mukainen:**

**Målet med ovanstående deklaration är överensstämmelse med relevant unionslagstiftning om harmonisering:**

**Gjenstanden som erklæringen over gjelder for, er i samsvar med relevante harmoniseringsregler innenfor EU:**

2006/42/EC, 2014/35/EU, 2014/30/EU, 2011/65/EU

6. **References to the relevant harmonised standards used or references to the other technical specifications in relation to which conformity is declared:**

**Viitteet olennaisiin käytössä oleviin harmonisoiuihin standardeihin tai viitteet muihin teknisiin tietoihin, jotka liittyvät vakuutuksen ilmoitukseen:**

**Hänvisningar till de relevanta harmoniserade standarder som används eller hänvisningar till andra tekniska specifikationer enligt vilken överensstämmelse försäkras:**

**Henvísninger til relevante harmoniseringsstandarder som er brukt, eller henvisninger til andre tekniske spesifikasjoner der samsvarserklæring er gitt:**

EN61029-1; EN61029-2-11; EN55014-1; EN55014-2; EN61000-3-2; EN61000-3-11

7. **The person authorized to compile the technical file • Henkilö, joka on valtuutettu teknisen tiedoston kokoamiseen**  
**Den person som är behörig att ställa samman den tekniska dokumentationen • Person med autorisasjon til å sette sammen teknisk fil**

**Name • Nimi • Namn • Navn:** Robert Redfern

**Address • Osoite • Adress • Adresse:** Nap Brands Ltd. Napier House, Unit 7, Corunna Court, Warwick, UK CV34 5HQ

**Signed for and on behalf of • Allekirjoitus ja allekirjoittaja • Signerad och ombud för • Undertegnet for/på vegne av**

**Authorised Representative • Valtuutettu edustaja • Auktoriserad representant • Autorisert representant**



Robert Redfern, Technical Manager

29/03/2019



Manufactured for • Valmistuttaja • Tillverkad för • Produsert for • Toode tud

• Ražošanas pasūtītājs • Kieno užsaky mu pagaminta

Kesko Corporation Group Companies, Kesko Oyj PL 50, 00016 Kesko © Kesko 2019.

Made in China

